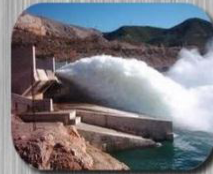


DISCOVERY



Foreign Trade Consultants & Marketing Solutions



KEŞİF DIŞ TİCARET VE PAZARLAMA ÇÖZÜMLERİ

Aydinli Yolu Cad. Bahçelievler Mah. Eryetis Sitesi B/Blok No: 33 Kat:6 Daire: 21 Pendik - İstanbul

Tel: 0090 216 483 35 65 Fax: 0090 216 483 35 26

www.discovery-trd.com email: dscopy@discovery-trd.com

DISCOVERY



Foreign Trade Consultants & Marketing Solutions

DISCOVER YOUR GLOBAL SOLUTION PARTNER

To establish a team for the following of foreign trade procedure (Official legislative procedures , import- export customs clearance procedures, logistics, payment and bank foreign exchange transactions) and sales of industrial products in the international market and to find new markets and customers is difficult and expensive for the Medium and Small Turkish Manufacturers.

Because of this necessity Discovery Foreign Trade Consultant & Marketing Solutions Co. has been established at 2002 in Istanbul.

Main Target and mission of the " Discovery Foreign Trade Co. " to serve their Turkish , European and Middle-Eastern customer for their foreign trade operations and importing and exporting any kind of industrial products the International Markets.

Discovery foreign Trade Co. offer a complete range of global business & marketing solutions to assist clients get where they want to go smoothly , cost and time effectively . Our mission it is to facilitate global business & marketing solutions.

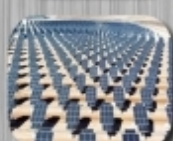
" Discovery Foreign Trade Co. " serve Turkish Manufacturers and Trading Companies to keep in touch Middle-Eastern, East European, Turkic Republics customers with expert team and we find required products of foreign customers from Turkey or International Market by the way of our Head Office in Istanbul , and Branch offices in United States , Germany , Ukraine and Jordan.

All of our supplied products have been used by our customers in their following industrial establishments & sites:

- * Electricity Industry and Machinery,
- * H.V. , L.V. and M.V Electricity Center
- * H.V. , L.V. and M.V Electricity Substations
- * Over Head Lines , Gantries
- * Iron Steel Factories
- * Cement Factories
- * Water Pump Stations
- * Sewage Stations,
- * Solar , Wind , Hydro , Thermal , Oil , Gas and Coal Power Plants
- * High Way , Rail Way
- * High Buildings, Hotels and Plazas.



Please check List of Our Product Range and if you have any inquiry please do not hesitate to contact with us.



KEŞİF DIŞ TİCARET VE PAZARLAMA ÇÖZÜMLERİ

Aydınlı Yolu Cad. Bahçelievler Mah. Eryetis Sitesi B/Blok No: 33 Kat:6 Daire: 21 Pendik - İstanbul

Tel: 0090 216 483 35 65 Fax: 0090 216 483 35 26

www.discovery-trd.com email: dscovetry@discovery-trd.com

U-DESTEK
U-DESTEK

U DESTEK



Yüzey koruma:

Sıcak daldırma galvaniz TS 914

Pregalvaniz TS 822

Beyaz elektro galvaniz TS 149

Sarı elektro galvaniz TS 149

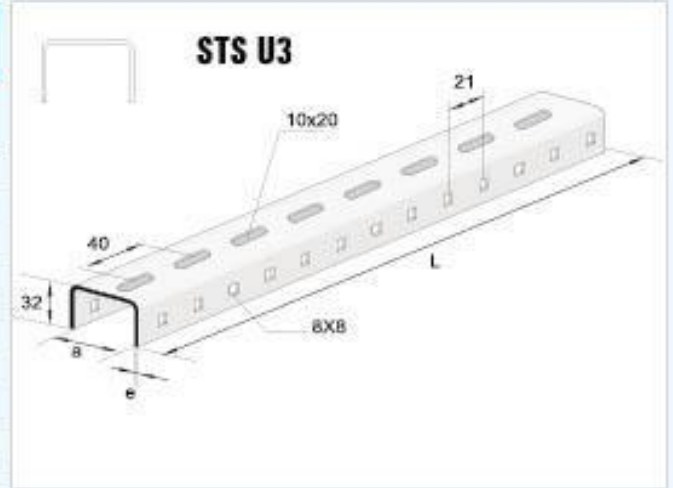
Elektrostatik toz boya

DISCOVERY

U-DESTEKLER
U-SUPPORTS

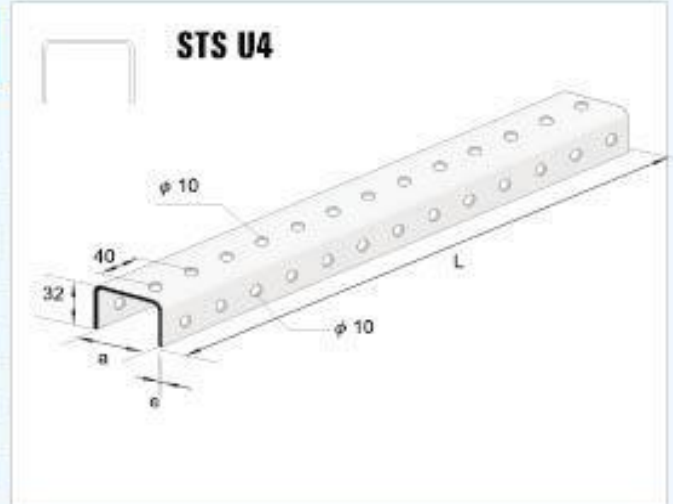
STS U3

SİP KODU (Order Code)	L (mm)	a (mm)	e (mm)	kg/ad. (kg/pce.)
U3-25	250	52	2,00	0,380
U3-50	500	52	2,00	0,760
U3-75	750	52	2,00	1,140
U3-100	1000	52	2,00	1,520
U3-125	1250	52	2,00	1,900
U3-150	1500	52	2,00	2,280
U3-175	1750	52	2,00	2,660
U3-200	2000	52	2,00	3,040
U3-225	2250	52	2,00	3,420
U3-250	2500	52	2,00	3,800

U-DESTEKLER
U-SUPPORTS

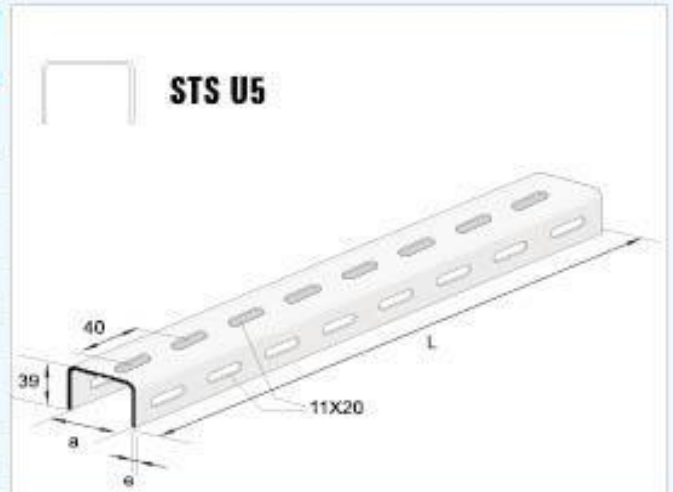
STS U4

SİP KODU (Order Code)	L (mm)	a (mm)	e (mm)	kg/ad. (kg/pce.)
U4-25	250	48	2,00	0,390
U4-50	500	48	2,00	0,780
U4-75	750	48	2,00	1,170
U4-100	1000	48	2,00	1,560
U4-125	1250	48	2,00	1,950
U4-150	1500	48	2,00	2,340
U4-175	1750	48	2,00	2,730
U4-200	2000	48	2,00	3,120
U4-225	2250	48	2,00	3,510
U4-250	2500	48	2,00	3,900

U-DESTEKLER
U-SUPPORTS

STS U5

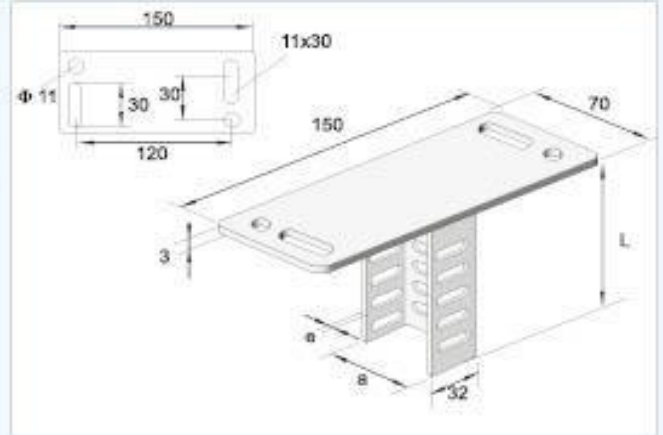
SİP KODU (Order Code)	L (mm)	a (mm)	e (mm)	kg/ad. (kg/pce.)
U5-25	250	56	2,00	0,415
U5-50	500	56	2,00	0,830
U5-75	750	56	2,00	1,245
U5-100	1000	56	2,00	1,650
U5-125	1250	56	2,00	2,065
U5-150	1500	56	2,00	2,480
U5-175	1750	56	2,00	2,895
U5-200	2000	56	2,00	3,310
U5-225	2250	56	2,00	3,725
U5-250	2500	56	2,00	4,140



DISCOVERY

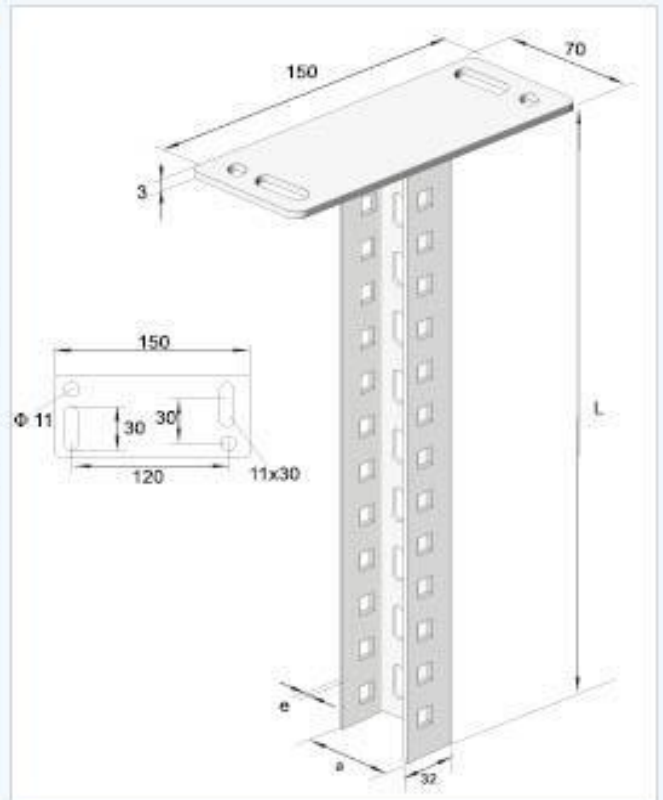
U-PROFİL TAVAN DESTEĞİ U-HANGING SUPPORT

SİP. KODU (Order Code)	L (mm)	a (mm)	e (mm)	kg/ad. (kg/pce.)
U1	120	44	2,00	0,420



U-PROFİL TAVAN DESTEKLERİ U-HANGING SUPPORTS

SİP. KODU (Order Code)	L (mm)	a (mm)	e (mm)	kg/ad. (kg/pce.)
U2-20	200	52	2,00	0,580
U2-30	300	52	2,00	0,730
U2-40	400	52	2,00	0,880
U2-50	500	52	2,00	1,030
U2-60	600	52	2,00	1,180
U2-70	700	52	2,00	1,330
U2-80	800	52	2,00	1,480
U2-90	900	52	2,00	1,630
U2-100	1000	52	2,00	1,780
U2-150	1500	52	2,00	2,530
U2-200	2000	52	2,00	3,280
U2-250	2500	52	2,00	4,030



U DESTEK STATİK DEĞERLERİ U SUPPORT STATIC VALUES

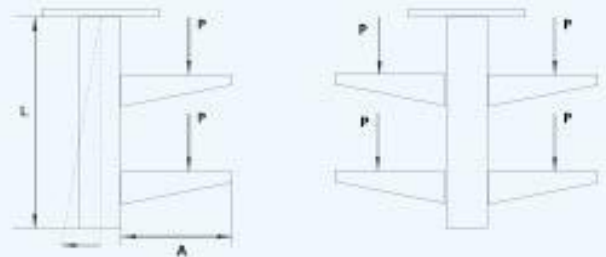
TEK TARAFLI YÜKLEMEDE (UNILATERAL LOADING)

KONSOL UZUNLUĞU (A) LENGTH OF BRACKET (A)	200	300	400	500	600	800	1000
P (kg)	80	160	240	320	400	560	800
F(mm) L=500mm	4	6	8	10	12	16	20
F(mm) L=1000mm	8	14	20	26	32	44	60
F(mm) L=1500mm	11	20	28	36	44	60	80

ÇİFT TARAFLI YÜKLEMEDE (DOUBLE SIDES LOADING) (F=0)

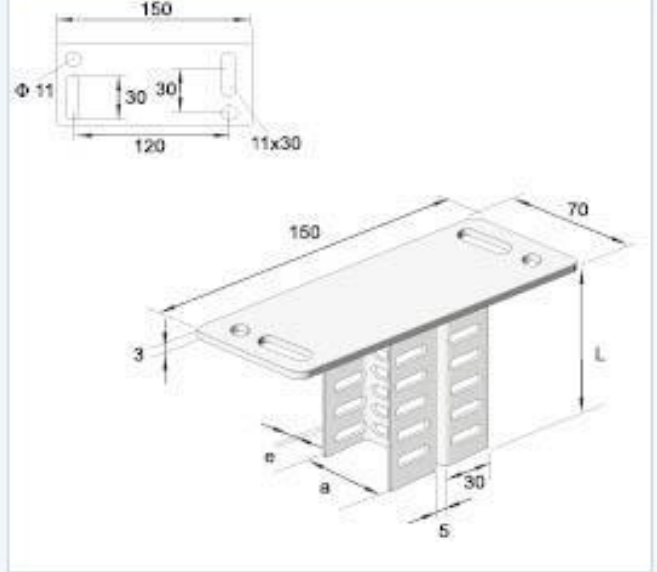
KONSOL UZUNLUĞU (A) LENGTH OF BRACKET (A)	200	300	400	500	600	800	1000
P (kg)	160	320	480	640	800	1120	1600

Ölçüler mm. dir. (Dimensions in mm.)



U-PROFİL ÇİFTLİ TAVAN DESTEĞİ
U-HANGING DOUBLE SUPPORTS

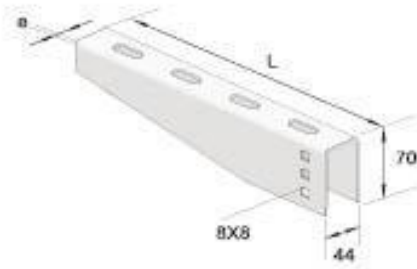
SİP. KODU (Order Code)	L (mm)	a (mm)	e (mm)	kg/ad. (kg/pce.)
U1-D	120	44	2,00	0,775

**U-PROFİL KONSOLLARI**
BRACKETS FOR PLUGGING ON TO U-SUPPORT TYPE

SİP. KODU (Order Code)	L (mm)	a (mm)	e (mm)	kg/ad. (kg/pce.)
SK 07	105	44	1,50	0,180
SK 10	135	44	1,50	0,237
SK 12	155	44	1,50	0,273
SK 16	195	44	1,50	0,346
SK 20	235	44	1,50	0,419
SK 26	295	44	1,50	0,530

U-PROFİL KONSOLLARI
BRACKETS FOR PLUGGING ON TO U-SUPPORT TYPE

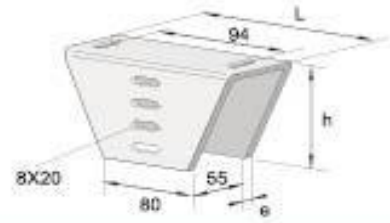
SİP. KODU (Order Code)	L (mm)	a (mm)	e (mm)	kg/ad. (kg/pce.)
SK 30	335	44	2,00	0.802
SK 40	435	44	2,00	1.045
SK 50	535	44	2,00	1.290
SK 60	635	44	2,00	1.530



DISCOVERY

KANAL ASKI SİSTEMLERİ BRACKET HANGING SYSTEMS

SİP. KODU (Order Code)	L (mm)	h (mm)	e (mm)	kg/ad. (kg/pce.)
S1	120	80	2,00	0,390



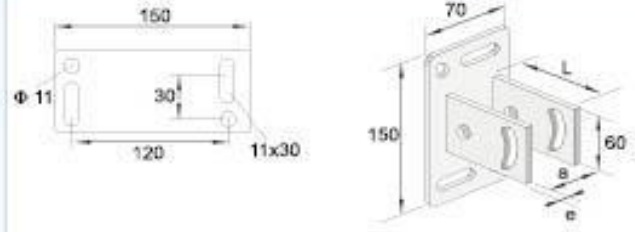
KANAL ASKI SİSTEMLERİ BRACKET HANGING SYSTEMS

SİP. KODU (Order Code)	L (mm)	h (mm)	e (mm)	kg/ad. (kg/pce.)
S1-D	120	80	2,00	0,390



AYARLANABİLEN DUVAR KONSOLU ADJUSTABLE WALL BRACKET

SİP. KODU (Order Code)	L (mm)	a (mm)	e (mm)	kg/ad. (kg/pce.)
SHP	80	55	3,00	0,454



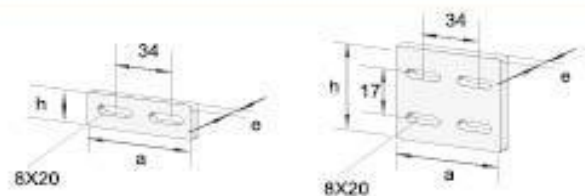
KANAL ASKI SİSTEMLERİ BRACKET HANGING SYSTEMS

SİP. KODU (Order Code)	a (mm)	h (mm)	e (mm)	kg/ad. (kg/pce.)
ST	120	60	2,00	0,340

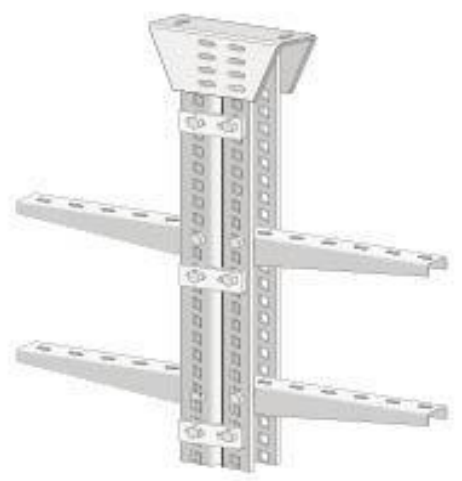
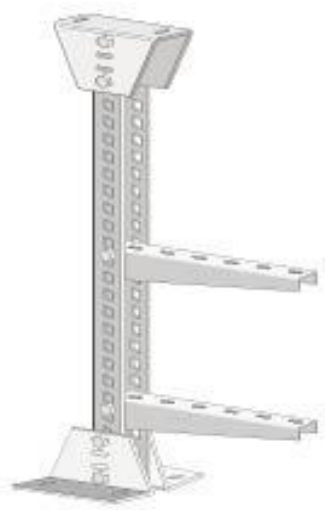
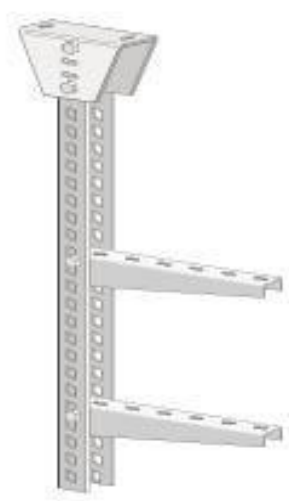
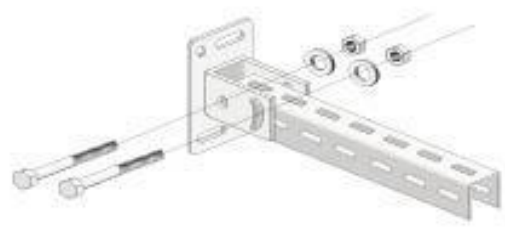
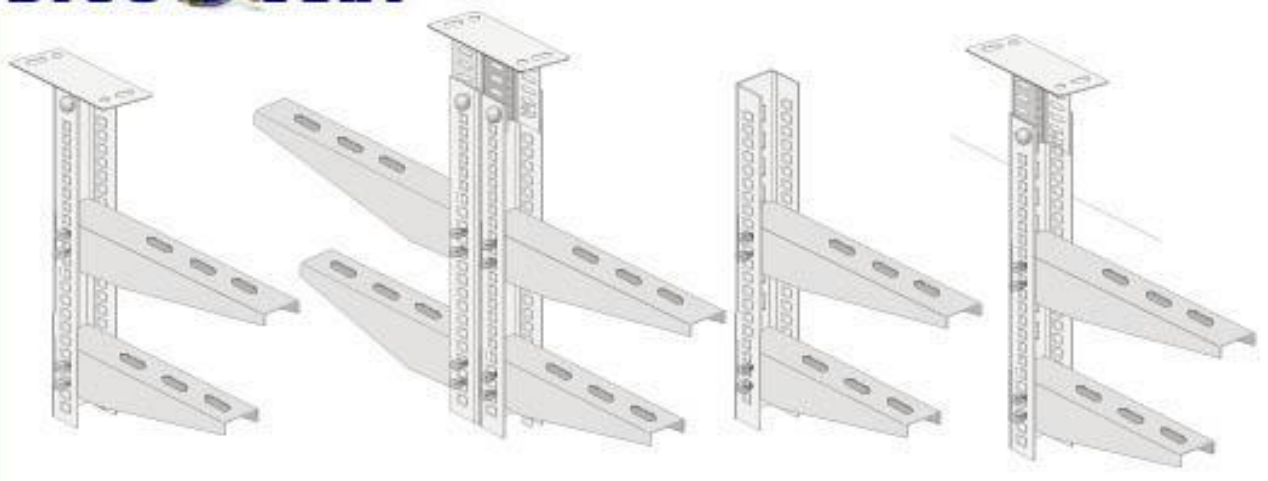


KANAL ASKI SİSTEMLERİ BRACKET HANGING SYSTEMS

SİP. KODU (Order Code)	a (mm)	h (mm)	e (mm)	kg/ad. (kg/pce.)
S-EK1	62	30	3,00	0,040
S-EK2	62	50	3,00	0,070

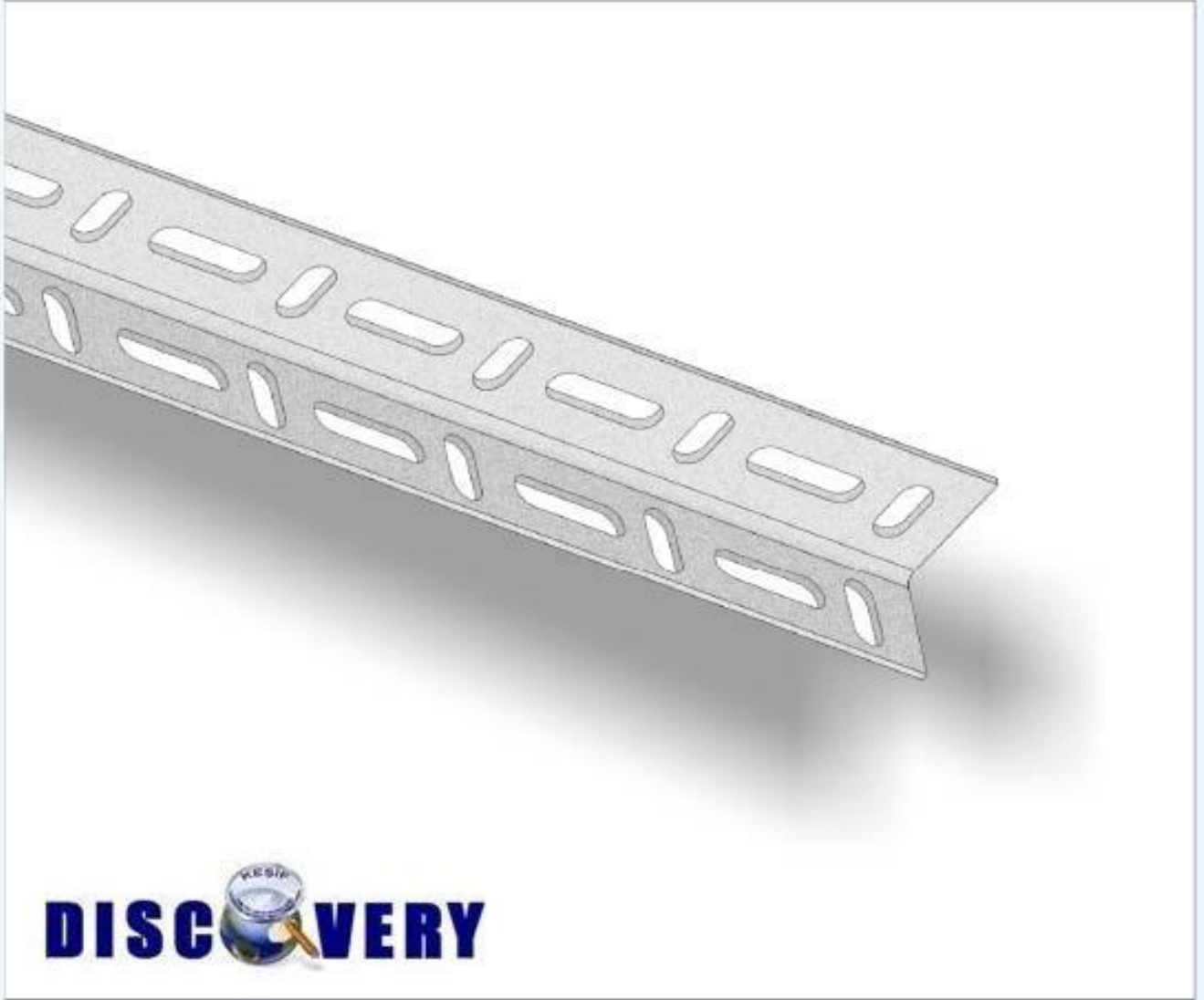


DISCOVERY



L-DESTEK
L-SUPPORT

L-DESTEK



DISCOVERY

Yüzey koruma:

Sıcak daldırma galvaniz TS 914

Pregalvaniz TS 822

Beyaz elektro galvaniz TS 149

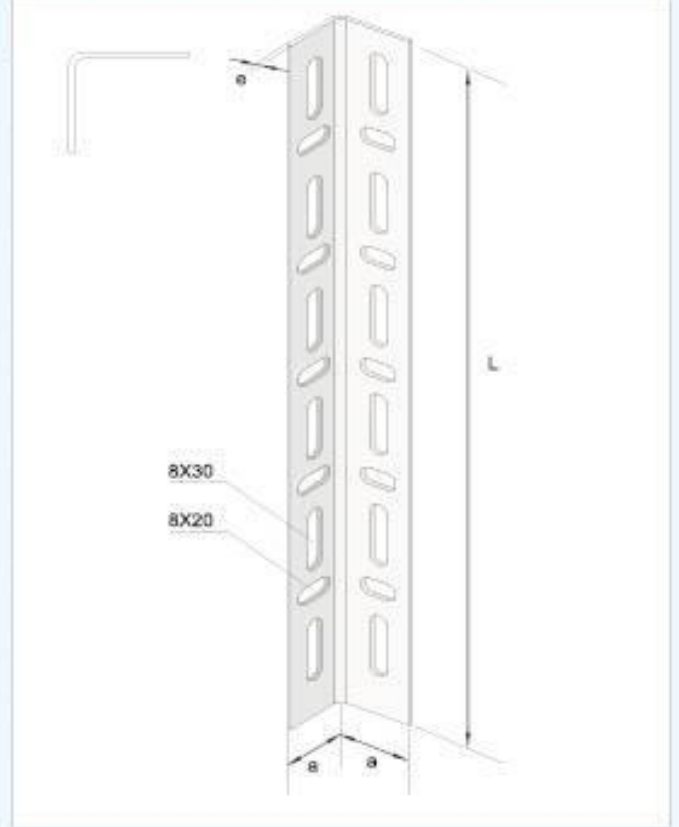
Sarı elektro galvaniz TS 149

Elektrostatik toz boya

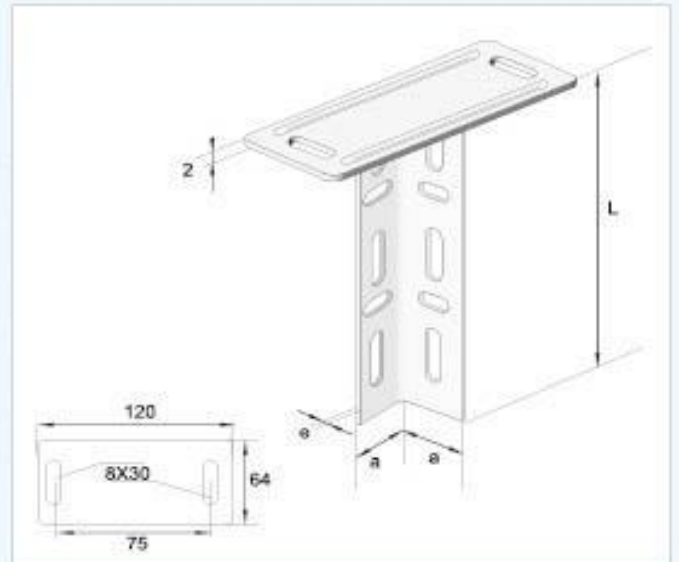
DISCOVERY

L-DESTEKLER
L-SUPPORTS

SİP. KODU (Order Code)	L (mm)	a (mm)	e (mm)	kg/ad (kg/pce.)
K 3-20	200	40	1,50	0,153
K 3-30	300	40	1,50	0,230
K 3-40	400	40	1,50	0,300
K 3-50	500	40	1,50	0,380
K 3-60	600	40	1,50	0,460
K 3-70	700	40	1,50	0,535
K 3-80	800	40	1,50	0,612
K 3-90	900	40	1,50	0,688
K 3-100	1000	40	1,50	0,765
K 3-110	1100	40	1,50	0,840
K 3-120	1200	40	1,50	0,915
K 3-130	1300	40	1,50	0,995
K 3-140	1400	40	1,50	1,070
K 3-150	1500	40	1,50	1,148
K 3-160	1600	40	1,50	1,225
K 3-170	1700	40	1,50	1,300
K 3-180	1800	40	1,50	1,370
K 3-190	1900	40	1,50	1,450
K 3-200	2000	40	1,50	1,530

L-PROFİL TAVAN DESTEKLERİ
L-HANGING SUPPORTS

SİP. KODU (Order Code)	L (mm)	a (mm)	e (mm)	kg/ad (kg/pce.)
K 2-40	400	40	1,50	0,425
K 2-50	500	40	1,50	0,496
K 2-60	600	40	1,50	0,572
K 2-70	700	40	1,50	0,660
K 2-80	800	40	1,50	0,740
K 2-90	900	40	1,50	0,825
K 2-100	1000	40	1,50	0,890
K 2-150	1500	40	1,50	1,275
K 2-200	2000	40	1,50	1,655
K 2-250	2500	40	1,50	2,035



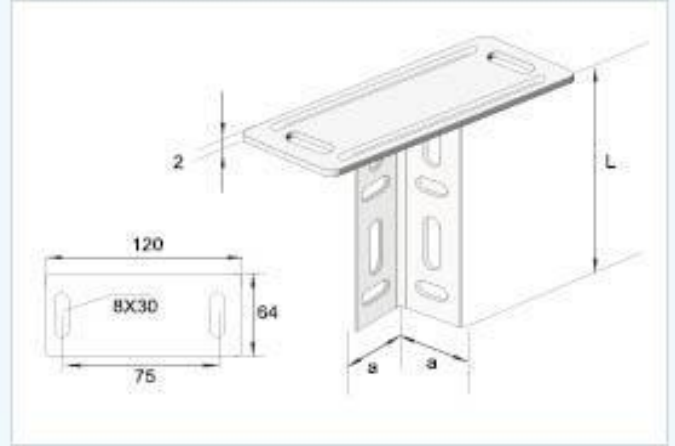
DISCOVERY

L DESTEK L SUPPORT

SİP. KODU (Order Code)	L (mm)	a (mm)	e (mm)	kg/ad (kg/pce.)
K 1	120	40	1,50	0,190

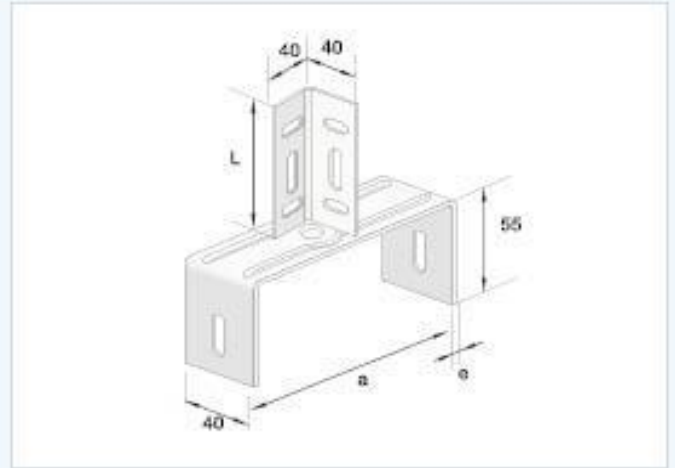
L-DESTEK L-SUPPORT

L-DESTEK



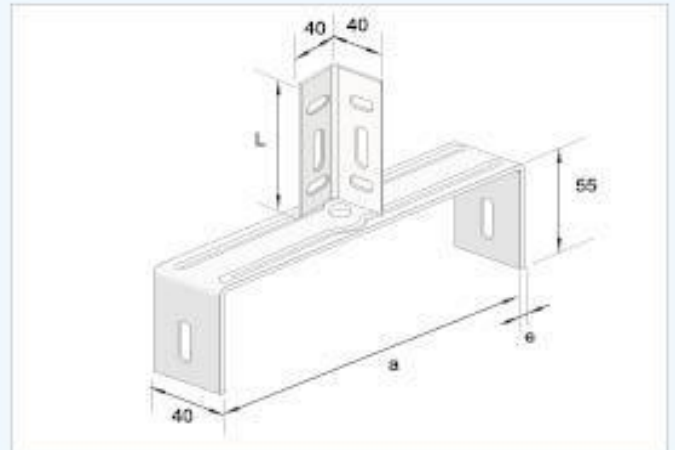
KANAL ASKI TAŞIYICILAR TRAY HANGING SUPPORT

SİP. KODU (Order Code)	L (mm)	a (mm)	e (mm)	kg/ad (kg/pce.)
KK 05	120	55	1,50	0,165
KK 07	120	75	1,50	0,173
KK 10	120	105	1,50	0,185
KK 12	120	125	1,50	0,195

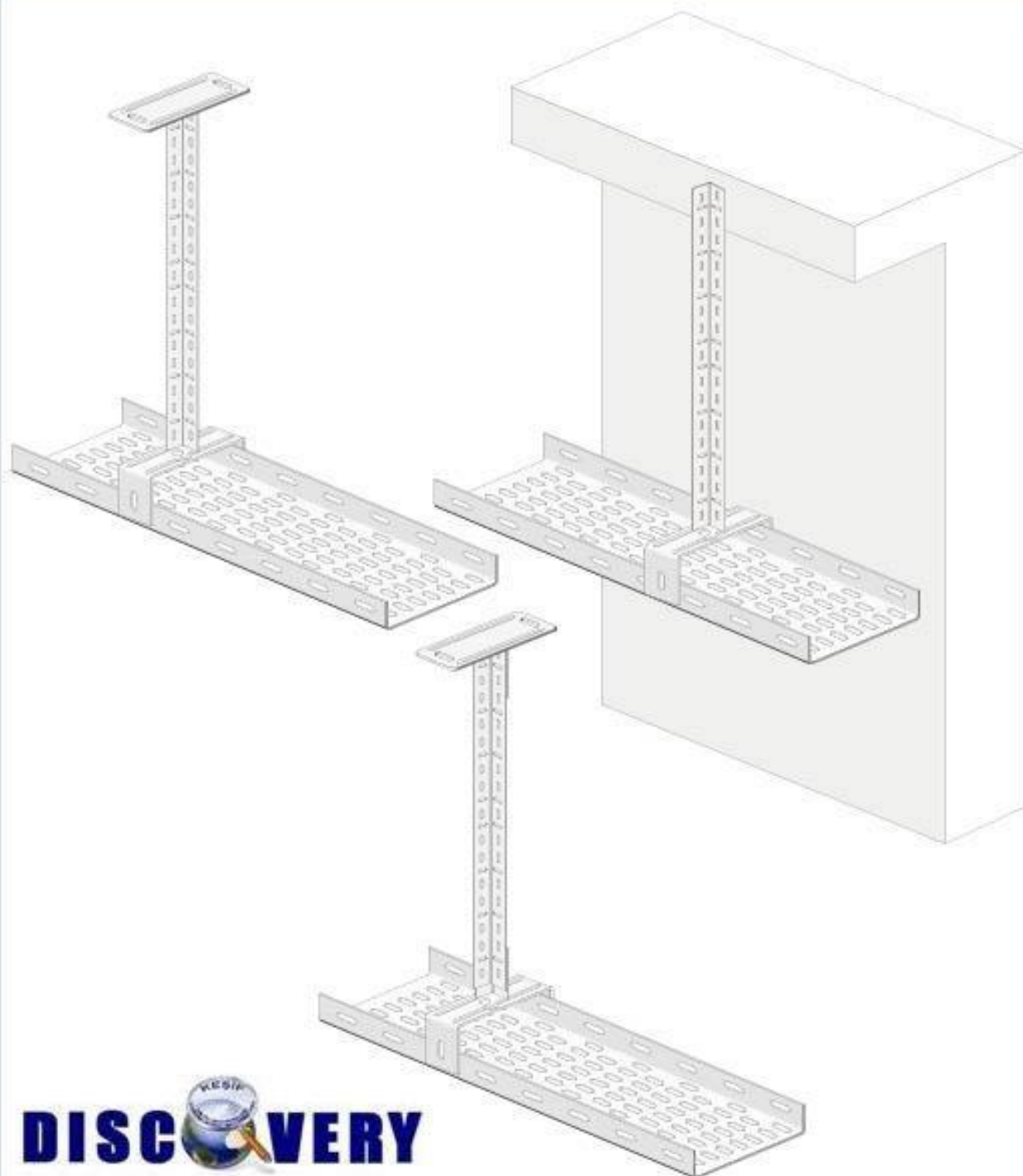


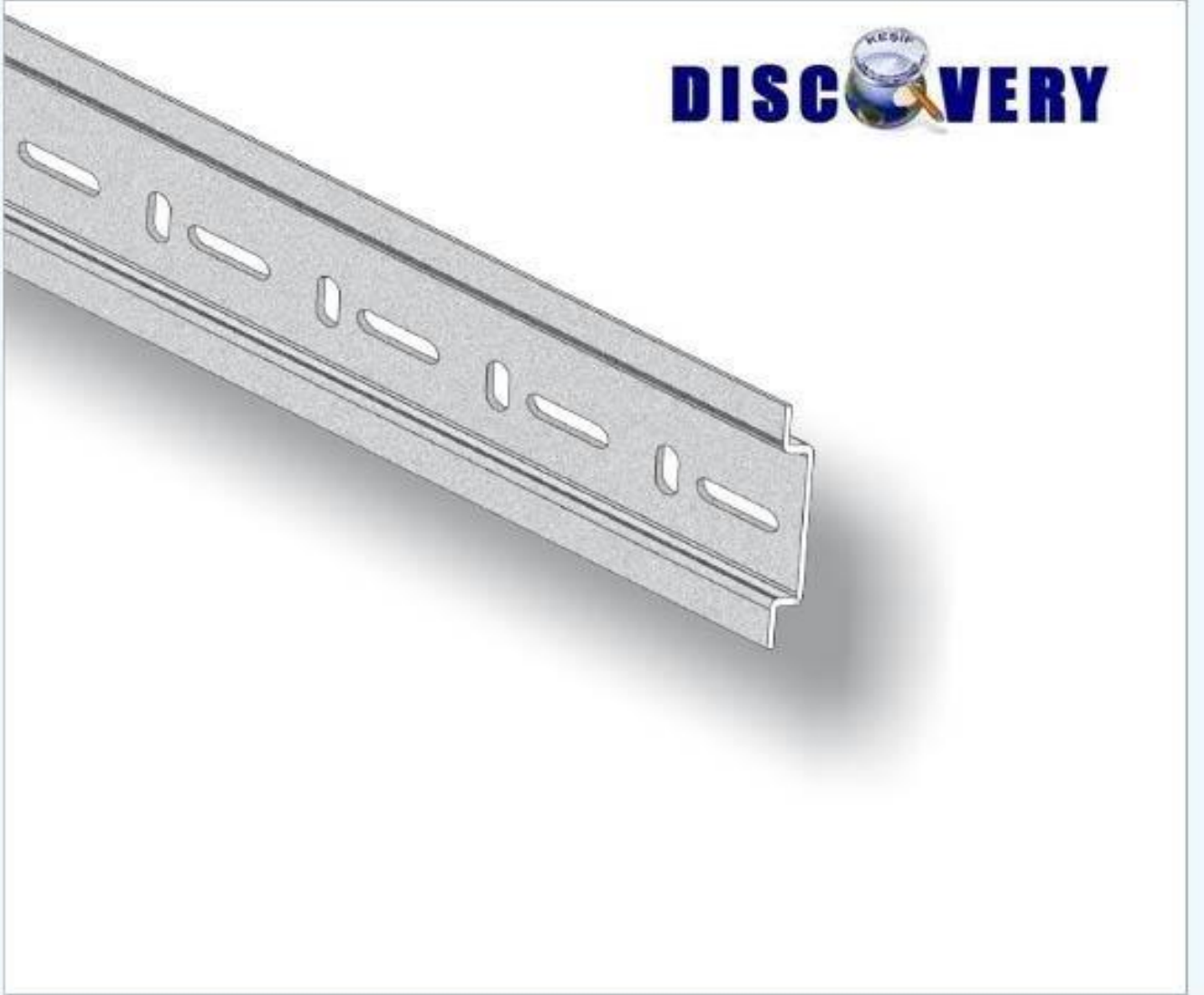
KANAL ASKI TAŞIYICILAR TRAY HANGING SUPPORT

SİP. KODU (Order Code)	L (mm)	a (mm)	e (mm)	kg/ad (kg/pce.)
KK 16	120	165	2,00	0,250
KK 20	120	205	2,00	0,271
KK 26	120	265	2,00	0,510
KK 30	120	305	2,00	0,560



MONTAJ ÖRNEKLERİ
MOUNTING EXAMPLES





Yüzey koruma:

Sıcak daldırma galvaniz TS 914

Pregalvaniz TS 822

Beyaz elektro galvaniz TS 149

Sarı elektro galvaniz TS 149

Elektrostatik toz boya

W-DESTEKLER
W-SUPPORTS

SİP. KODU (Order Code)	L (mm)	a (mm)	e (mm)	kg/ad (kg/pce.)
W3-40	400	44	1,50	0,204
W3-50	500	44	1,50	0,255
W3-60	600	44	1,50	0,306
W3-70	700	44	1,50	0,355
W3-80	800	44	1,50	0,410
W3-90	900	44	1,50	0,460
W3-100	1000	44	1,50	0,510
W3-150	1500	44	1,50	0,765
W3-200	2000	44	1,50	1,020
W3-250	2500	44	1,50	1,275

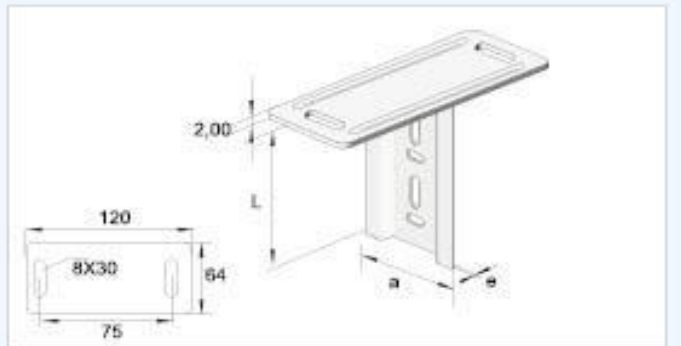
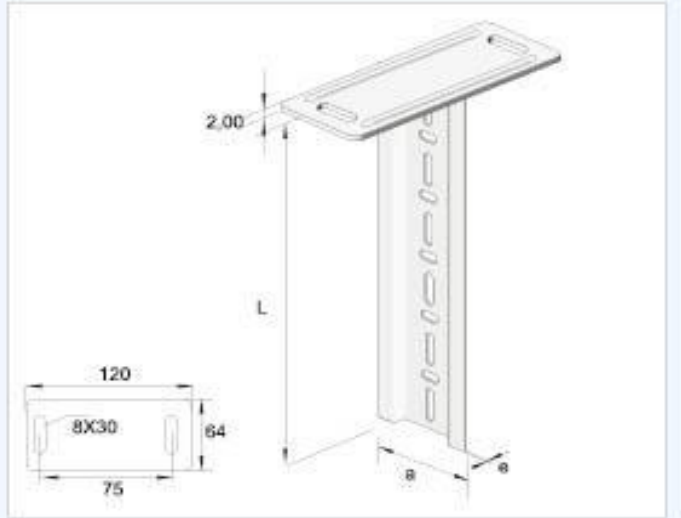
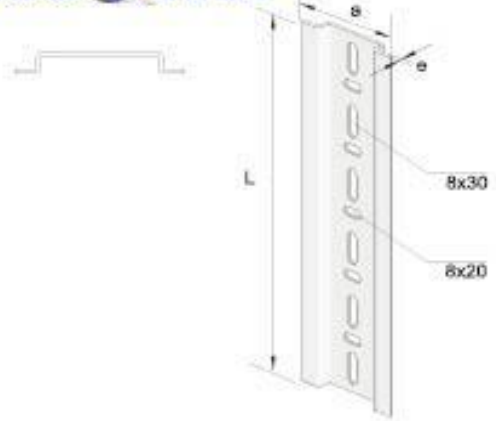
W-PROFİL TAVAN DESTEKLERİ
W-HANGING SUPPORTS

SİP. KODU (Order Code)	L (mm)	a (mm)	e (mm)	kg/ad (kg/pce.)
W2-40	400	44	1,50	0,317
W2-50	500	44	1,50	0,368
W2-60	600	44	1,50	0,419
W2-70	700	44	1,50	0,475
W2-80	800	44	1,50	0,530
W2-90	900	44	1,50	0,580
W2-100	1000	44	1,50	0,630
W2-150	1500	44	1,50	0,885
W2-200	2000	44	1,50	1,140
W2-250	2500	44	1,50	1,395

W-PROFİL TAVAN DESTEKLERİ
W-HANGING SUPPORTS

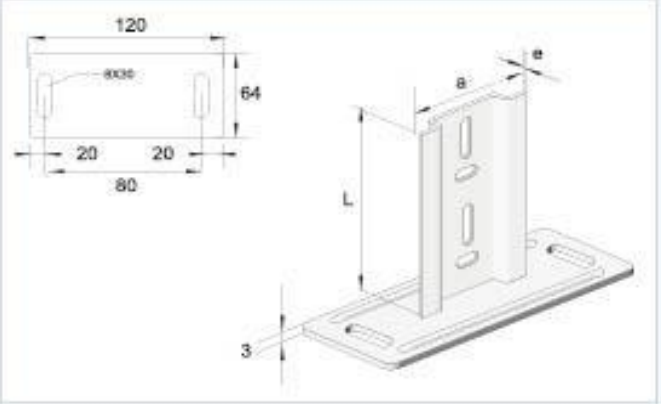
SİP. KODU (Order Code)	L (mm)	a (mm)	e (mm)	kg/ad (kg/pce.)
W1	120	44	1,50	0,185

DISCOVERY



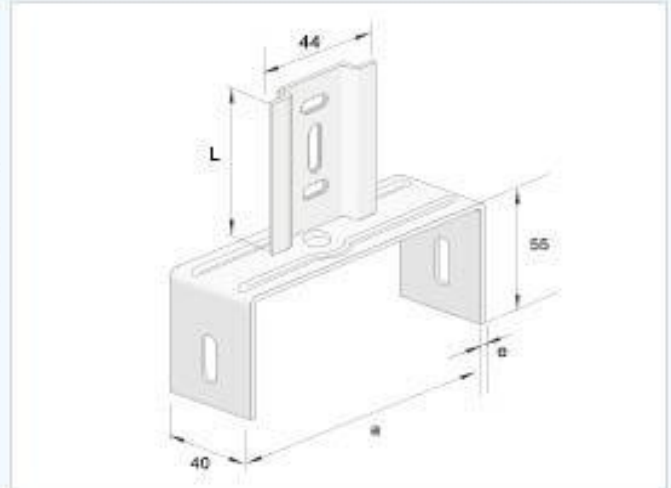
KANAL ASKI TAŞIYICILAR TRAY HANGING SUPPORTS

SİP. KODU (Order Code)	L (mm)	a (mm)	e (mm)	kg/ad (kg/pce.)
W1-T	120	44	2,00	0,185



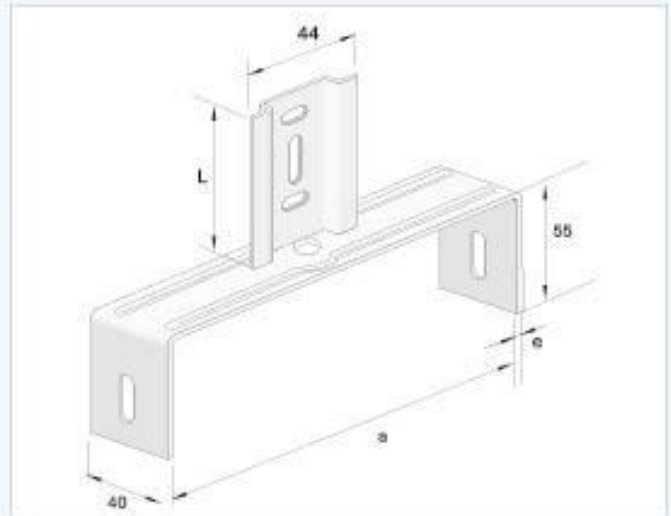
KANAL ASKI TAŞIYICILAR TRAY HANGING SUPPORTS

SİP. KODU (Order Code)	L (mm)	a (mm)	e (mm)	kg/ad (kg/pce.)
WK 05	120	55	1,50	0,132
WK 07	120	75	1,50	0,140
WK 10	120	105	1,50	0,150
WK 12	120	125	1,50	0,160

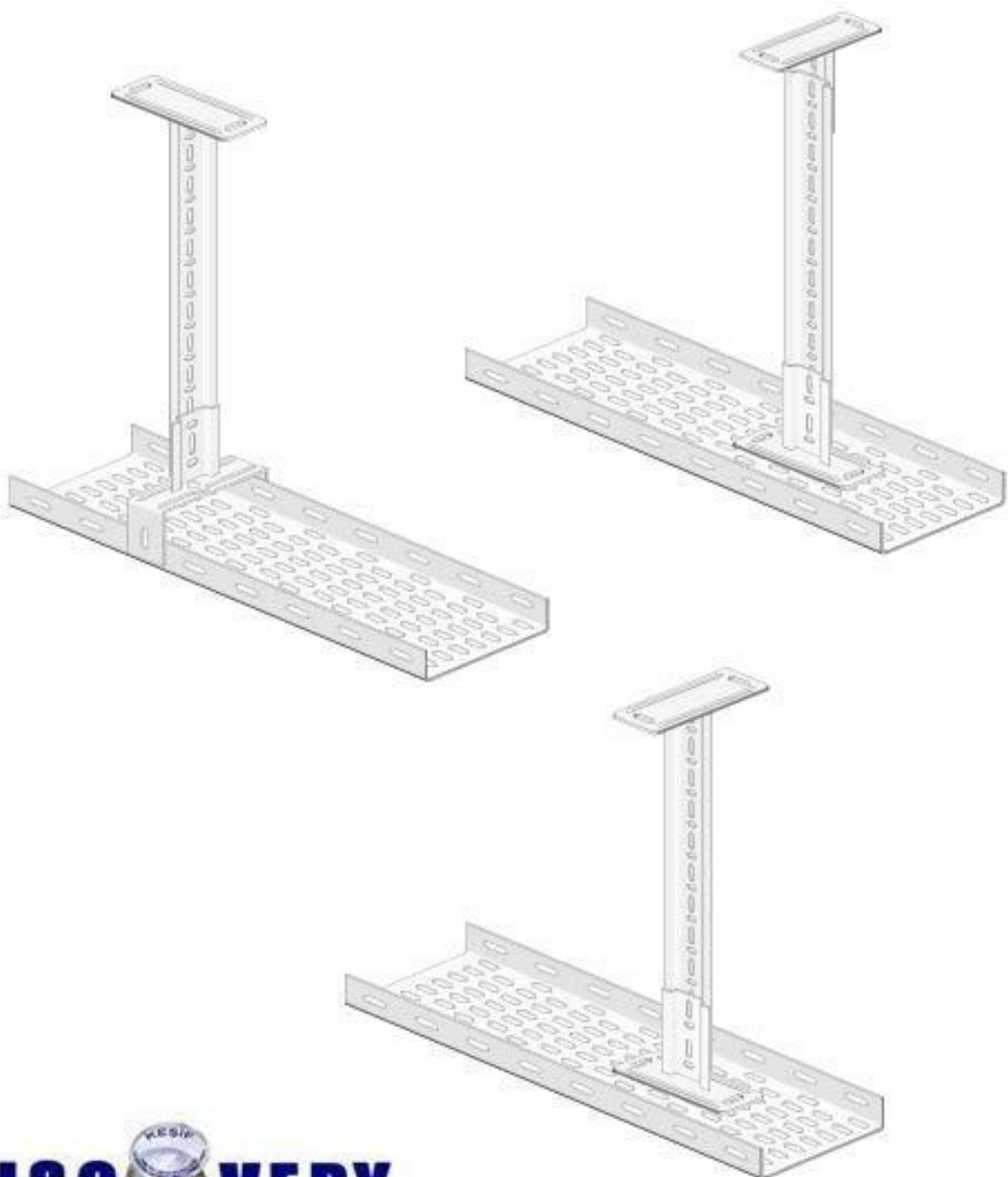


KANAL ASKI TAŞIYICILAR TRAY HANGING SUPPORTS

SİP. KODU (Order Code)	L (mm)	a (mm)	e (mm)	kg/ad (kg/pce.)
WK 16	120	165	2,00	0,215
WK 20	120	205	2,00	0,240
WK 26	120	265	2,00	0,480
WK 30	120	305	2,00	0,530



MONTAJ ÖRNEKLERİ
MOUNTING EXAMPLES



ASKI TİJLERİ THREADED HANGING RODS

TİJ



Yüzey koruma:

Sıcak daldırma galvaniz TS 914

Pregalvaniz TS 822

Beyaz elektro galvaniz TS 149

Sarı elektro galvaniz TS 149

Elektrostatik toz boya

ASKI TİJLERİ THREADED HANGING RODS

ASKI TİJLERİ THREADED HANGING RODS

SİP. KODU (Order Code)	L (mm)	ÖLÇÜ (Thread)	kg/ad (kg/pce.)
R8X 100	1000	M8	0,300
R8X 200	2000	M8	0,600
R10X 50	500	M10	0,240
R10X 100	1000	M10	0,480
R10X 200	2000	M10	0,960
R12X 50	500	M12	0,350
R12X 100	1000	M12	0,700
R12X 200	2000	M12	1,400

DISCOVERY



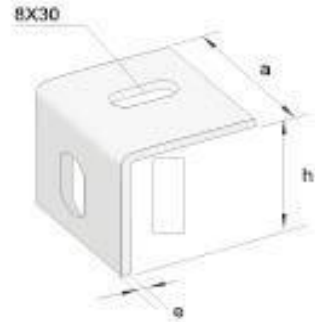
UZATMA KOVANLARI VE SOMUNLARI COUPLERS AND NUTS

SİP. KODU (Order Code)	ÖLÇÜ (Thread)	kg/ad (kg/pce.)
R8 UK uzatma Kovanı/Coupler	8	0,018
R10 UK uzatma Kovanı/Coupler	10	0,030
R12 UK uzatma Kovanı/Coupler	12	0,040
SM 8 somun/ Nut	8	0,005
SM 10 somun/ Nut	10	0,010
SM 12 somun/ Nut	12	0,016
M8-P	8	0,001
M10-P	10	0,003
M12-P	12	0,005
C10X25	10	0,030



L ASKI ELEMANI L HANGING UNIT

SİP. KODU (Order Code)	a (mm)	h (mm)	e (mm)	kg/ad (kg/pce.)
LK1	40	40	3,00	0,075
LK2	40	60	3,00	0,095



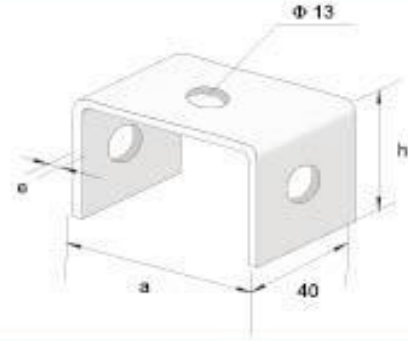
ASKI TİJLERİ THREADED HANGING RODS

TİJ



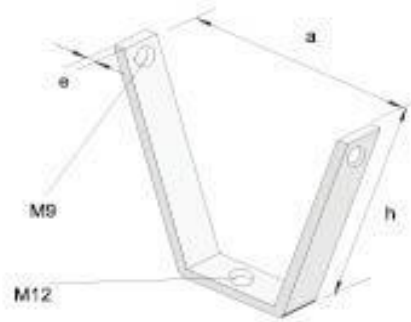
TAVAN TESPİT HEAD PLATE

SİP. KODU (Order Code)	a (mm)	h (mm)	e (mm)	kg/ad. (kg/pce.)
RTA	60	45	3,0	0,135



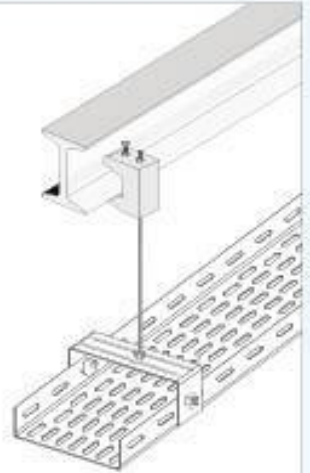
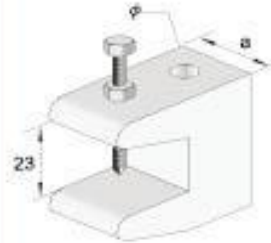
TAVAN TESPİT HEAD PLATE

SİP. KODU (Order Code)	a (mm)	h (mm)	e (mm)	kg/ad. (kg/pce.)
STA	90	100	3,0	0,150



I-PROFİL BAĞLANTI ELEMANLARI ACCESSORIES FOR I-SUPPORT

SİP. KODU (Order Code)	h (mm)	a (mm)	Φ (mm)	kg/ad. (kg/pce.)
RA 1	45	23	8	
RA 2	45	23	10	



ASKI TİJLERİ THREADED HANGING RODS

LASTIKLI BORU KELEPÇELERİ PIPE CLAMPS WITH RUBBER

SİP. KODU (Order Code)	Anma çapı (Name dia.)	Çap (inch)	sıkılabilir ölçü (tight dia.)	kg/ad (kg/pce.)
BK 20	M8	1/2"	16-23	0,050
BK 25	M8	3/4"	25-32	0,060
BK 30	M8	1"	28-38	0,070
BK 40	M8	1,1/4"	40-50	0,080
BK 50	M8	1,1/2"	45-55	0,090
BK 60	M8	2"	55-85	0,110
BK 80	M10	2,1/2"	76-85	0,120
BK 90	M10	3"	86-95	0,150
BK 100	M10	4"	110-122	0,170
BK 135	M10	5"	136-146	0,190
BK 160	M10	6"	162-168	0,200
BK 215	M12	8"	215-222	0,250

KOPİLYA VE ÇELİK DÜBELLER PIN AND STEEL DOWEL

SİP. KODU (Order Code)		kg/ad (kg/pce.)
ÇDM6	M6 ÇEKME Lİ ÇELİK DÜBEL	0,020
ÇDM8	M8 ÇEKME Lİ ÇELİK DÜBEL	0,040
ÇDM10	M10 ÇEKME Lİ ÇELİK DÜBEL	0,080
ÇDM12	M12 ÇEKME Lİ ÇELİK DÜBEL	0,120
ÇÇDM6	M6 ÇAKMALI ÇELİK DÜBEL	0,011
ÇÇDM8	M8 ÇAKMALI ÇELİK DÜBEL	0,022
ÇÇDM10	M10 ÇAKMALI ÇELİK DÜBEL	0,045
ÇÇDM12	M12 ÇAKMALI ÇELİK DÜBEL	0,080
ÇSDM6	M6 SIKMALI ÇELİK DÜBEL	0,020
ÇSDM8	M8 SIKMALI ÇELİK DÜBEL	0,040
ÇSDM10	M10 SIKMALI ÇELİK DÜBEL	0,080
ÇSDM12	M12 SIKMALI ÇELİK DÜBEL	0,120
S8X80	KOPİLYA	0,035

CIVATA, PUL, SOMUN BOLT, NUT, WASHER

SİP. KODU (Order Code)		kg/ad (kg/pce.)
CS M8X15 B.B. CIVATA+SOMUN		0,012
SM8 SOMUN		0,004
C8X15 BOMBE BAŞLI CIVATA		0,008
M8-P M8 PUL		0,001

DISCOVERY

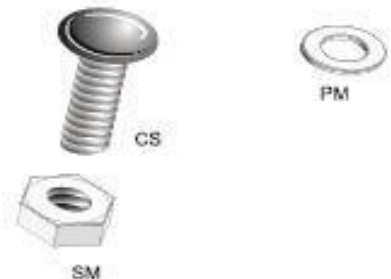


ÇÇD

ÇD

ÇSD

S8X8



CS

PM

SM

ASKI TİJLERİ THREADED HANGING RODS

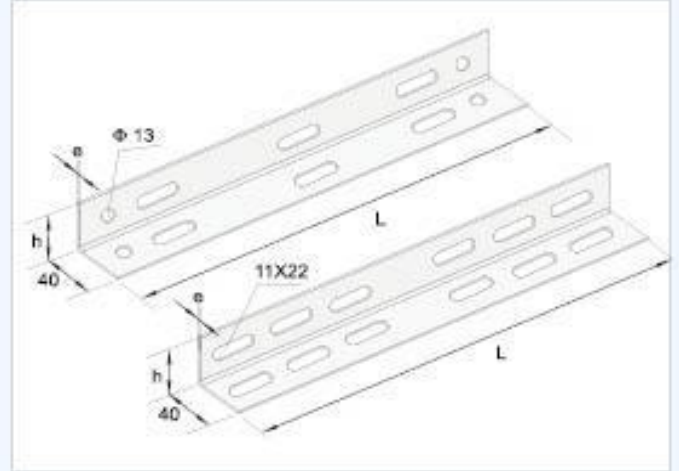
TİJ

DISCOVERY

TİJLİ KANAL TAŞIYICILAR

TRAY CARRIERS WHICH USED WITH THREADED RODS

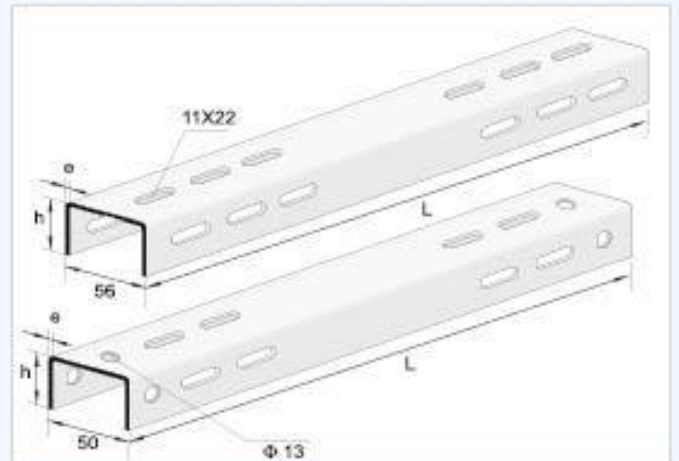
SİP. KODU (Order Code)	L (mm)	h (mm)	e (mm)	kg/ad (kg/pce.)
R10 K	160	40	1,50	0,175
R12 K	180	40	1,50	0,200
R16 K	220	40	1,50	0,250
R20 K	260	40	1,50	0,300
R26 K	320	40	1,50	0,370
R30 K	360	40	2,00	0,415
R40 K	460	40	2,00	0,530
R50 K	560	40	2,00	0,650
R60 K	660	40	2,00	0,762



TİJLİ KANAL TAŞIYICILAR

TRAY CARRIERS WHICH USED WITH THREADED RODS

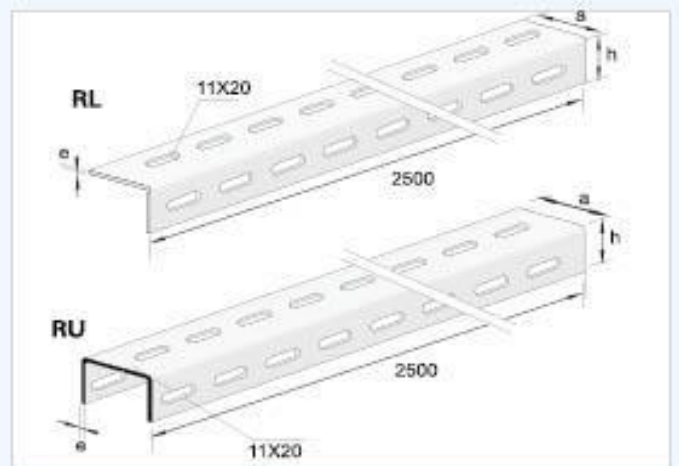
SİP. KODU (Order Code)	L (mm)	h (mm)	e (mm)	kg/ad (kg/pce.)
R10 U	160	39	1,50	0,200
R12 U	180	39	1,50	0,230
R16 U	220	39	1,50	0,280
R20 U	260	39	1,50	0,530
R26 U	320	39	1,50	0,400
R30 U	360	39	2,00	0,600
R40 U	460	39	2,00	0,760
R50 U	560	39	2,00	0,930
R60 U	660	39	2,00	1,100



TİJLİ KANAL TAŞIYICILAR

TRAY CARRIERS WHICH USED WITH THREADED RODS

SİP. KODU (Order Code)	a (mm)	h (mm)	e (mm)	kg/mt (kg/mt)
R1L	40	20	1,50	0,635
R2L	40	20	2,00	0,848
R3L	40	20	3,00	1,272
R4U	40	20	1,50	0,848
R5U	40	20	2,00	1,130
R6U	40	20	3,00	1,695

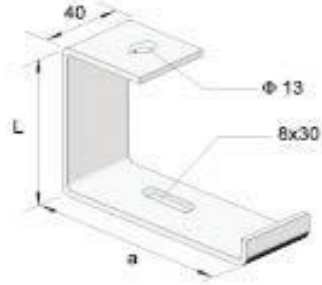


ASKI TİJLERİ THREADED HANGING RODS

DISCOVERY

TİJLİ KANAL TAŞIYICILAR TRAY CARRIERS WHICH USED WITH THREADED RODS

SİP. KODU (Order Code)	a (mm)	L (mm)	e (mm)	kg/ad (kg/pce.)
R 05Y	60	110	3,00	0,195
R 07Y	80	110	3,00	0,235
R 10Y	110	110	3,00	0,286
R 12Y	130	110	3,00	0,320
R 16Y	170	110	3,00	0,390
R 20Y	210	110	3,00	0,460



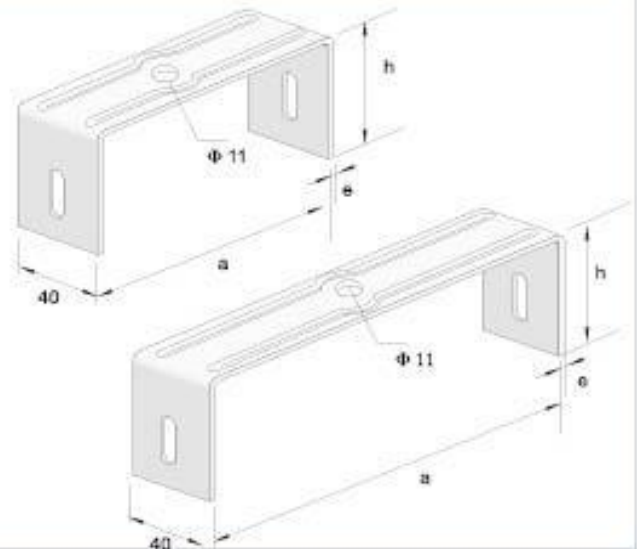
TİJLİ KANAL TAŞIYICILAR TRAY CARRIERS WHICH USED WITH THREADED RODS

SİP. KODU (Order Code)	a (mm)	L (mm)	e (mm)	kg/ad (kg/pce.)
R 05D	60	45	3,00	0,195
R 07D	80	45	3,00	0,235
R 10D	110	45	3,00	0,286
R 12D	130	45	3,00	0,320
R 16D	170	45	3,00	0,390
R 20D	210	45	3,00	0,460

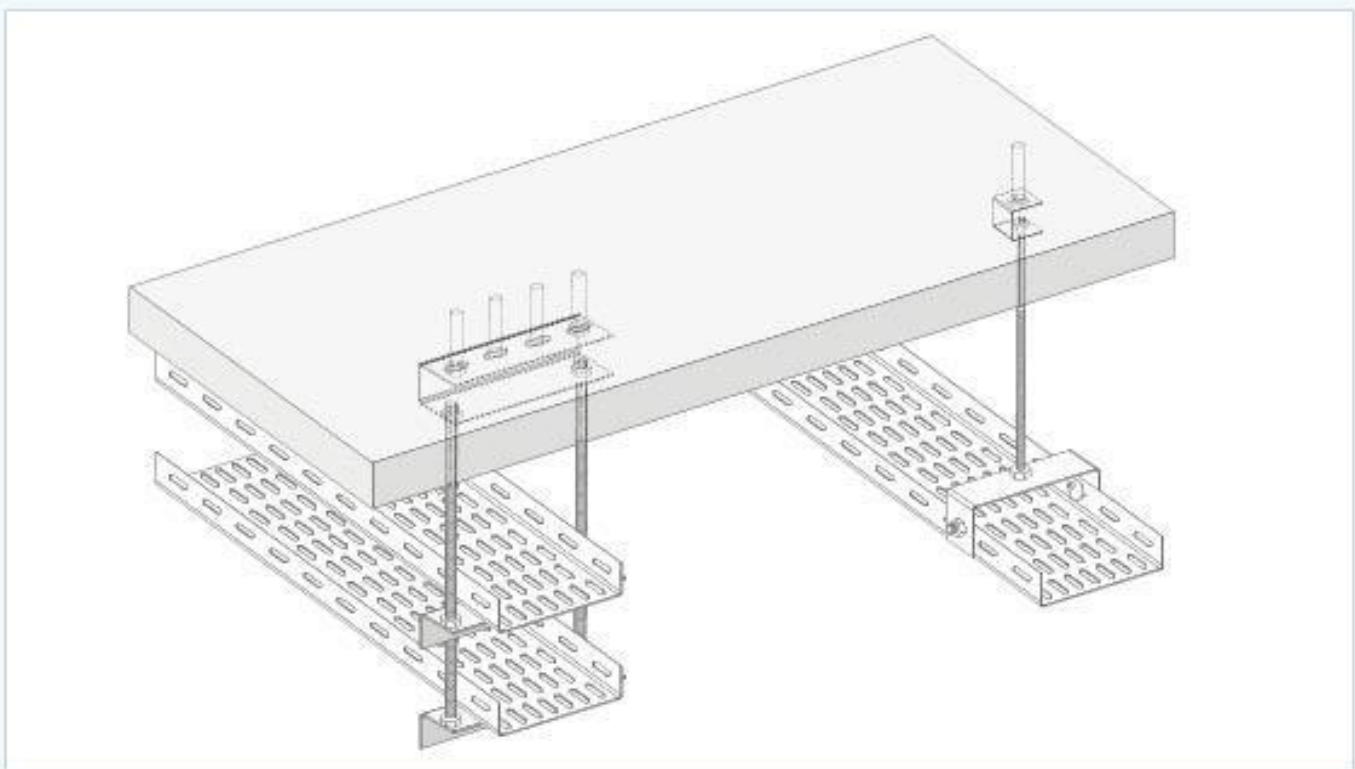


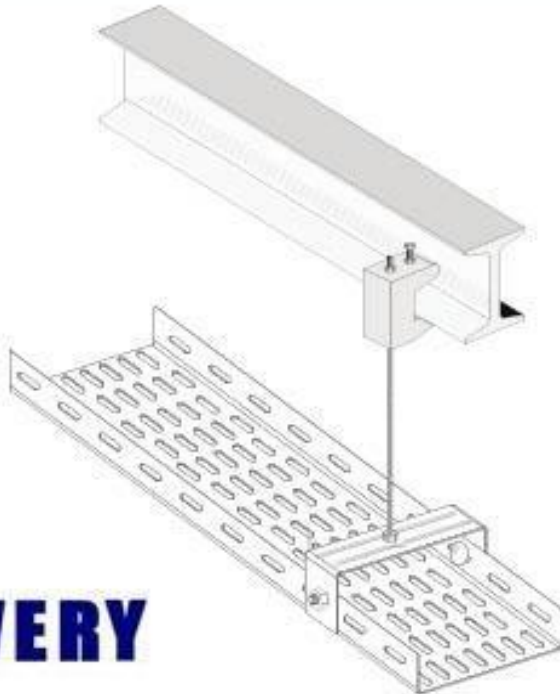
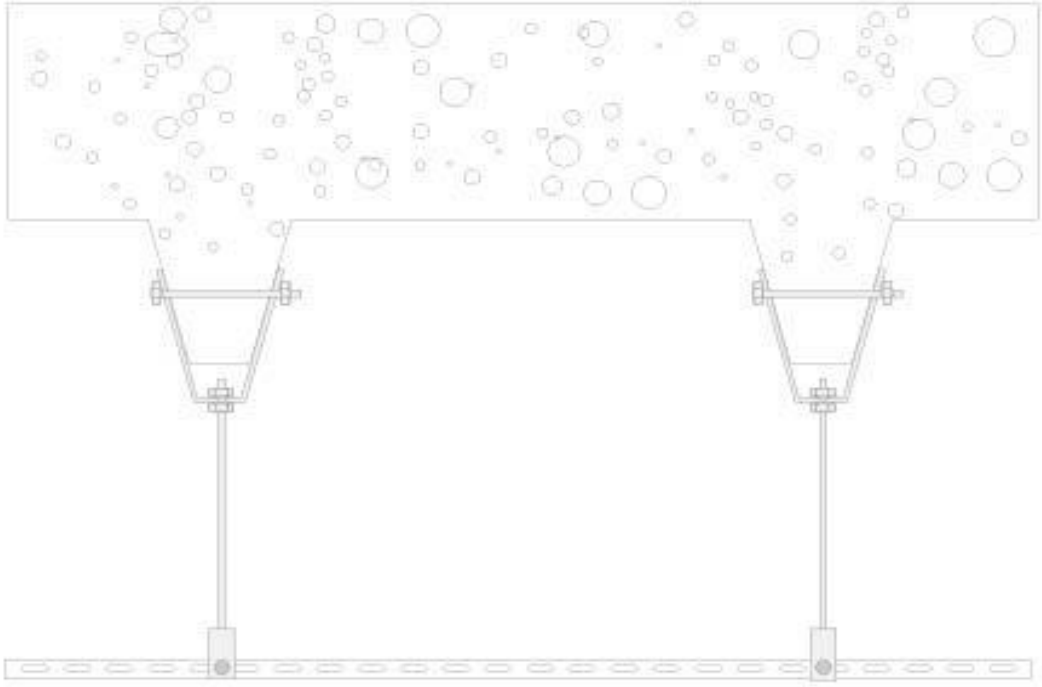
TİJLİ KANAL TAŞIYICILAR TRAY CARRIERS WHICH USED WITH THREADED RODS

SİP. KODU (Order Code)	h (mm)	a (mm)	e (mm)	kg/ad (kg/pce.)
RK 05	57	55	1,50	0,080
RK 07	57	75	1,50	0,090
RK 10	57	105	1,50	0,100
RK 12	57	125	1,50	0,113
RK 16	57	165	2,00	0,175
RK 20	57	205	2,00	0,200
RK 26	57	265	2,00	0,410
RK 30	57	305	2,00	0,460



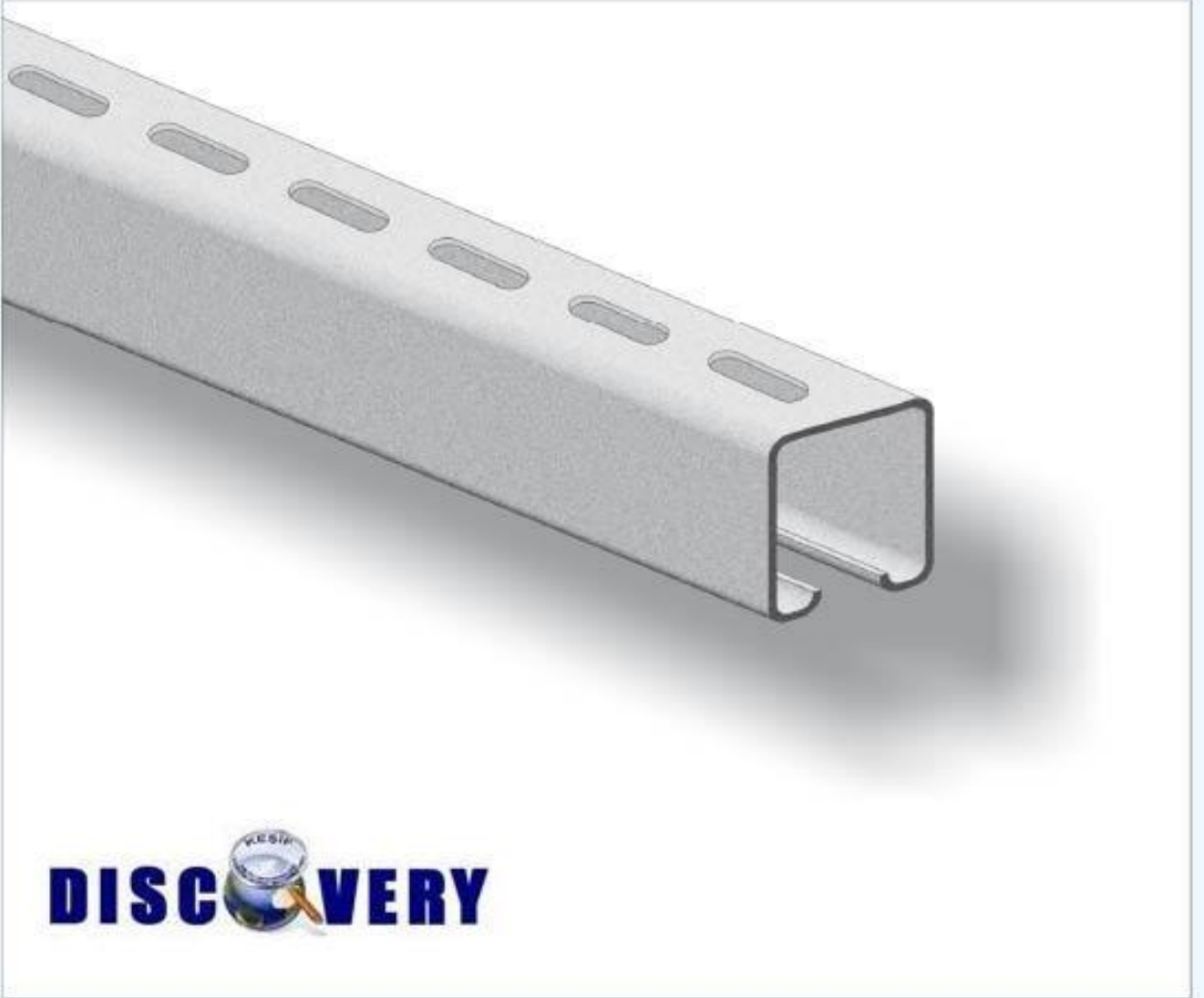
MONTAJ ÖRNEKLERİ
MOUNTING EXAMPLES





C-DESTEK
C-SUPPORT

C-DESTEK



DISCOVERY

Yüzey koruma:

Sıcak daldırma galvaniz TS 914

Pregalvaniz TS 822

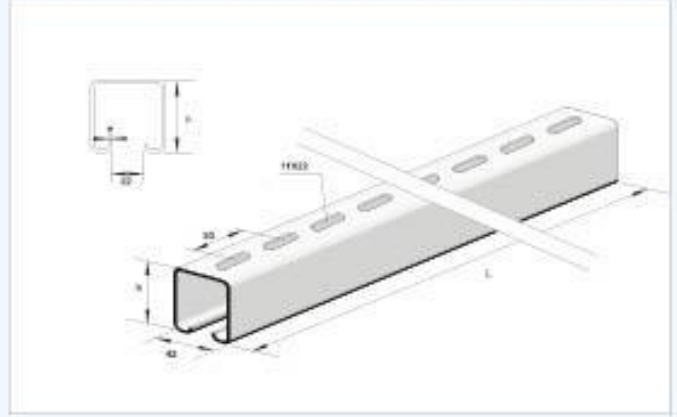
Beyaz elektro galvaniz TS 149

Sarı elektro galvaniz TS 149

Elektrostatik toz boya

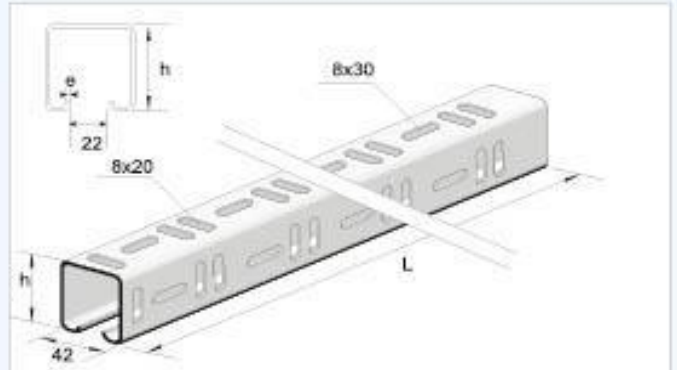
C-DESTEKLER
C-SUPPORTS

SİP. KODU (Order Code)	L (mm)	h (mm)	e (mm)	kg/mt (kg/mt)
CD 21-4215	2500	21	1,50	1,060
CD 21-4220	2500	21	2,00	1,410
CD 42-4215	2500	42	1,50	1,480
CD 42-4220	2500	42	2,00	1,980

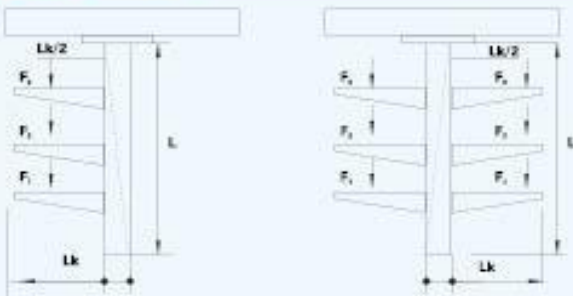


C-DESTEKLER (DELİKLİ TİP)
C-SUPPORTS (ALTERNATIVE PERFORATION)

SİP. KODU (Order Code)	L (mm)	h (mm)	e (mm)	kg/mt (kg/mt)
CDD 42-42152500	2500	42	1,50	1,380
CDD 42-42202500	2500	42	2,00	1,850



C DESTEK STATİK DEĞERLERİ
C SUPPORT STATIC VALUES

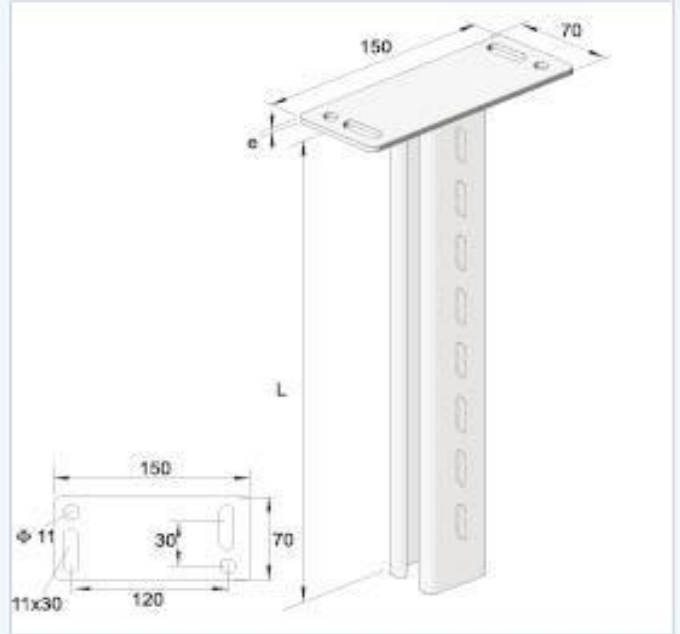


KONSOL UZUNLUĞU LENGHT OF BRACKET	1			2			3		
	200	400	600	200	400	600	200	400	600
ÖRNEK 1 EXAMPLE:1	$\Sigma F=(kg)$								
L=500mm	100	70	50	200	140	100	300	210	150
f=(mm)	3	3	3	5	5	5			
L=1000mm									
f=(mm)	6	6	7	12	12	14	20	20	21
L=2000mm									
f=(mm)	9	11	11	17	20	20			
ÖRNEK 2 EXAMPLE:2	$\Sigma F=(kg)^*$								
	200	140	100	400	280	200	600	400	300

*Çift taraflı şekilde maksimum yükler f=0
Max. admissible load, uniformly spread or both sides f=0

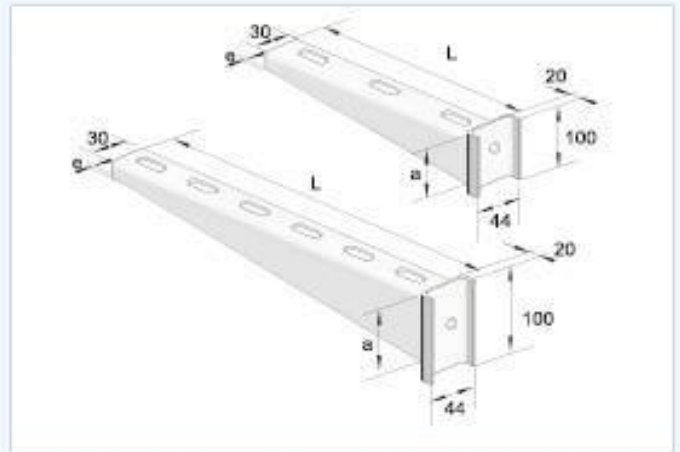
C-PROFİL TAVAN DESTEĞİ C-HANGING SUPPORT

SİP. KODU (Order Code)	L (mm)	h (mm)	e (mm)	kg/ad (kg/pce.)
CDT 21-50	500	21	2,00	1.115
CDT 21-100	1000	21	2,00	1.860
CDT 21-150	1500	21	2,00	2.605
CDT 21-200	2000	21	2,00	3.350
CDT 42-50	500	42	2,00	1.414
CDT 42-100	1000	42	2,00	2.458
CDT 42-150	1500	42	2,00	3.502
CDT 42-200	2000	42	2,00	4.546



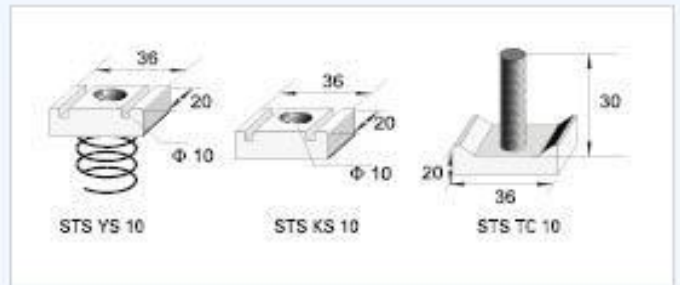
C-KONSOLLARI C-BRACKETS

SİP. KODU (Order Code)	L (mm)	a (mm)	e (mm)	kg/ad (kg/pce.)
CK 10	110	60	2,00	0.330
CK 12	130	60	2,00	0.360
CK 16	170	60	2,00	0.420
CK 20	210	60	2,00	0.480
CK 26	270	60	2,00	0.550
CK 30	310	100	2,00	0.680
CK 40	410	100	2,00	0.825
CK 50	510	100	2,00	0.985
CK 60	610	100	2,00	1.140



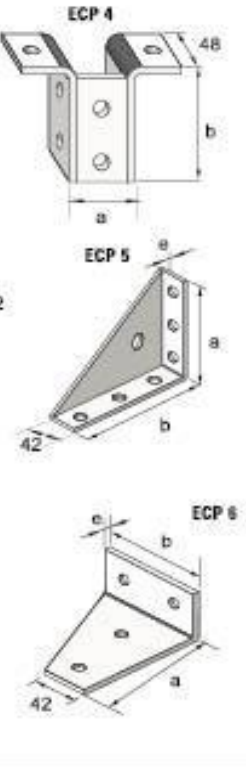
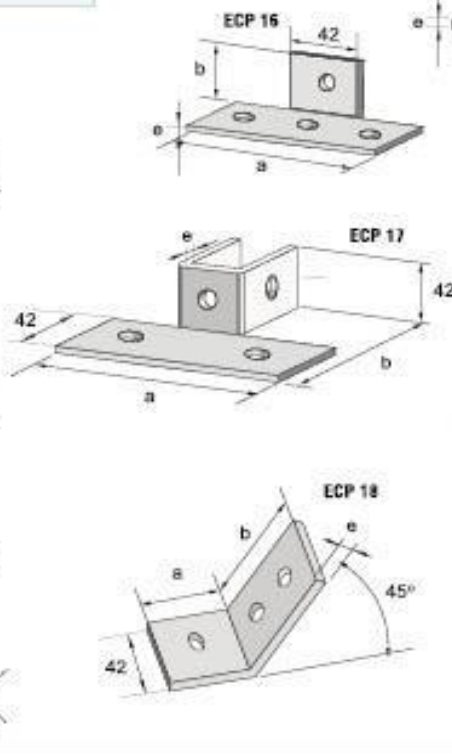
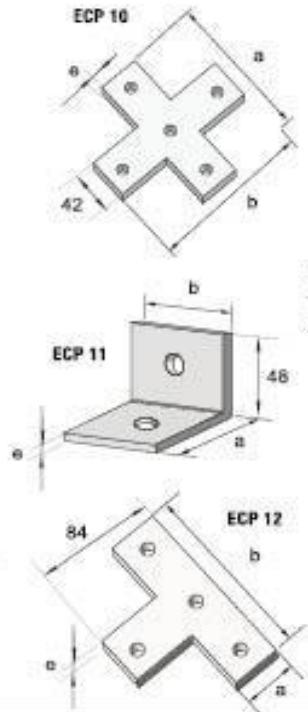
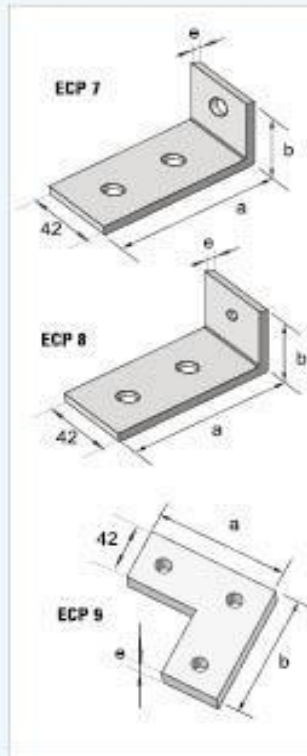
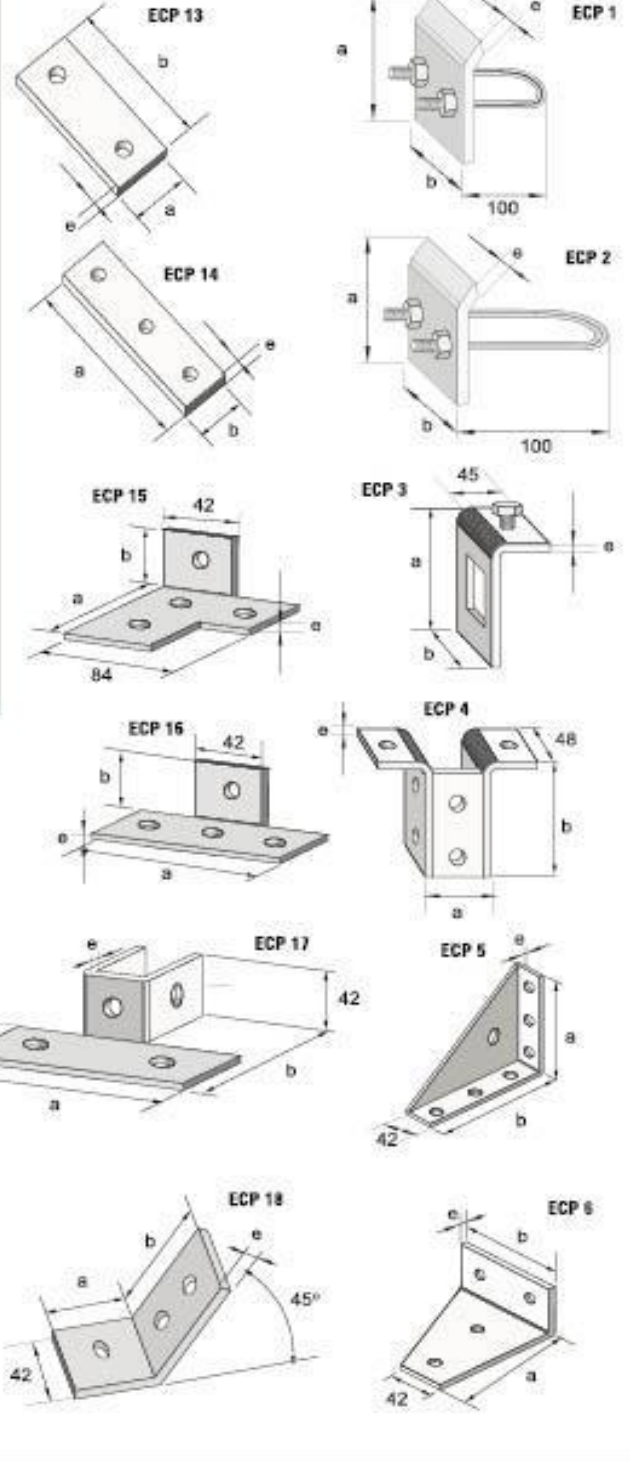
MONTAJ ELEMANLARI ASSEMBLING ELEMENTS

SİP. KODU (Order Code)	kg/ad (kg/pce.)
YS 10 YAYLI SOMUN/SPRING NUT	0.040
KS 10 KARE SOMUN/WITHOUTSPRING NUT	0.037
TC 10 T CIVATA/ANCHOR BOLT	0.050

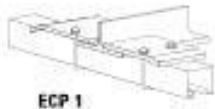


C DESTEK BAĞLANTI ELEMANLARI
C-SUPPORT CONNECTION ITEMS

SİP. KODU (Order Code)	a (mm)	b (mm)	e (mm)	kg/ad. (kg/pce.)
ECP 1	64	80	6,00	0.800
ECP 2	64	80	6,00	0.970
ECP 3	90	90	6,00	0.450
ECP 4	48	91	6,00	0.715
ECP 5	121	121	6,00	0.785
ECP 6	96	84	6,00	0.400
ECP 7	91	47	6,00	0.240
ECP 8	91	47	6,00	0.240
ECP 9	84	84	6,00	0.240
ECP 10	126	126	6,00	0.400
ECP 11	48	42	6,00	0.160
ECP 12	42	126	6,00	0.320
ECP 13	42	84	6,00	0.160
ECP 14	42	126	6,00	0.240
ECP 15	90	42	6,00	0.320
ECP 16	126	48	6,00	0.320
ECP 17	126	90	6,00	0.490
ECP 18	42	90	6,00	0.245



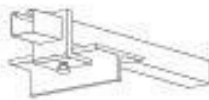
DISCOVERY



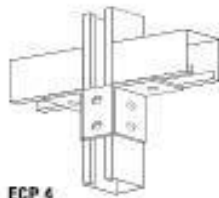
ECP 1



ECP 2



ECP 3



ECP 4



ECP 5



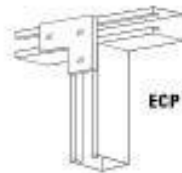
ECP 6



ECP 13



ECP 8



ECP 9



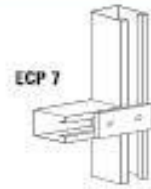
ECP 10



ECP 11



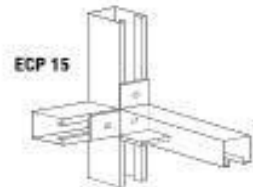
ECP 12



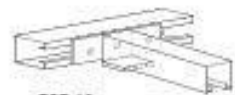
ECP 7



ECP 14



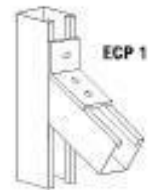
ECP 15



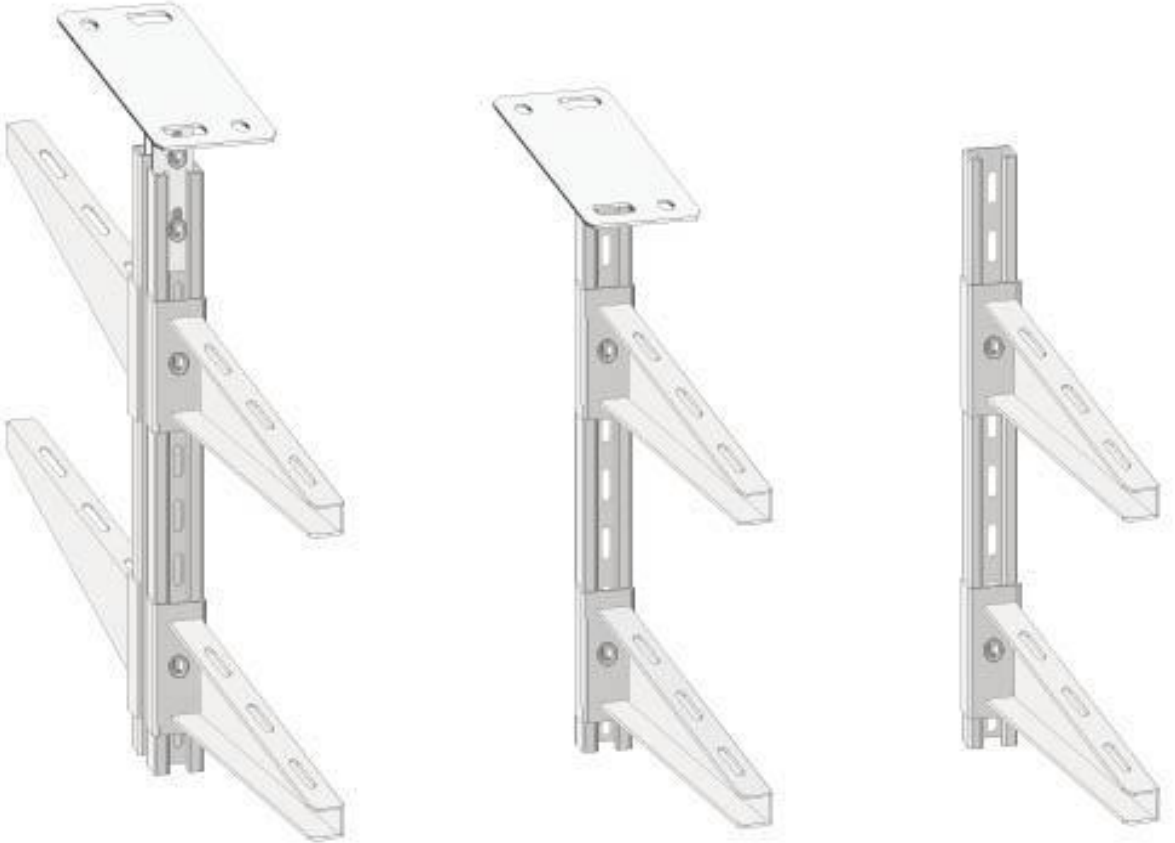
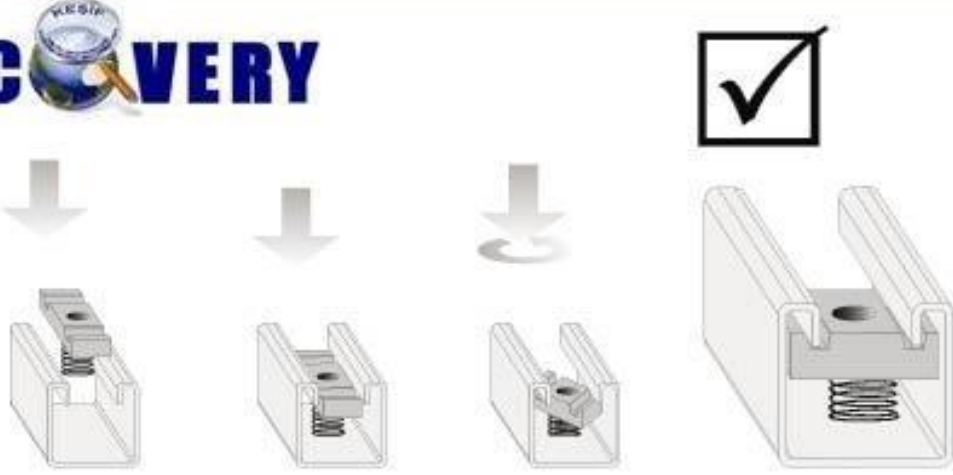
ECP 16



ECP 17



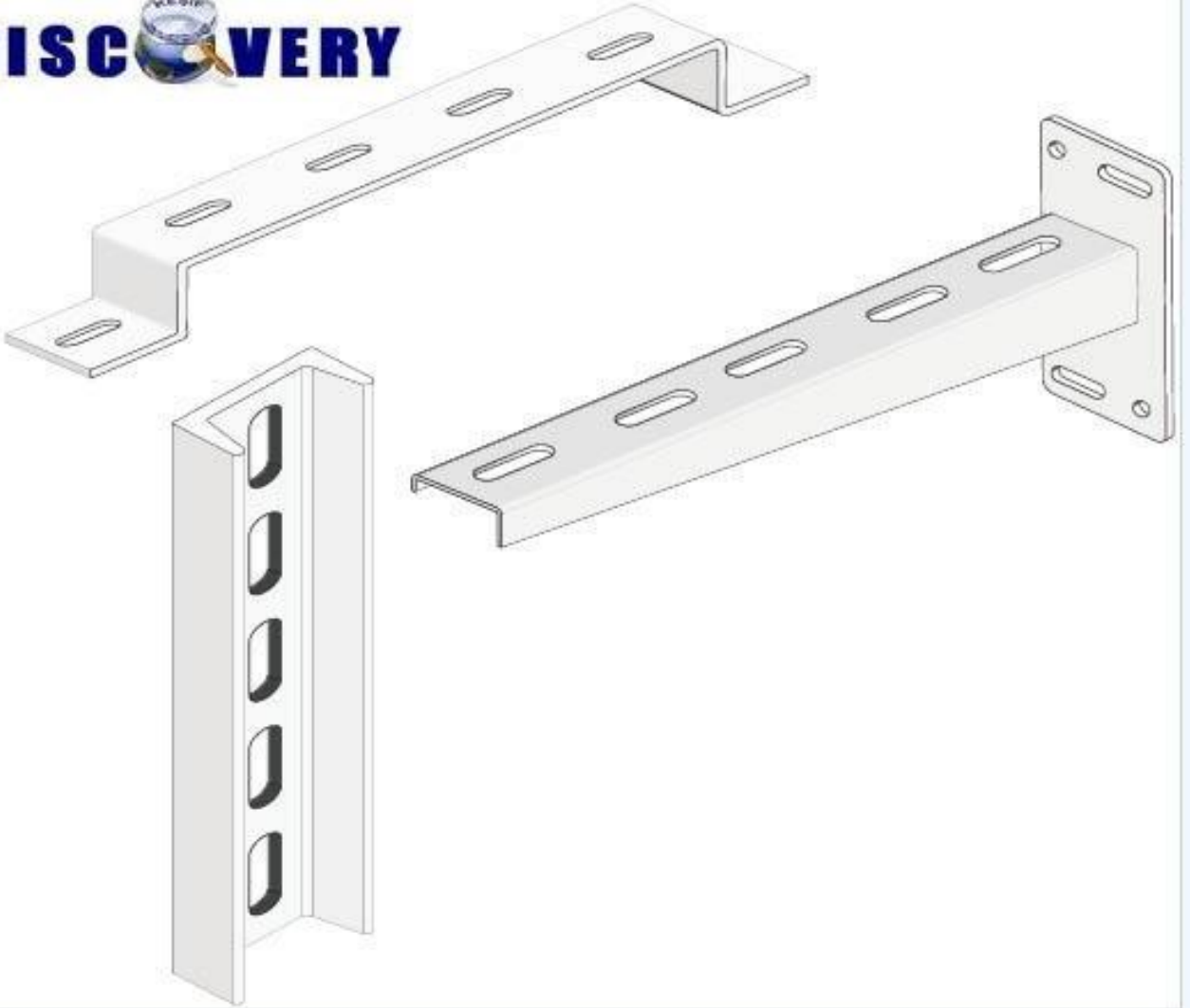
ECP 18

MONTAJ ÖRNEKLERİ
MOUNTING EXAMPLES**DISCOVERY**

KONSOLLAR BRACKETS

KONSOL

DISCOVERY



Yüzey koruma:

Sıcak daldırma galvaniz TS 914

Pregalvaniz TS 822

Beyaz elektro galvaniz TS 149

Sarı elektro galvaniz TS 149

Elektrostatik toz boya

DISCOVERY


DUVAR KONSOLLARI
BRACKETS FOR WALL MOUNTING

SİP. KODU (Order Code)	L (mm)	a (mm)	e (mm)	kg/ad (kg/pce.)
DK 07	70	45	1,50	0,185
DK 10	100	45	1,50	0,210
DK 12	120	45	1,50	0,225
DK 16	160	45	1,50	0,275
DK 20	200	45	1,50	0,340
DK 26	260	45	1,50	0,490

DUVAR KONSOLLARI
BRACKETS FOR WALL MOUNTING

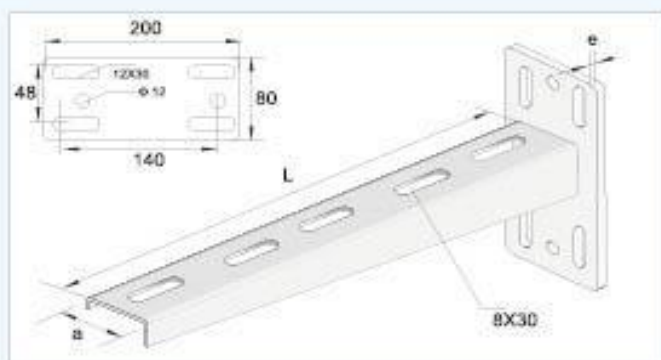
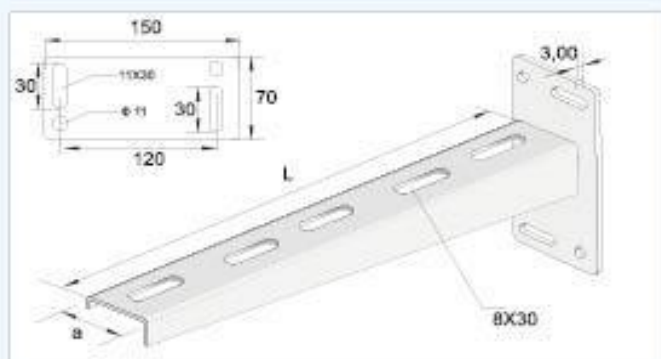
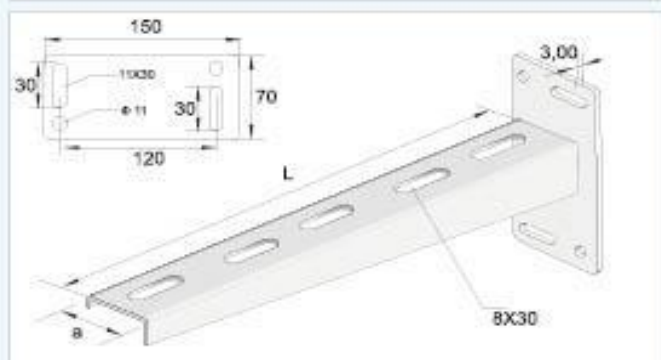
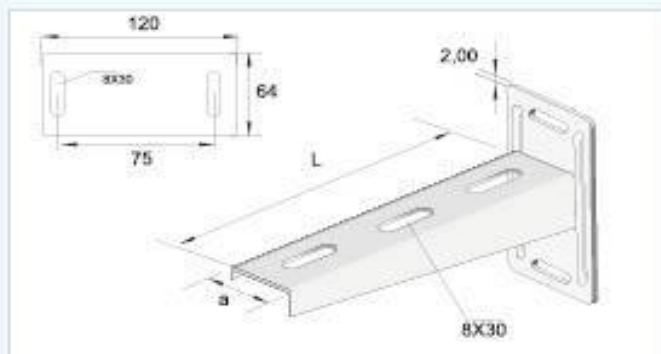
SİP. KODU (Order Code)	L (mm)	a (mm)	e (mm)	kg/ad (kg/pce.)
DK 30	300	45	2,00	0,750
DK 40	400	45	2,00	0,940
DK 50	500	45	2,00	1,040
DK 60	600	45	2,00	1,180

DUVAR KONSOLLARI
BRACKETS FOR WALL MOUNTING

SİP. KODU (Order Code)	L (mm)	a (mm)	e (mm)	kg/ad (kg/pce.)
KDK 20	200	45	2,00	0,510
KDK 26	260	45	2,00	0,600

DUVAR KONSOLLARI
BRACKETS FOR WALL MOUNTING

SİP. KODU (Order Code)	L (mm)	a (mm)	e (mm)	kg/ad (kg/pce.)
KDK 30	300	45	3,00	1,350
KDK 40	400	45	3,00	1,600
KDK 50	500	45	3,00	1,870
KDK 60	600	45	3,00	2,130

KONSOLLAR
BRACKETS


KONSOLLAR
BRACKETSOMEGA TESPİT ELEMANI h:30
OMEGA ELEMENTS h:30

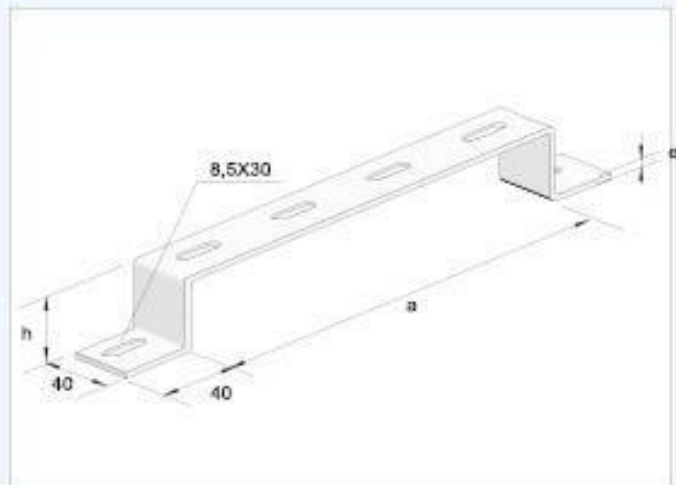
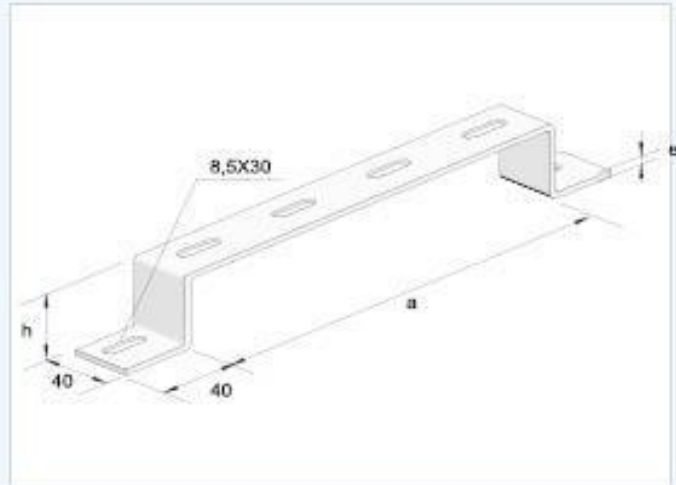
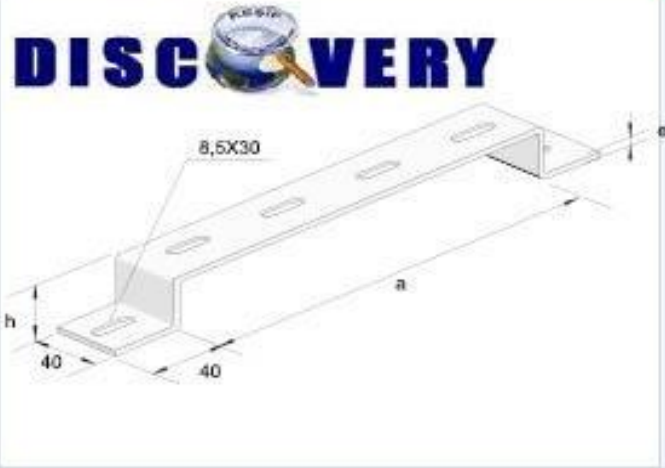
SİP. KODU (Order Code)	a (mm)	h (mm)	e (mm)	kg/ad. (kg/pce.)
OK 10-3	100	30	2,00	0,140
OK 12-3	120	30	2,00	0,160
OK 16-3	160	30	2,00	0,180
OK 20-3	200	30	2,00	0,200
OK 26-3	260	30	2,00	0,240
OK 30-3	300	30	2,00	0,270

OMEGA TESPİT ELEMANI h:50
OMEGA TYPE FIXING ELEMENTS h:50

SİP. KODU (Order Code)	a (mm)	h (mm)	e (mm)	kg/ad. (kg/pce.)
OK 10-5	100	50	2,00	0,170
OK 12-5	120	50	2,00	0,190
OK 16-5	160	50	2,00	0,210
OK 20-5	200	50	2,00	0,230
OK 26-5	260	50	2,00	0,270
OK 30-5	300	50	2,00	0,300

OMEGA TESPİT ELEMANI h:70
OMEGA TYPE FIXING ELEMENTS h:70

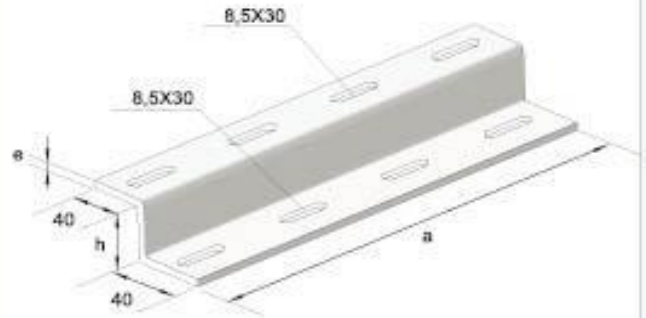
SİP. KODU (Order Code)	a (mm)	h (mm)	e (mm)	kg/ad. (kg/pce.)
OK 10-7	100	70	2,00	0,190
OK 12-7	120	70	2,00	0,200
OK 16-7	160	70	2,00	0,230
OK 20-7	200	70	2,00	0,260
OK 26-7	260	70	2,00	0,300
OK 30-7	300	70	2,00	0,330



DISCOVERY

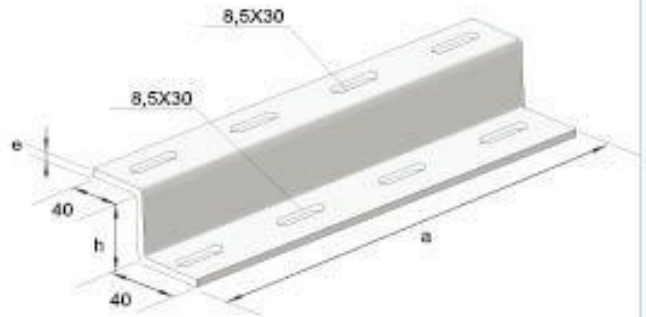
Z TESPİT ELEMANI h:30 Z TYPE FIXING ELEMENTS h:30

SİP. KODU (Order Code)	a (mm)	h (mm)	e (mm)	kg/ad. (kg/pce.)
ZK 10-3	100	30	2,00	0,150
ZK 12-3	120	30	2,00	0,181
ZK 16-3	160	30	2,00	0,240
ZK 20-3	200	30	2,00	0,300
ZK 26-3	260	30	2,00	0,390
ZK 30-3	300	30	2,00	0,450
ZK 40-3	400	30	2,00	0,600
ZK 50-3	500	30	2,00	0,750
ZK 60-3	600	30	2,00	0,900



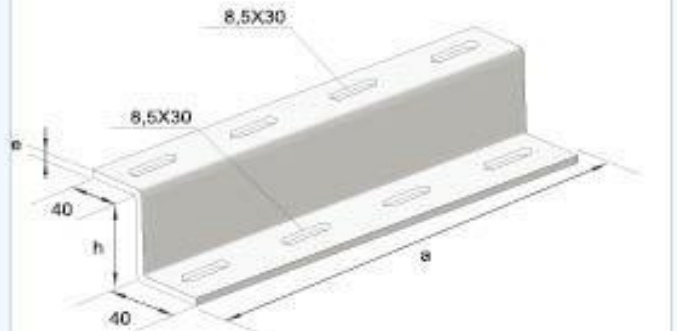
Z TESPİT ELEMANI h:50 Z TYPE FIXING ELEMENTS h:50

SİP. KODU (Order Code)	a (mm)	h (mm)	e (mm)	kg/ad. (kg/pce.)
ZK 10-5	100	50	2,00	0,190
ZK 12-5	120	50	2,00	0,230
ZK 16-5	160	50	2,00	0,310
ZK 20-5	200	50	2,00	0,390
ZK 26-5	260	50	2,00	0,500
ZK 30-5	300	50	2,00	0,580
ZK 40-5	400	50	2,00	0,780
ZK 50-5	500	50	2,00	0,970
ZK 60-5	600	50	2,00	1,160



Z TESPİT ELEMANI h:70 Z TYPE FIXING ELEMENTS h:70

SİP. KODU (Order Code)	a (mm)	h (mm)	e (mm)	kg/ad. (kg/pce.)
ZK 10-7	100	70	2,00	0,220
ZK 12-7	120	70	2,00	0,270
ZK 16-7	160	70	2,00	0,360
ZK 20-7	200	70	2,00	0,450
ZK 26-7	260	70	2,00	0,590
ZK 30-7	300	70	2,00	0,680
ZK 40-7	400	70	2,00	0,900
ZK 50-7	500	70	2,00	1,180
ZK 60-7	600	70	2,00	1,350



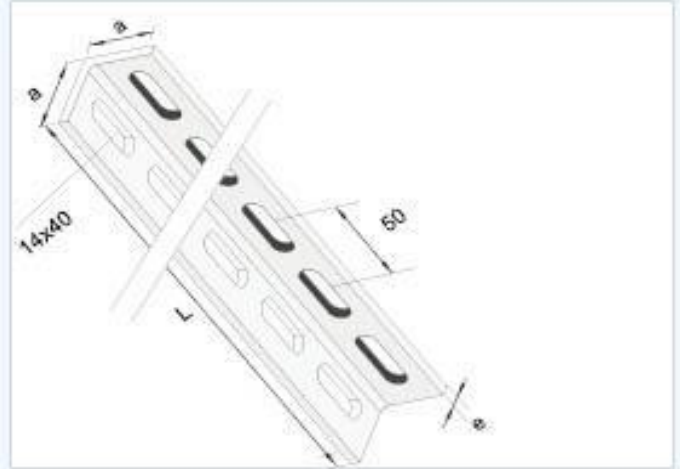
DESTEK ELEMANLARI-KÖŞEBENTLER SUPPORT SYSTEMS (ANGLE IRONS)

SİP. KODU (Order Code)	L (mm)	a (mm)	e (mm)	kg/mt (kg/mt.)
K4	2500	30	3,00	1,270
K5	6000	40	4,00	2,420
K6	6000	50	5,00	3,770



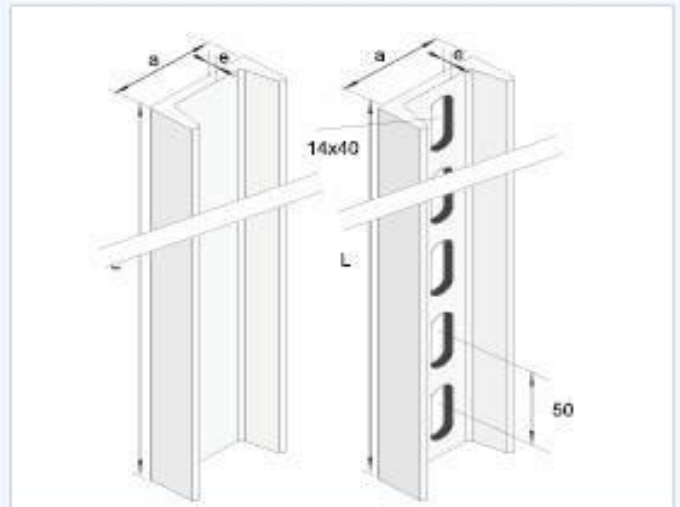
DESTEK ELEMANLARI-KÖŞEBENTLER SUPPORT SYSTEMS (ANGLE IRONS)

SİP. KODU (Order Code)	L (mm)	a (mm)	e (mm)	kg/mt (kg/mt.)
K4-D	2500	30	3,00	1,120
K5-D	6000	40	4,00	2,100
K6-D	6000	50	5,00	3,430



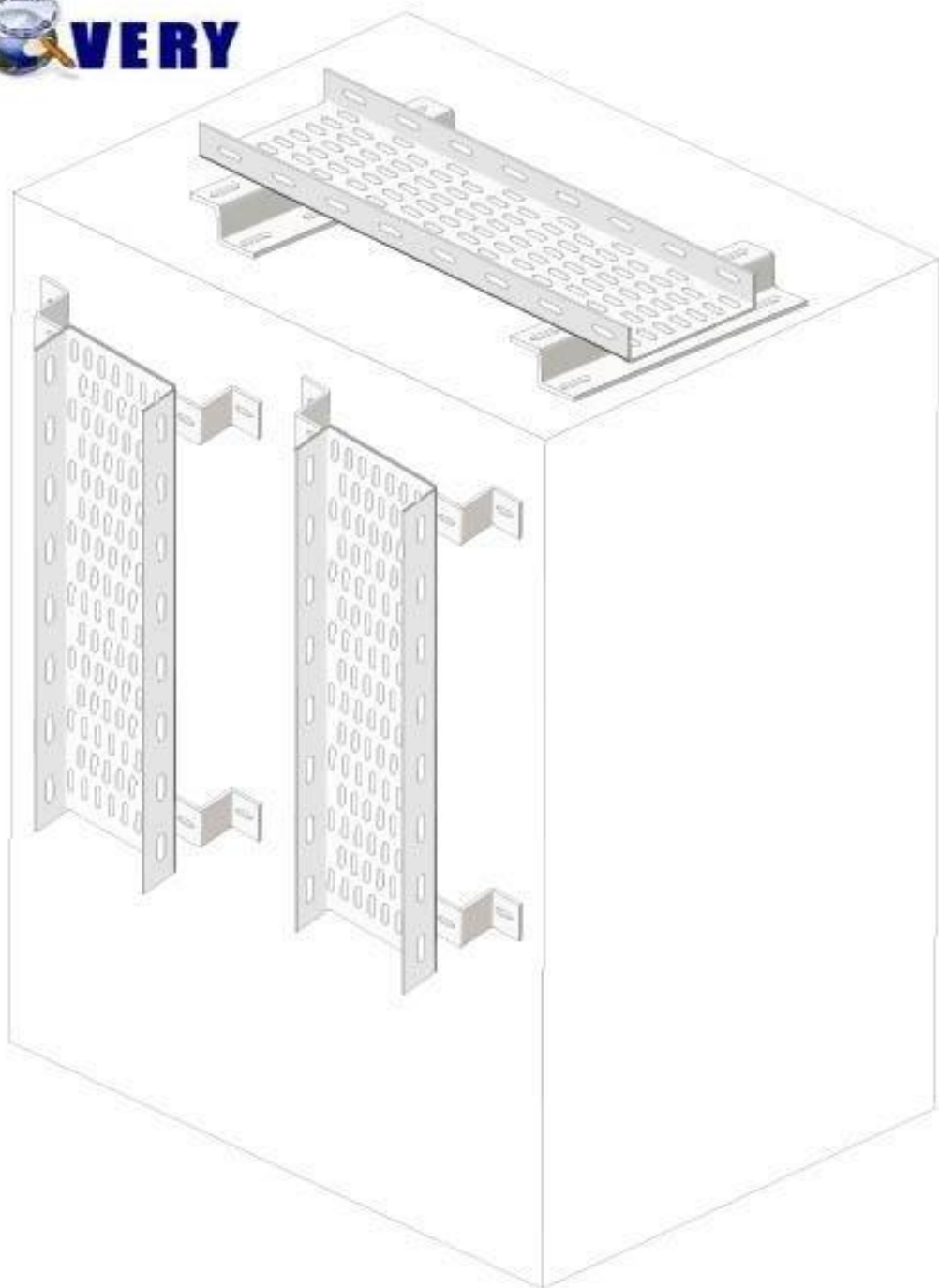
DESTEK ELEMANLARI-U PROFİLLER SUPPORT SYSTEMS (U PROFILES)

SİP. KODU (Order Code)	L (mm)	a (mm)	e (mm)	kg/mt (kg/mt.)
U 65	6000	65	6,00	7,090
U 65-D	6000	65	6,00	6,720



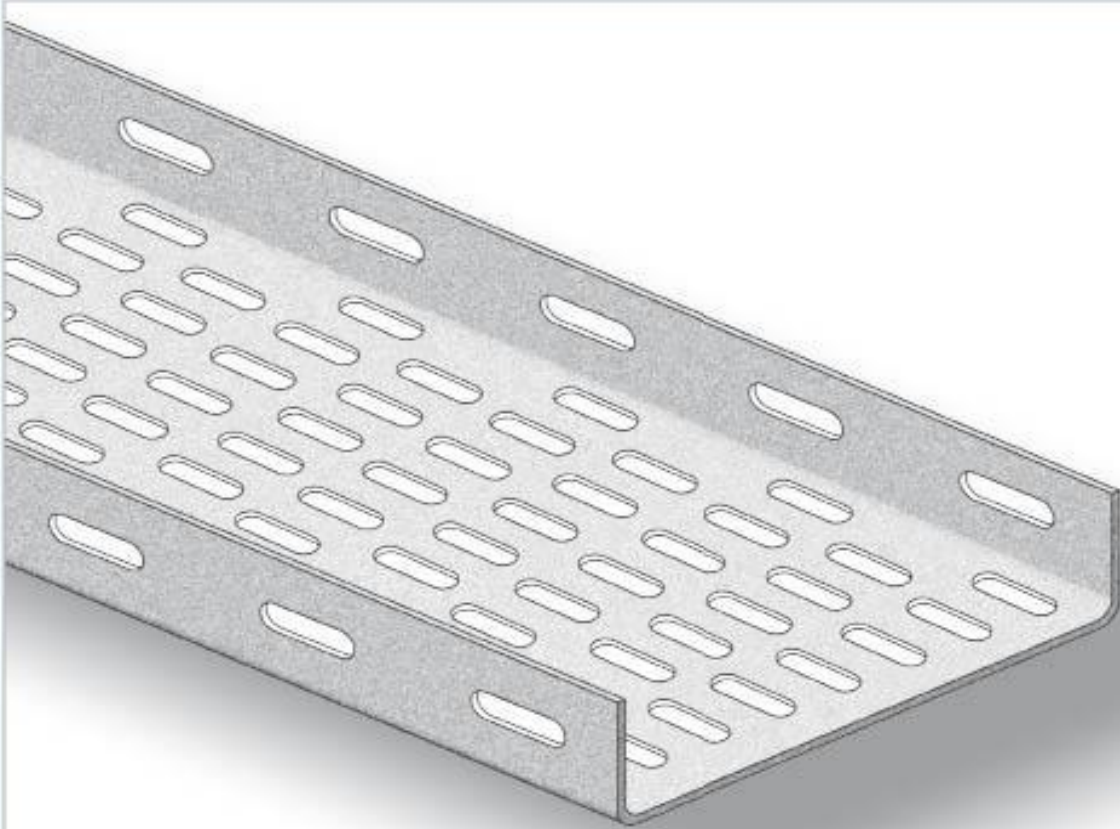
MONTAJ ÖRNEKLERİ
MOUNTING EXAMPLES

DISCOVERY



NORMAL TİP KABLO KANALLARI NORMAL TYPE CABLE TRAYS

KANAL 40



DISCOVERY

Yüzey koruma:

Sıcak daldırma galvaniz TS 914

Pregalvaniz TS 822

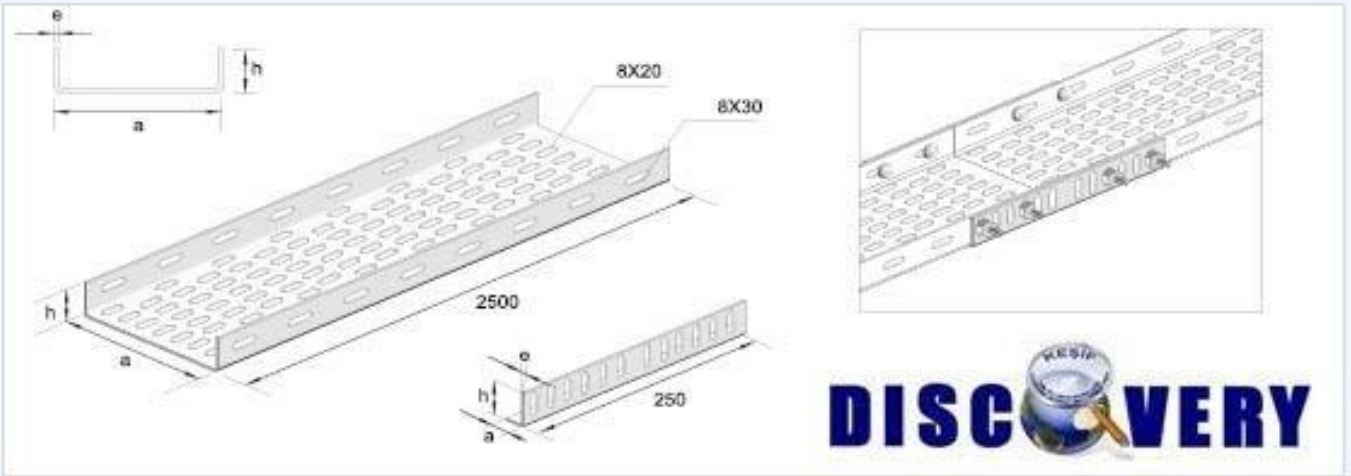
Beyaz elektro galvaniz TS 149

Sarı elektro galvaniz TS 149

Elektrostatik toz boya

NORMAL TİP KABLO KANALLARI

NORMAL TYPE CABLE TRAYS



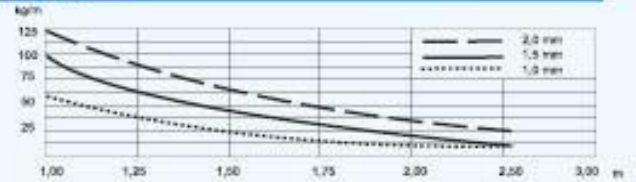
NORMAL TİP KABLO KANALLARI

NORMAL TYPE CABLE TRAYS

SİP. KODU (Order Code)	a (mm)	h (mm)	e (mm)	Kg/mt (kg/mt)
N 05-410	50	40	1,00	0,850
N 05-415	50	40	1,50	1,255
N 07-410	70	40	1,00	0,986
N 07-415	70	40	1,50	1,480
N 10-410	100	40	1,00	1,180
N 10-415	100	40	1,50	1,750
N 12-410	120	40	1,00	1,320
N 12-415	120	40	1,50	1,950
N 16-415	160	40	1,50	2,360
N 20-415	200	40	1,50	2,760
N 26-415	260	40	1,50	3,360
N 30-415	300	40	1,50	3,780
N 30-420	300	40	2,00	5,000
N 40-415	400	40	1,50	4,750
N 40-420	400	40	2,00	6,340
N 50-420	500	40	2,00	7,720
N 60-420	600	40	2,00	9,030

STATİK DEĞERLER

STATIC VALUES



EK ELEMANI

STRAIGHT CONNECTOR

SİP. KODU (Order Code)	a (mm)	h (mm)	e (mm)	kg/ad (kg/pce.)
N 1-4	15	42	1,50	0,175
N 2-4	40	42	2,00	0,280

NORMAL TİP KABLO KANALLARI

NORMAL TYPE CABLE TRAYS

DÖNÜŞ ELEMANI

HORIZONTAL BENDS 90°

SİP. KODU (Order Code)	a (mm)	h (mm)	e (mm)	Kg/ad. (kg/pce.)
√ 105-415	55	40	1.50	0.380
√ 107-415	75	40	1.50	0.576
√ 110-415	105	40	1.50	0.700
√ 112-415	125	40	1.50	0.790
√ 116-415	165	40	1.50	0.990
√ 120-415	205	40	1.50	1.240
√ 126-415	265	40	1.50	1.740
√ 130-420	305	40	2.00	2.810
√ 140-420	405	40	2.00	4.290
√ 150-420	505	40	2.00	6.080
√ 160-420	605	40	2.00	8.200

T DÖNÜŞ ELEMANI

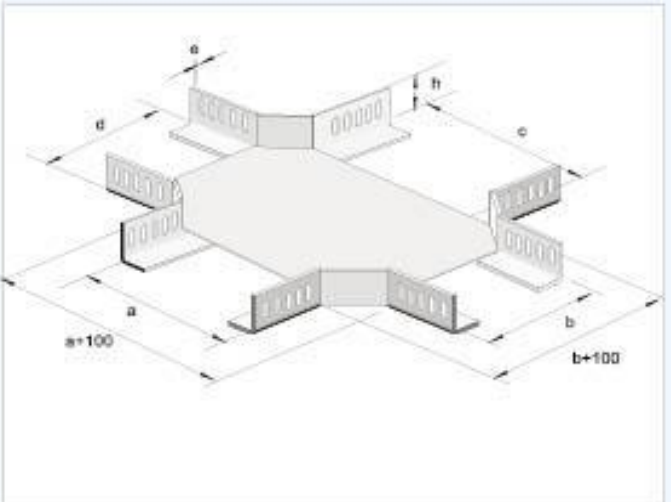
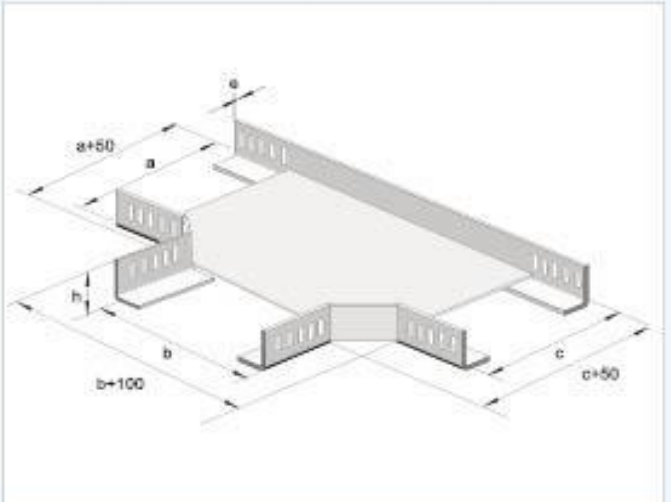
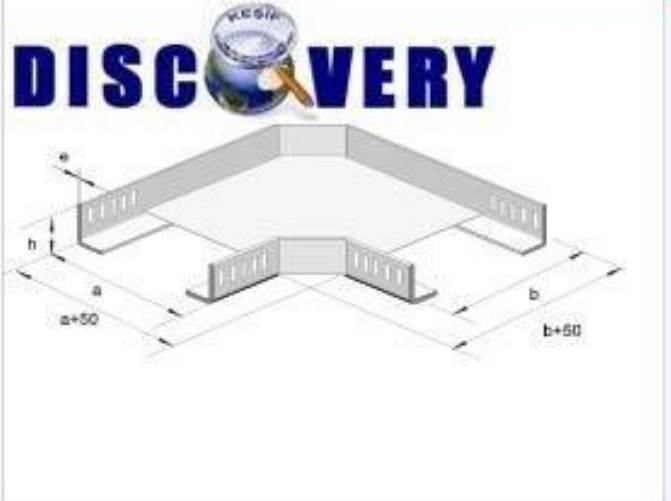
HORIZONTAL TEES

SİP. KODU (Order Code)	a (mm)	h (mm)	e (mm)	Kg/ad. (kg/pce.)
N 205-415	55	40	1.50	0.540
N 207-415	75	40	1.50	0.650
N 210-415	105	40	1.50	0.820
N 212-415	125	40	1.50	0.920
N 216-415	165	40	1.50	1.150
N 220-415	205	40	1.50	1.550
N 226-415	265	40	1.50	1.900
N 230-420	305	40	2.00	3.020
N 240-420	405	40	2.00	4.470
N 250-420	505	40	2.00	6.370
N 260-420	605	40	2.00	8.360

DÖRTLÜ BAĞLANTILAR

QUADRUPLE HORIZONTAL CROSSINGS

SİP. KODU (Order Code)	a (mm)	h (mm)	e (mm)	Kg/ad. (kg/pce.)
305-415	55	40	1.50	0.680
307-415	75	40	1.50	0.940
310-415	105	40	1.50	1.040
312-415	125	40	1.50	1.280
316-415	165	40	1.50	1.550
320-415	205	40	1.50	1.650
326-415	265	40	1.50	2.030
330-420	305	40	2.00	3.200
340-420	405	40	2.00	4.670
350-420	505	40	2.00	6.450
360-420	605	40	2.00	8.560



NORMAL TİP KABLO KANALLARI

NORMAL TYPE CABLE TRAYS

DISCOVERY

REDÜKSİYONLAR

REDUCING ANGLES

SİP. KODU (Order Code)	a (mm)	h (mm)	e (mm)	Kg/ad. (kg/pce.)
N 407-415	75	40	1.50	0.300
N 410-415	105	40	1.50	0.440
N 412-415	125	40	1.50	0.525
N 416-415	165	40	1.50	0.720
N 420-415	205	40	1.50	0.950
N 426-415	265	40	1.50	1.380
N 430-420	305	40	2.00	2.280
N 440-420	405	40	2.00	3.635
N 450-420	505	40	2.00	5.275
N 460-420	605	40	2.00	7.260

İÇ BÜKEY ELEMANLAR

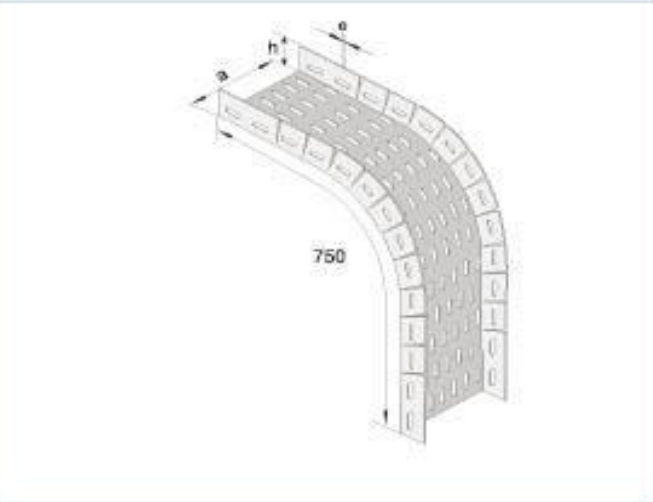
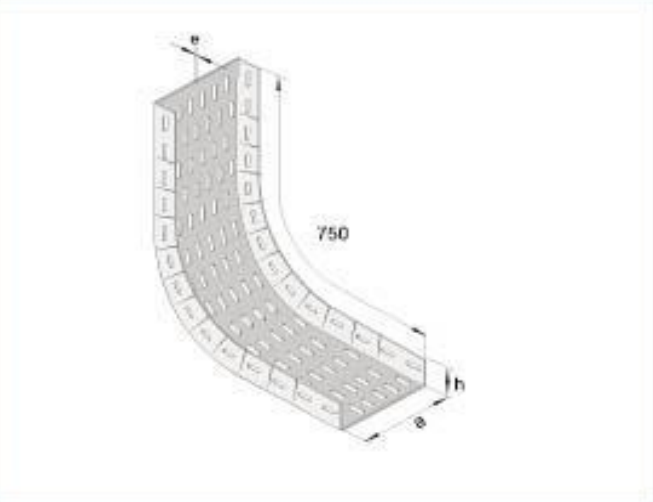
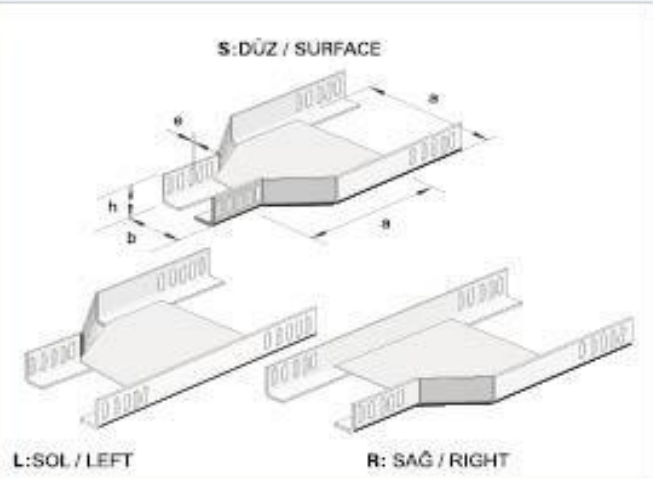
VERTICAL ADJUSTABLE INSIDE BENDS

SİP. KODU (Order Code)	a (mm)	h (mm)	e (mm)	Kg/ad. (kg/pce.)
N 505-415	50	40	1.50	0,940
N 507-415	70	40	1.50	1,095
N 510-415	100	40	1.50	1,313
N 512-415	120	40	1.50	1,464
N 516-415	160	40	1.50	1,765
N 520-415	200	40	1.50	2,067
N 526-415	260	40	1.50	2,520
N 530-420	300	40	2.00	3,742
N 540-420	400	40	2.00	4,724
N 550-420	500	40	2.00	5,725
N 560-420	600	40	2.00	6,726

DIŞ BÜKEY ELEMANLAR

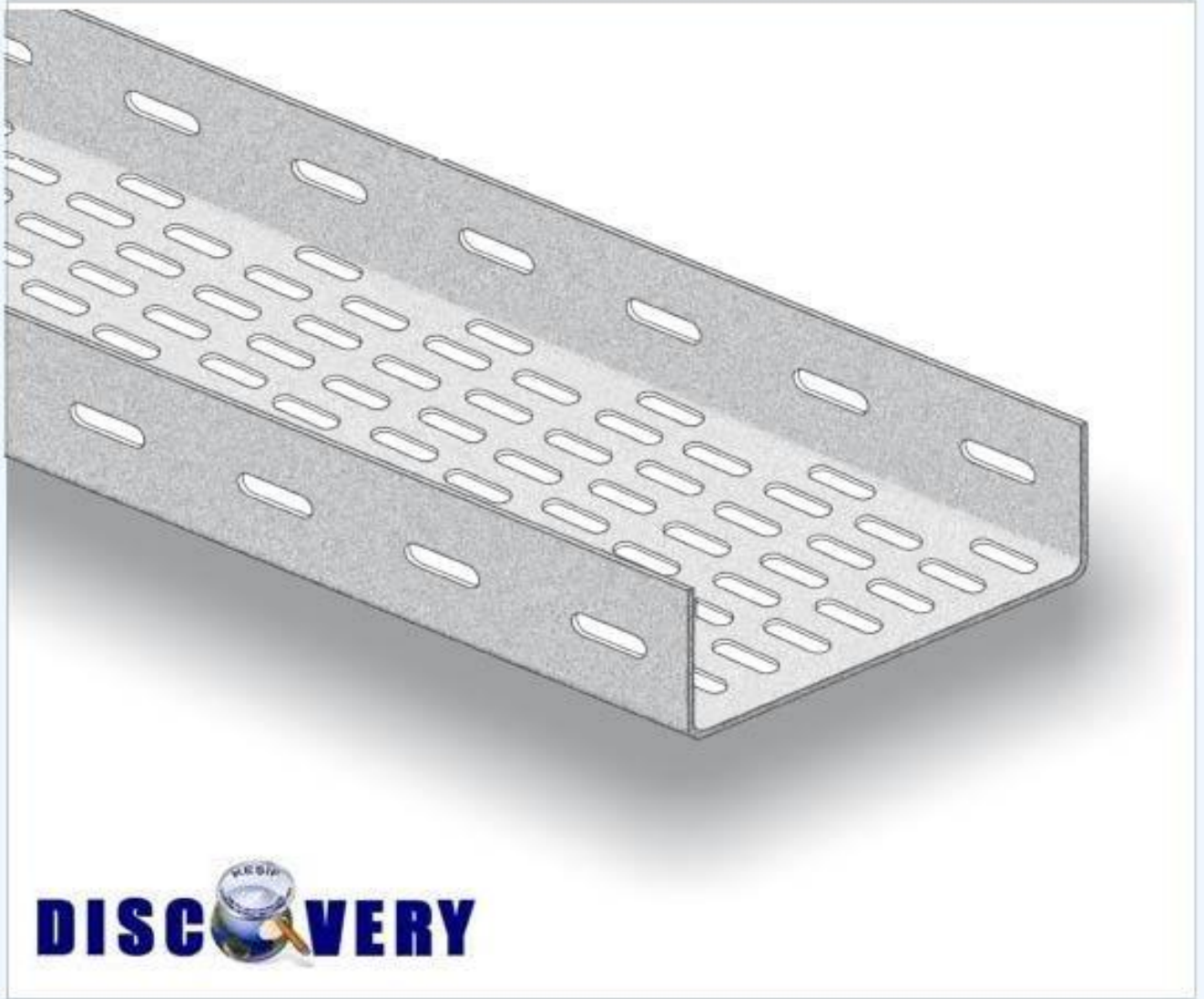
VERTICAL ADJUSTABLE INSIDE BENDS

SİP. KODU (Order Code)	a (mm)	h (mm)	e (mm)	Kg/ad. (kg/pce.)
N 605-415	50	40	1.50	0,940
N 607-415	70	40	1.50	1,095
N 610-415	100	40	1.50	1,313
N 612-415	120	40	1.50	1,464
N 616-415	160	40	1.50	1,765
N 620-415	200	40	1.50	2,067
N 626-415	260	40	1.50	2,520
N 630-420	300	40	2.00	3,742
N 640-420	400	40	2.00	4,724
N 650-420	500	40	2.00	5,725
N 660-420	600	40	2.00	6,726



NORMAL TİP KABLO KANALLARI NORMAL TYPE CABLE TRAYS

KANAL 60



DISCOVERY

Yüzey koruma:

Sıcak daldırma galvaniz TS 914

Pregalvaniz TS 822

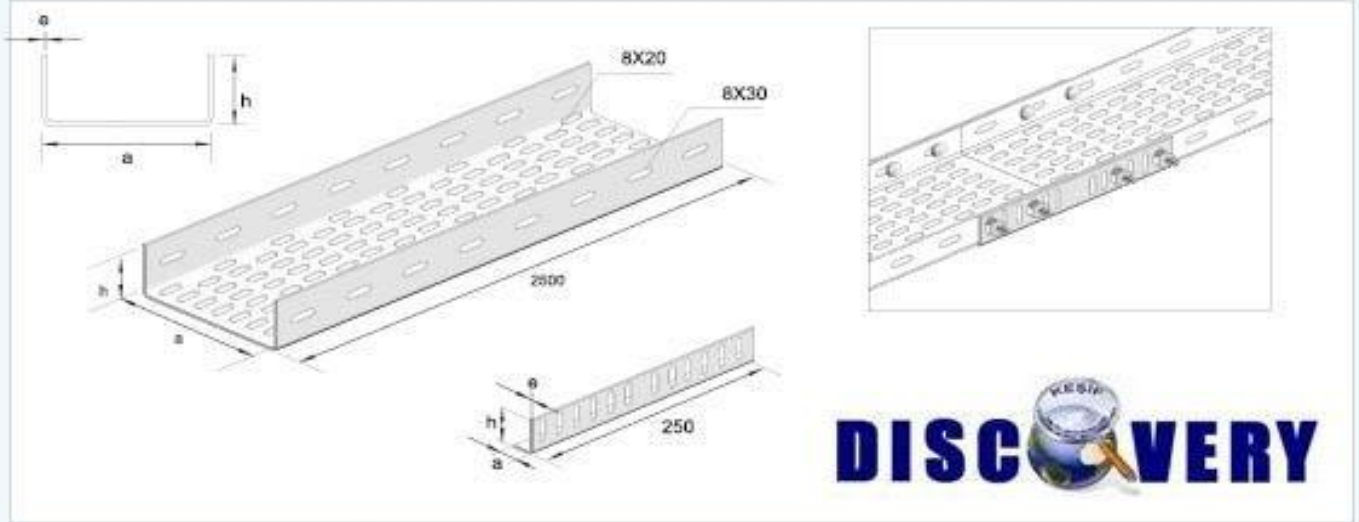
Beyaz elektro galvaniz TS 149

Sarı elektro galvaniz TS 149

Elektrostatik toz boya

NORMAL TİP KABLO KANALLARI

NORMAL TYPE CABLE TRAYS



DISCOVERY

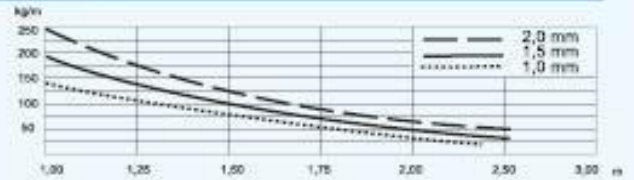
NORMAL TİP KABLO KANALLARI

NORMAL TYPE CABLE TRAYS

SİP. KODU (Order Code)	a (mm)	h (mm)	e (mm)	Kg/mt. (kg/m)
N 07-610	70	60	1,00	1.270
N 07-615	70	60	1,50	1.900
N 10-610	100	60	1,00	1.500
N 10-615	100	60	1,50	2.230
N 12-610	120	60	1,00	1.640
N 12-615	120	60	1,50	2.430
N 16-615	160	60	1,50	2.840
N 20-615	200	60	1,50	3.240
N 26-615	260	60	1,50	3.840
N 30-615	300	60	1,50	4.240
N 30-620	300	60	2,00	5.640
N 40-615	400	60	1,50	5.235
N 40-620	400	60	2,00	6.980
N 50-620	500	60	2,00	8.320
N 60-620	600	60	2,00	9.670

STATİK DEĞERLER

STATIC VALUES



EK ELEMANI

STRAIGHT CONNECTOR

SİP. KODU (Order Code)	a (mm)	h (mm)	e (mm)	Kg/ad. (kg/m)
N 1-6	15	62	1,50	0,210
N 2-6	40	62	2,00	0,385

NORMAL TİP KABLO KANALLARI NORMAL TYPE CABLE TRAYS

90° DÖNÜŞ ELEMANI HORIZONTAL BENDS 90°

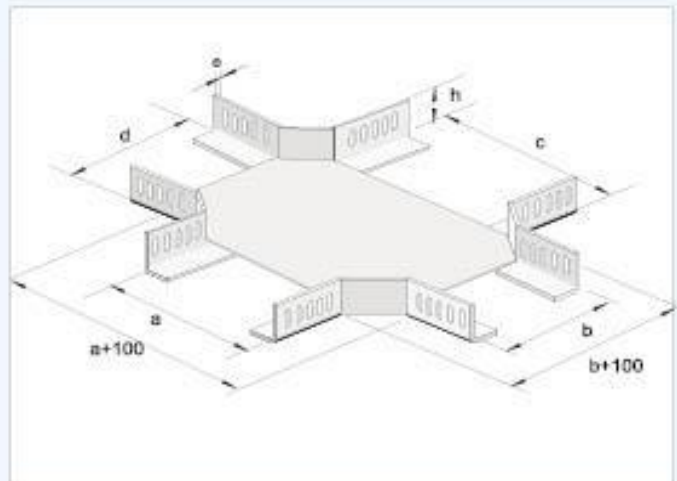
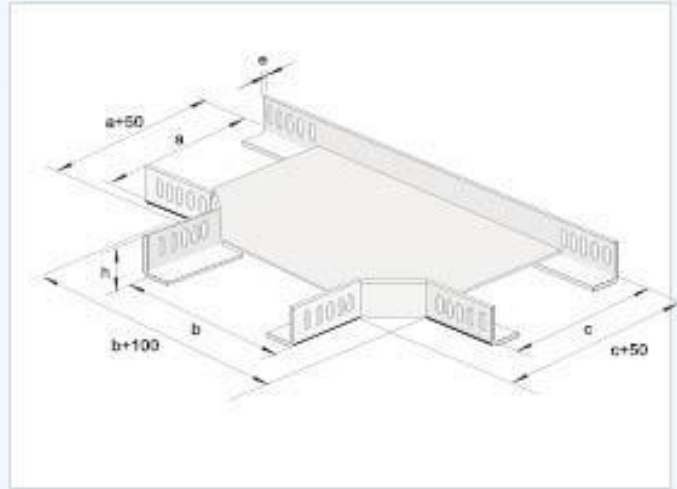
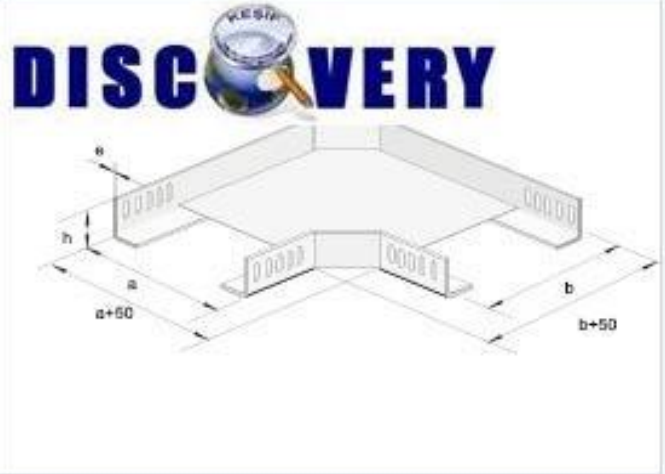
SİP. KODU (Order Code)	a (mm)	h (mm)	e (mm)	Kg/ad. (kg/pce.)
N 107-615	75	60	1.50	0.630
N 110-615	105	60	1.50	0.780
N 112-615	125	60	1.50	0.900
N 116-615	165	60	1.50	1.150
N 120-615	205	60	1.50	1.440
N 126-615	265	60	1.50	1.960
N 130-620	305	60	2.00	3.130
N 140-620	405	60	2.00	4.660
N 150-620	505	60	2.00	6.530
N 160-620	605	60	2.00	8.730

Y DÖNÜŞ ELEMANI HORIZONTAL TEES

SİP. KODU (Order Code)	a (mm)	h (mm)	e (mm)	Kg/ad. (kg/pce.)
N 207-615	75	60	1.50	0.810
N 210-615	105	60	1.50	0.990
N 212-615	125	60	1.50	1.090
N 216-615	165	60	1.50	1.330
N 220-615	205	60	1.50	1.740
N 226-615	265	60	1.50	2.100
N 230-620	305	60	2.00	3.300
N 240-620	405	60	2.00	4.790
N 250-620	505	60	2.00	6.620
N 260-620	605	60	2.00	8.820

DÖRTLÜ BAĞLANTILAR QUADRUPLE HORIZONTAL CROSSINGS

SİP. KODU (Order Code)	a (mm)	h (mm)	e (mm)	Kg/ad. (kg/pce.)
N 307-615	75	60	1.50	1.120
N 310-615	105	60	1.50	1.225
N 312-615	125	60	1.50	1.460
N 316-615	165	60	1.50	1.730
N 320-615	205	60	1.50	1.830
N 326-615	265	60	1.50	2.210
N 330-620	305	60	2.00	3.460
N 340-620	405	60	2.00	4.920
N 350-620	505	60	2.00	6.700
N 360-620	605	60	2.00	9.100



NORMAL TİP KABLO KANALLARI

NORMAL TYPE CABLE TRAYS

DISCOVERY

REDÜKSİYONLAR

REDUCING ANGLES

SİP. KODU (Order Code)	a (mm)	h (mm)	e (mm)	Kg/ad. (kg/pce.)
N 407-615	75	60	1.50	0,560
N 410-615	105	60	1.50	0,650
N 412-615	125	60	1.50	0,865
N 416-615	165	60	1.50	1,120
N 420-615	205	60	1.50	1,565
N 426-615	265	60	1.50	2,550
N 430-620	305	60	2.00	2,945
N 440-620	405	60	2.00	3,980
N 450-620	505	60	2.00	5,685
N 460-620	605	60	2.00	7,725

İÇ BÜKEY ELEMANLAR

VERTICAL ADJUSTABLE INSIDE BENDS

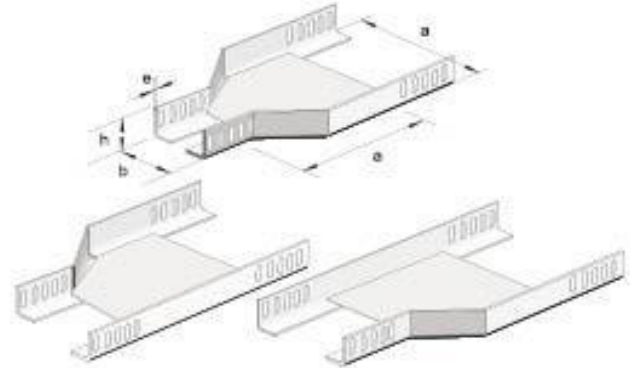
SİP. KODU (Order Code)	a (mm)	h (mm)	e (mm)	Kg/ad. (kg/pce.)
N 507-615	75	60	1.50	1.350
N 510-615	105	60	1.50	1.606
N 512-615	125	60	1.50	1.756
N 516-615	165	60	1.50	2.056
N 520-615	205	60	1.50	2.506
N 526-615	265	60	1.50	2.810
N 530-620	305	60	2.00	4.144
N 540-620	405	60	2.00	5.124
N 550-620	505	60	2.00	6.125
N 560-620	605	60	2.00	7.126

DIŞ BÜKEY ELEMANLAR

VERTICAL ADJUSTABLE OUTSIDE BENDS

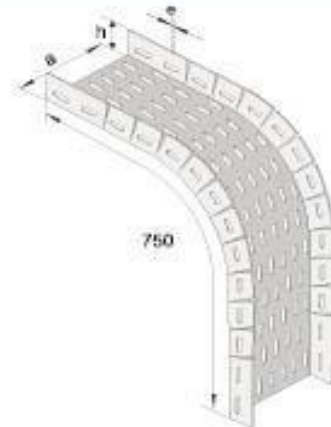
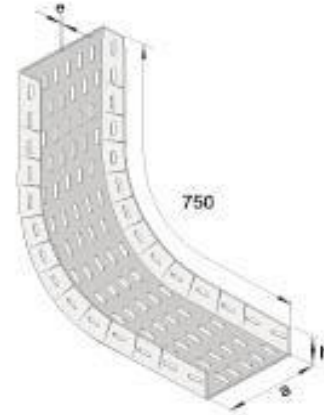
SİP. KODU (Order Code)	a (mm)	h (mm)	e (mm)	Kg/ad. (kg/pce.)
N 607-615	75	60	1.50	1.350
N 610-615	105	60	1.50	1.606
N 612-615	125	60	1.50	1.756
N 616-615	165	60	1.50	2.056
N 620-615	205	60	1.50	2.506
N 626-615	265	60	1.50	2.810
N 630-620	305	60	2.00	4.144
N 640-620	405	60	2.00	5.124
N 650-620	505	60	2.00	6.125
N 660-620	605	60	2.00	7.126

S:DÜZ / SURFACE



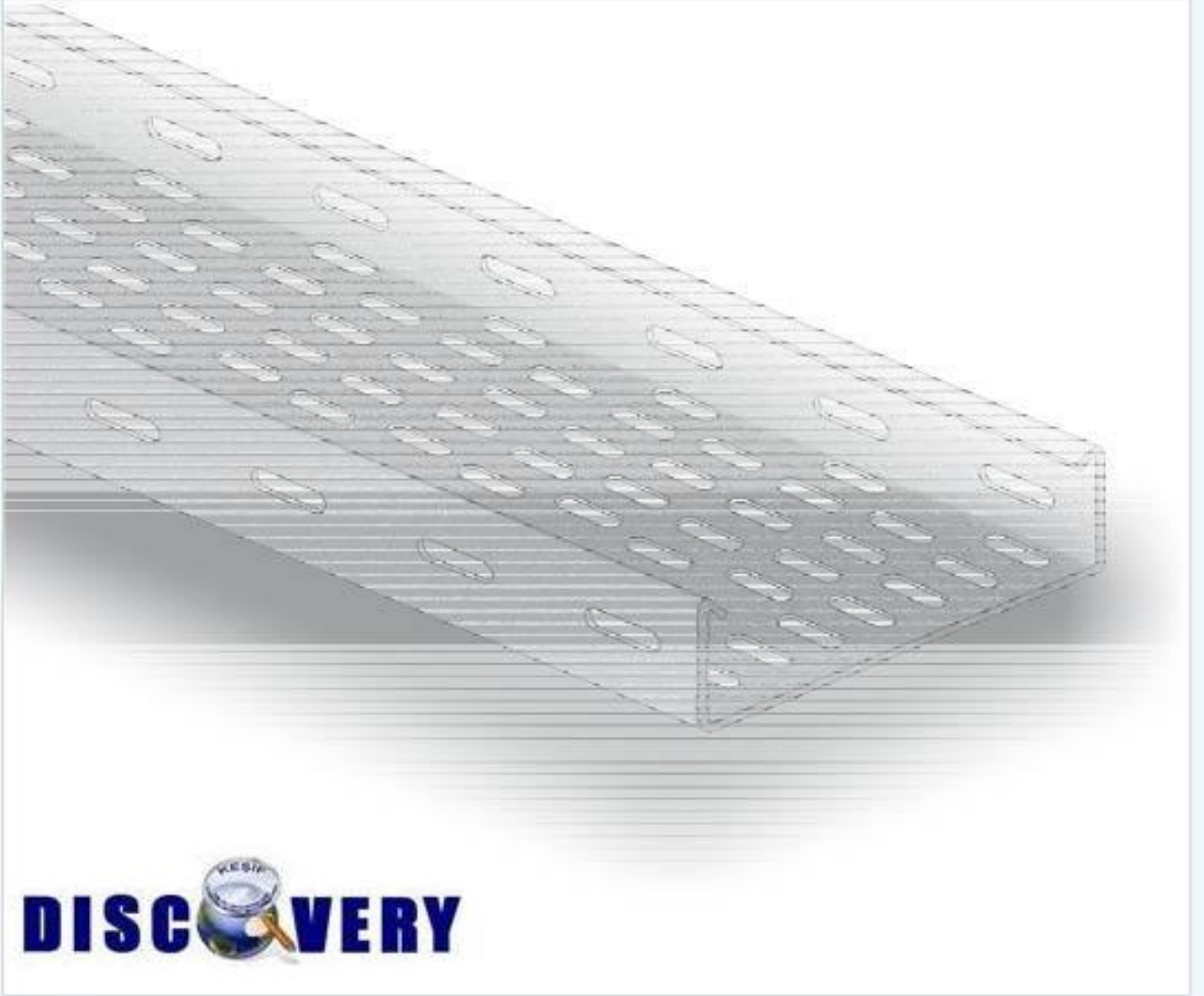
L: SOL / LEFT

R: SAĞ / RIGHT



AĞIR HİZMET KABLO KANALLARI HEAVY DUTY CABLE TRAYS

KANAL 40



Yüzey koruma:

Sıcak daldırma galvaniz TS 914

Pregalvaniz TS 822

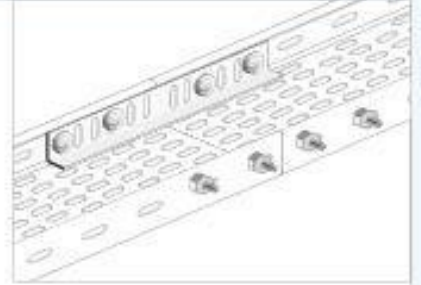
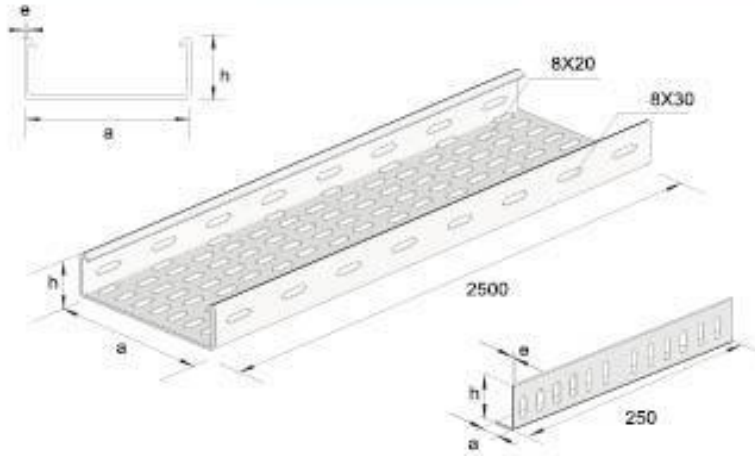
Beyaz elektro galvaniz TS 149

Sarı elektro galvaniz TS 149

Elektrostatik toz boya

AĞIR HİZMET KABLO KANALLARI HEAVY DUTY CABLE TRAYS

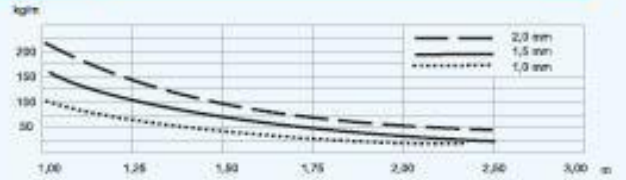
DISCOVERY



AĞIR HİZMET KABLO KANALLARI HEAVY DUTY CABLE TRAYS

SİP. KODU (Order Code)	a (mm)	h (mm)	e (mm)	kg/mt (kg/mt)
A 07-410	70	40	1,00	1,107
A 07-415	70	40	1,50	1,640
A 10-410	100	40	1,00	1,340
A 10-415	100	40	1,50	1,940
A 12-410	120	40	1,00	1,480
A 12-415	120	40	1,50	2,200
A 16-415	160	40	1,50	2,600
A 20-415	200	40	1,50	3,000
A 26-415	260	40	1,50	3,600
A 30-415	300	40	1,50	4,000
A 30-420	300	40	2,00	5,300
A 40-415	400	40	1,50	4,950
A 40-420	400	40	2,00	6,600
A 50-420	500	40	2,00	8,000
A 60-420	600	40	2,00	9,350

STATİK DEĞERLER STATIC VALUES



EK ELEMANI STRAIGHT CONNECTOR

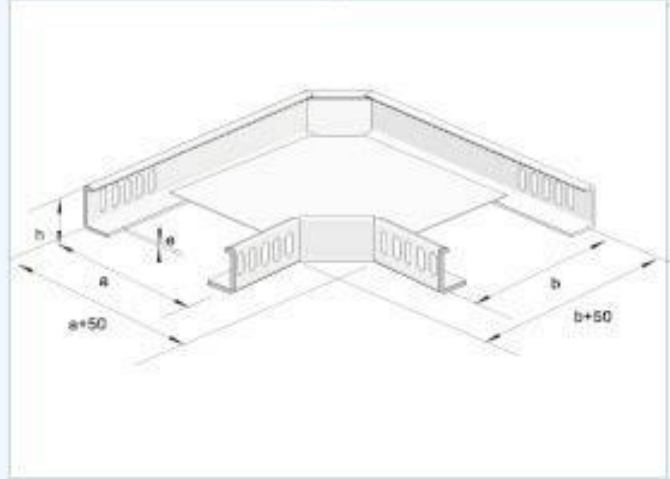
SİP. KODU (Order Code)	a (mm)	h (mm)	e (mm)	kg/ad. (kg/pce.)
A 1-4	15	35	1,50	0,135
A 2-4	40	35	2,00	0,270

AĞIR HİZMET KABLO KANALLARI HEAVY DUTY CABLE TRAYS



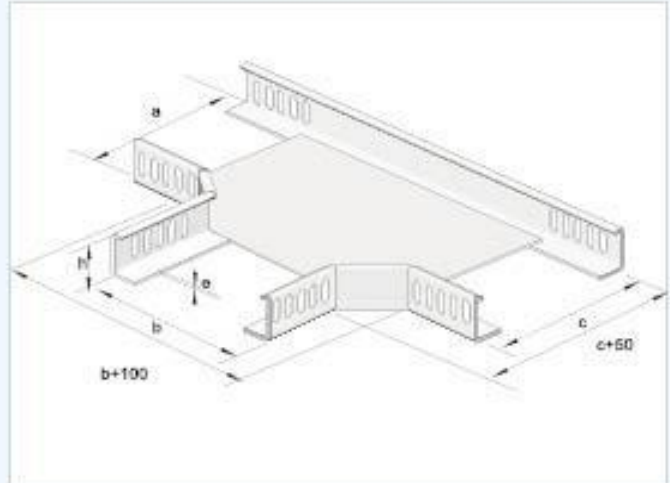
90° DÖNÜŞ ELEMANI HORIZONTAL BENDS 90°

SİP. KODU (Order Code)	a (mm)	h (mm)	e (mm)	Kg/ad. (kg/pce.)
A 107-415	75	40	1.50	0,480
A 110-415	105	40	1.50	0,640
A 112-415	125	40	1.50	0,710
A 116-415	165	40	1.50	0,940
A 120-415	205	40	1.50	1,260
A 126-415	265	40	1.50	1,730
A 130-420	305	40	2.00	2,800
A 140-420	405	40	2.00	4,220
A 150-420	505	40	2.00	6,220
A 160-420	605	40	2.00	7,920



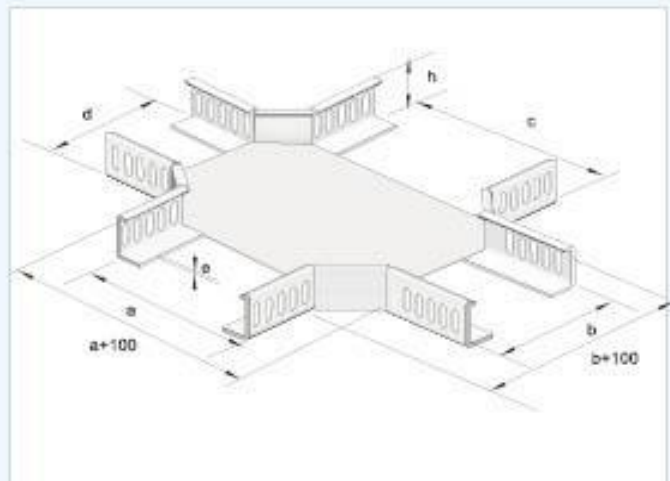
T DÖNÜŞ ELEMANI HORIZONTAL TEES

SİP. KODU (Order Code)	a (mm)	h (mm)	e (mm)	Kg/ad. (kg/pce.)
A 207-415	75	40	1.50	0,675
A 210-415	105	40	1.50	0,780
A 212-415	125	40	1.50	0,890
A 216-415	165	40	1.50	1,160
A 220-415	205	40	1.50	1,410
A 226-415	265	40	1.50	1,930
A 230-420	305	40	2.00	3,100
A 240-420	405	40	2.00	4,575
A 250-420	505	40	2.00	6,300
A 260-420	605	40	2.00	8,345



DÖRTLÜ BAĞLANTILAR QUADRUPLE HORIZONTAL CROSSINGS

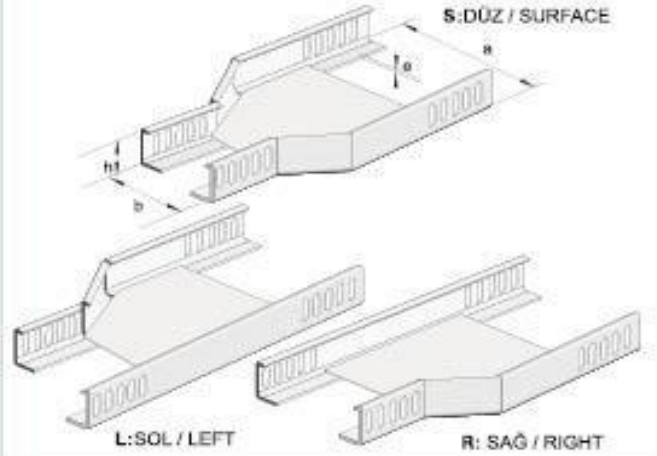
SİP. KODU (Order Code)	a (mm)	h (mm)	e (mm)	Kg/ad. (kg/pce.)
A 307-415	75	40	1.50	0,800
A 310-415	105	40	1.50	0,940
A 312-415	125	40	1.50	1,060
A 316-415	165	40	1.50	1,270
A 320-415	205	40	1.50	1,510
A 326-415	265	40	1.50	1,970
A 330-420	305	40	2.00	3,170
A 340-420	405	40	2.00	4,650
A 350-420	505	40	2.00	6,270
A 360-420	605	40	2.00	8,120



AĞIR HİZMET KABLO KANALLARI HEAVY DUTY CABLE TRAYS

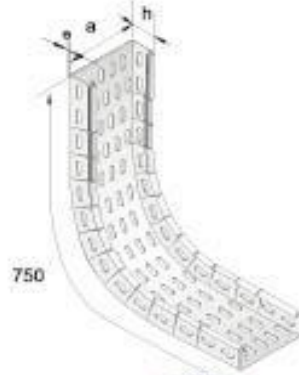
REDÜKSİYONLAR REDUCING ANGLES

SİP. KODU (Order Code)	a (mm)	h (mm)	e (mm)	Kg/ad. (kg/pce.)
A 410-415	105	40	1.50	0.500
A 412-415	125	40	1.50	0.590
A 416-415	165	40	1.50	0.790
A 420-415	205	40	1.50	1.040
A 426-415	265	40	1.50	1.470
A 430-420	305	40	2.00	2.410
A 440-420	405	40	2.00	3.810
A 450-420	505	40	2.00	5.490
A 460-420	605	40	2.00	7.500



İÇ BÜKEY ELEMANLAR VERTICAL ADJUSTABLE INSIDE BENDS

SİP. KODU (Order Code)	a (mm)	h (mm)	e (mm)	Kg/ad. (kg/pce.)
A 507-415	70	40	1.50	1.230
A 510-415	100	40	1.50	1.456
A 512-415	120	40	1.50	1.606
A 516-415	160	40	1.50	1.906
A 520-415	200	40	1.50	2.206
A 526-415	260	40	1.50	2.657
A 530-420	300	40	2.00	3.940
A 540-420	400	40	2.00	4.924
A 550-420	500	40	2.00	5.925
A 560-420	600	40	2.00	6.926



DISCOVERY

DİŞ BÜKEY ELEMANLAR VERTICAL ADJUSTABLE OUTSIDE BENDS

SİP. KODU (Order Code)	a (mm)	h (mm)	e (mm)	Kg/ad. (kg/pce.)
A 607-415	70	40	1.50	1.230
A 610-415	100	40	1.50	1.456
A 612-415	120	40	1.50	1.606
A 616-415	160	40	1.50	1.906
A 620-415	200	40	1.50	2.206
A 626-415	260	40	1.50	2.657
A 630-420	300	40	2.00	3.940
A 640-420	400	40	2.00	4.924
A 650-420	500	40	2.00	5.925
A 660-420	600	40	2.00	6.926



AĞIR HİZMET KABLO KANALLARI HEAVY DUTY CABLE TRAYS

KANAL 60

DISCOVERY



Yüzey koruma:

Sıcak daldırma galvaniz TS 914

Pregalvaniz TS 822

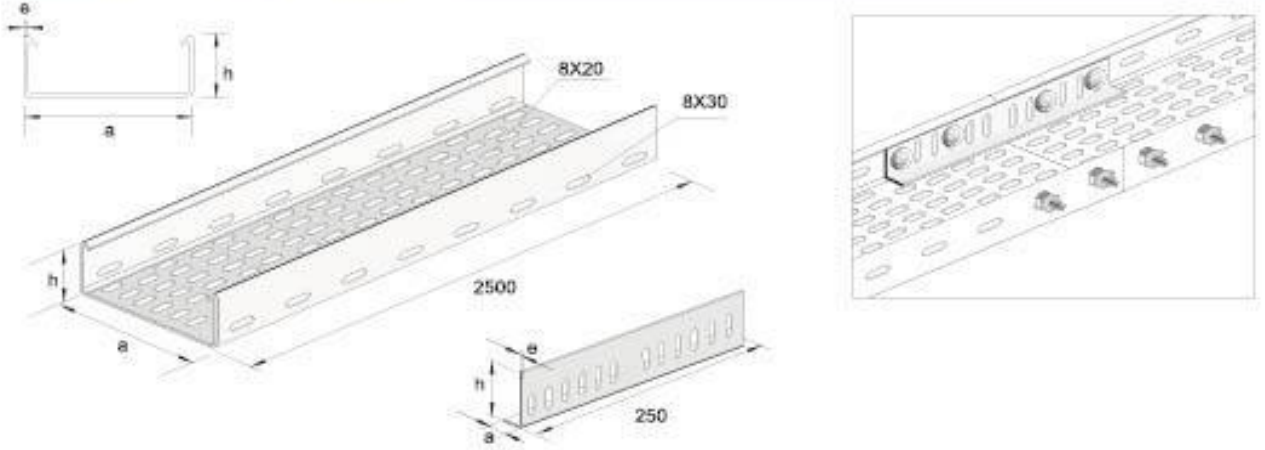
Beyaz elektro galvaniz TS 149

Sarı elektro galvaniz TS 149

Elektrostatik toz boya

AĞIR HİZMET KABLO KANALLARI HEAVY DUTY CABLE TRAYS

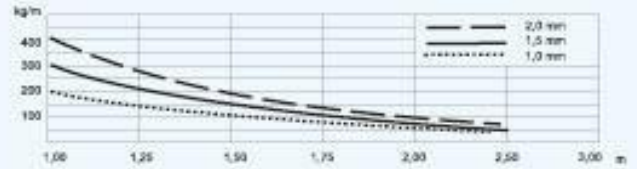
DISCOVERY



AĞIR HİZMET KABLO KANALLARI HEAVY DUTY CABLE TRAYS

SİP. KODU (Order Code)	a (mm)	h (mm)	e (mm)	kg/mt (kg/mt)
A 07-610	70	60	1.00	1.325
A 07-615	70	60	1.50	1.930
A 10-610	100	60	1.00	1.660
A 10-615	100	60	1.50	2.470
A 12-610	120	60	1.00	1.800
A 12-615	120	60	1.50	2.670
A 16-615	160	60	1.50	3.080
A 20-615	200	60	1.50	3.480
A 26-615	260	60	1.50	4.080
A 30-615	300	60	1.50	4.400
A 30-620	300	60	2.00	5.800
A 40-615	400	60	1.50	5.450
A 40-620	400	60	2.00	7.200
A 50-620	500	60	2.00	8.532
A 60-620	600	60	2.00	9.883

STATİK DEĞERLER STATIC VALUES



EK ELEMANI STRAIGHT CONNECTOR

SİP. KODU (Order Code)	a (mm)	h (mm)	e (mm)	kg/ad. (kg/pce.)
A 1-6	15	55	1,50	0,190
A 2-6	40	55	2,00	0,340

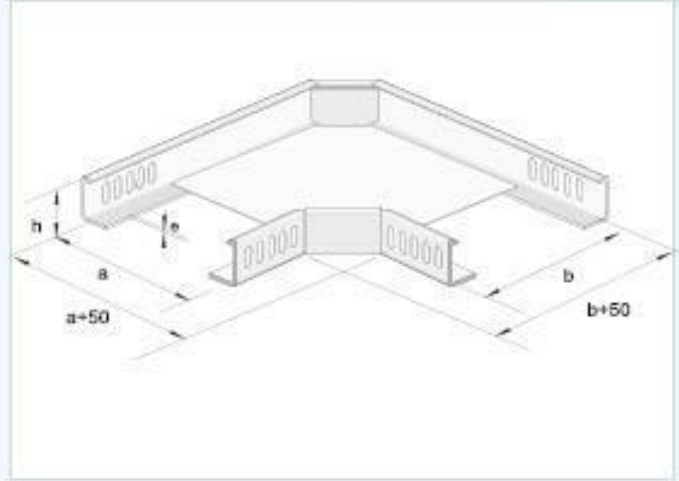
ĞİR HİZMET KABLO KANALLARI HEAVY DUTY CABLE TRAYS

KANAL 60

DISCOVERY

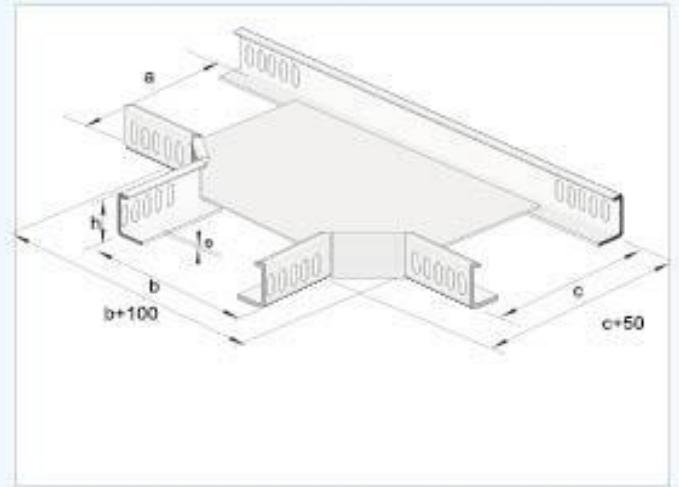
90° DÖNÜŞ ELEMANI HORIZONTAL BENDS 90°

SİP. KODU (Order Code)	a (mm)	h (mm)	e (mm)	kg/ad. (kg/pce.)
A 107-615	75	60	1,50	0,610
A 110-615	105	60	1,50	0,775
A 112-615	125	60	1,50	0,860
A 116-615	165	60	1,50	1,110
A 120-615	205	60	1,50	1,445
A 126-615	265	60	1,50	1,945
A 130-620	305	60	2,00	3,110
A 140-620	405	60	2,00	4,595
A 150-620	505	60	2,00	6,665
A 160-620	605	60	2,00	8,390



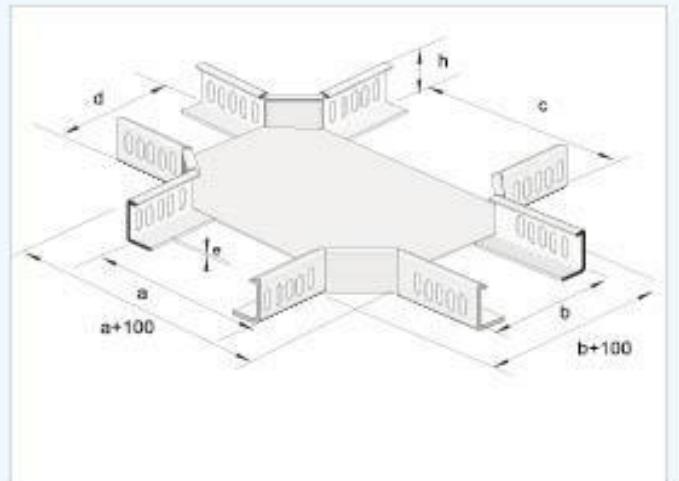
T DÖNÜŞ ELEMANI HORIZONTAL TEES

SİP. KODU (Order Code)	a (mm)	h (mm)	e (mm)	kg/ad. (kg/pce.)
A 207-615	75	60	1,50	0,830
A 210-615	105	60	1,50	0,945
A 212-615	125	60	1,50	1,060
A 216-615	165	60	1,50	1,340
A 220-615	205	60	1,50	1,600
A 226-615	265	60	1,50	2,130
A 230-620	305	60	2,00	3,380
A 240-620	405	60	2,00	4,890
A 250-620	505	60	2,00	6,845
A 260-620	605	60	2,00	8,720



DÖRTLÜ BAĞLANTILAR QUADRUPLE HORIZONTAL CROSSINGS

SİP. KODU (Order Code)	a (mm)	h (mm)	e (mm)	kg/ad. (kg/pce.)
A 307-615	75	60	1,50	0,975
A 310-615	105	60	1,50	1,250
A 312-615	125	60	1,50	1,345
A 316-615	165	60	1,50	1,445
A 320-615	205	60	1,50	1,695
A 326-615	265	60	1,50	2,150
A 330-620	305	60	2,00	3,410
A 340-620	405	60	2,00	5,010
A 350-620	505	60	2,00	6,825
A 360-620	605	60	2,00	9,350

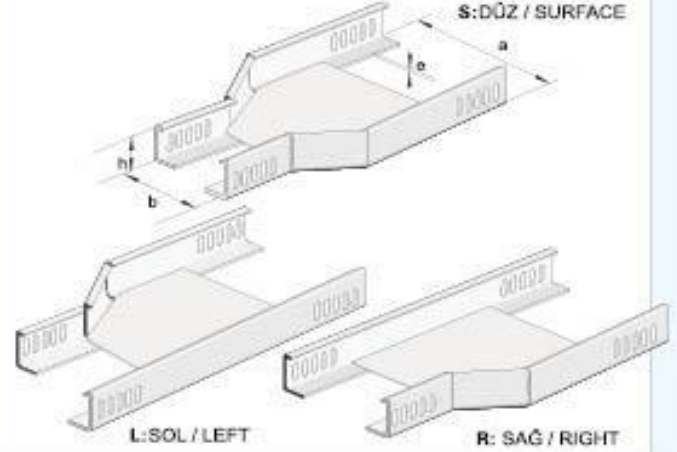


AĞIR HİZMET KABLO KANALLARI HEAVY DUTY CABLE TRAYS

DISCOVERY

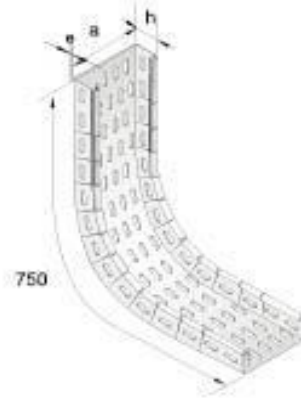
REDÜKSİYONLAR REDUCING ANGLES

SİP. KODU (Order Code)	a (mm)	h (mm)	e (mm)	kg/ad. (kg/pce.)
A 410-615	105	60	1.50	0.600
A 412-615	125	60	1.50	0.700
A 416-615	165	60	1.50	0.930
A 420-615	205	60	1.50	1.200
A 426-615	265	60	1.50	1.660
A 430-620	305	60	2.00	2.680
A 440-620	405	60	2.00	4.260
A 450-620	505	60	2.00	5.650
A 460-620	605	60	2.00	7.920



İÇ BÜKEY ELEMANLAR VERTICAL ADJUSTABLE INSIDE BENDS

SİP. KODU (Order Code)	a (mm)	h (mm)	e (mm)	kg/ad. (kg/pce.)
A 507-615	70	60	1.50	1.550
A 510-615	100	60	1.50	1.770
A 512-615	120	60	1.50	1.920
A 516-615	160	60	1.50	2.206
A 520-615	200	60	1.50	2.507
A 526-615	260	60	1.50	2.957
A 530-620	300	60	2.00	4.343
A 540-620	400	60	2.00	5.325
A 550-620	500	60	2.00	6.325
A 560-620	600	60	2.00	7.326



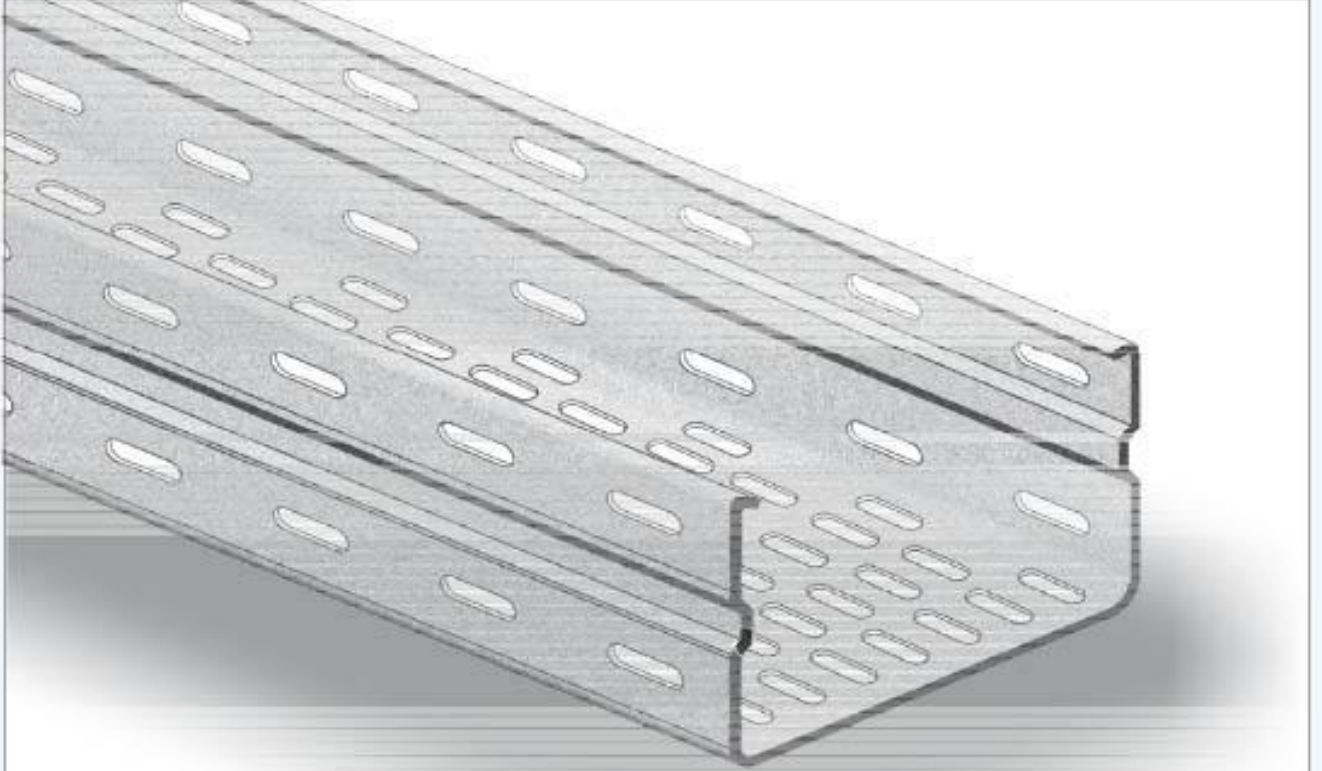
DIŞ BÜKEY ELEMANLAR VERTICAL ADJUSTABLE OUTSIDE BENDS

SİP. KODU (Order Code)	a (mm)	h (mm)	e (mm)	kg/ad. (kg/ad.)
A 607-615	70	60	1.50	1.550
A 610-615	100	60	1.50	1.770
A 612-615	120	60	1.50	1.920
A 616-615	160	60	1.50	2.206
A 620-615	200	60	1.50	2.507
A 626-615	260	60	1.50	2.957
A 630-620	300	60	2.00	4.343
A 640-620	400	60	2.00	5.325
A 650-620	500	60	2.00	6.325
A 660-620	600	60	2.00	7.326



AĞIR HİZMET KABLO KANALLARI HEAVY DUTY CABLE TRAYS

KANAL100



Yüzey koruma:

Sıcak daldırma galvaniz TS 914

Pregalvaniz TS 822

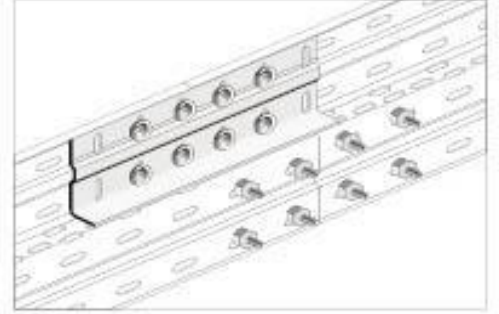
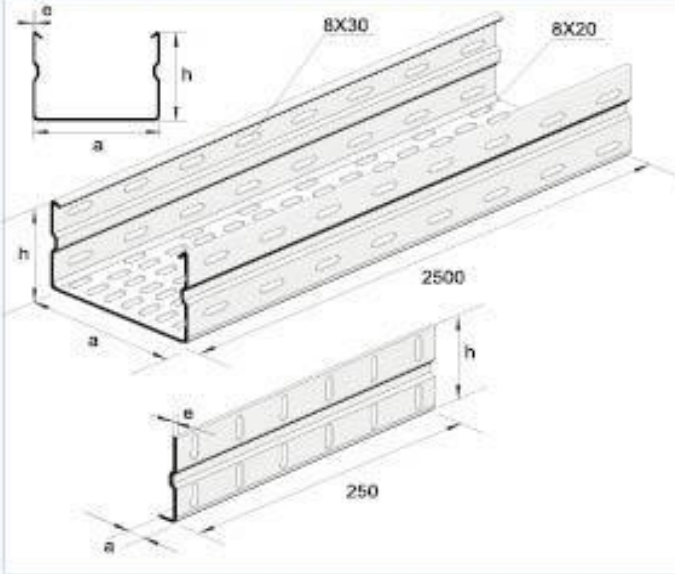
Beyaz elektro galvaniz TS 149

Sarı elektro galvaniz TS 149

Elektrostatik toz boya

AĞIR HİZMET KABLO KANALLARI HEAVY DUTY CABLE TRAYS

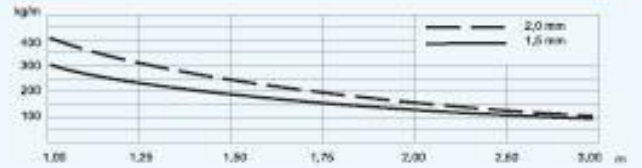
DISCOVERY



AĞIR HİZMET KABLO KANALLARI HEAVY DUTY CABLE TRAYS

SİP. KODU (Order Code)	a (mm)	h (mm)	e (mm)	kg/mt (kg/mt)
H 12-1015	120	100	1,50	3,450
H 16-1015	160	100	1,50	3,850
H 20-1015	200	100	1,50	4,250
H 26-1015	260	100	1,50	4,860
H 30-1020	300	100	2,00	7,020
H 40-1020	400	100	2,00	8,370
H 50-1020	500	100	2,00	9,720
H 60-1020	600	100	2,00	11,070

STATİK DEĞERLER STATIC VALUES

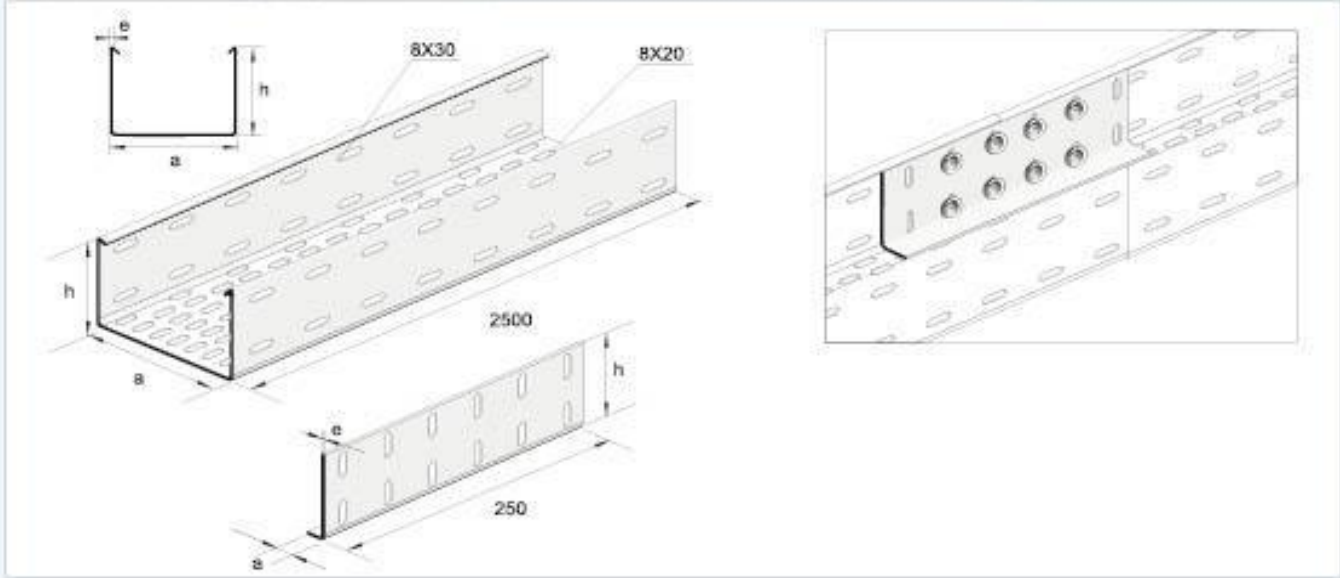


EK ELEMANI STRAIGHT CONNECTOR

SİP. KODU (Order Code)	a (mm)	h (mm)	e (mm)	kg/ad. (kg/pce.)
A 1-10	20	94	2,00	0,471
A 2-10	40	94	2,00	0,505

AĞIR HİZMET KABLO KANALLARI HEAVY DUTY CABLE TRAYS

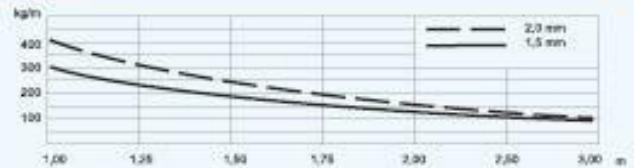
DISCOVERY



AĞIR HİZMET KABLO KANALLARI-*düz tip* HEAVY DUTY CABLE TRAYS

SİP. KODU (Order Code)	a (mm)	h (mm)	e (mm)	kg/mt (kg/mt)
DH 12-1015	120	100	1.50	3,450
DH 16-1015	160	100	1.50	3,850
DH 20-1015	200	100	1.50	4,250
DH 26-1015	260	100	1.50	4,860
DH 30-1020	300	100	2.00	7,020
DH 40-1020	400	100	2.00	8,370
DH 50-1020	500	100	2.00	9,720
DH 60-1020	600	100	2.00	11,070

STATİK DEĞERLER STATIC VALUES



EK ELEMANI-*düz tip* STRAIGHT CONNECTOR

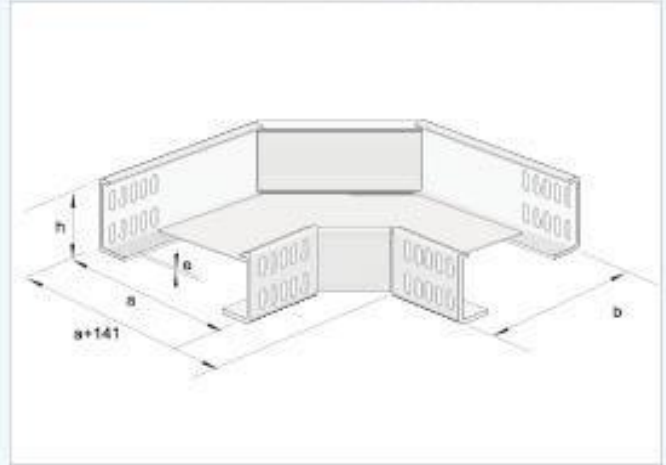
SİP. KODU (Order Code)	a (mm)	h (mm)	e (mm)	kg/ad. (kg/pce.)
DA 1-10	20	94	2,00	0,415
DA 2-10	40	94	2,00	0,490

AĞIR HİZMET KABLO KANALLARI HEAVY DUTY CABLE TRAYS

DISCOVERY

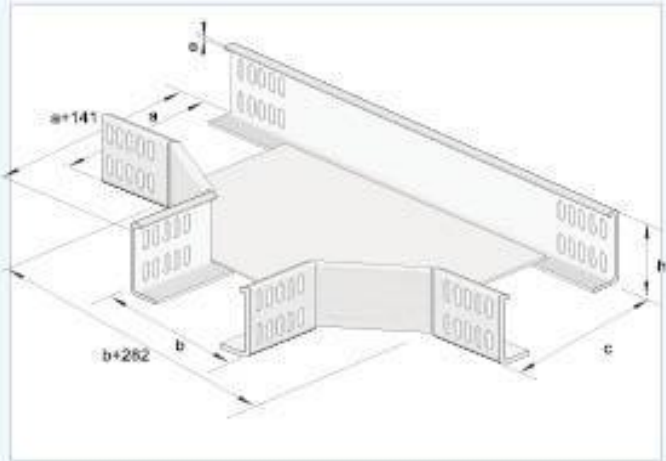
90° DÖNÜŞ ELEMANI HORIZONTAL BENDS 90°

SİP. KODU (Order Code)	a (mm)	h (mm)	e (mm)	kg/ad. (kg/pce.)
H 112-1015	125	100	1.50	2,250
H 116-1015	165	100	1.50	2,850
H 120-1015	205	100	1.50	3,300
H 126-1015	265	100	1.50	4,050
H 130-1020	305	100	2.00	6,100
H 140-1020	405	100	2.00	8,100
H 150-1020	505	100	2.00	10,500
H 160-1020	605	100	2.00	13,100



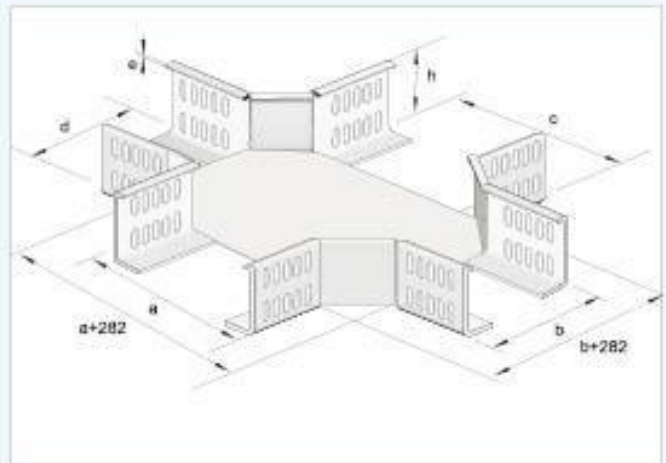
T DÖNÜŞ ELEMANI HORIZONTAL TEES

SİP. KODU (Order Code)	a (mm)	h (mm)	e (mm)	kg/ad. (kg/pce.)
H 212-1215	125	100	1.50	3,400
H 216-1015	165	100	1.50	3,980
H 220-1015	205	100	1.50	4,400
H 226-1015	265	100	1.50	5,200
H 230-1020	305	100	2.00	7,600
H 240-1020	405	100	2.00	9,650
H 250-1020	505	100	2.00	11,900
H 260-1020	605	100	2.00	14,700



DÖRTLÜ BAĞLANTILAR QUADRUPLE HORIZONTAL CROSSINGS

SİP. KODU (Order Code)	a (mm)	h (mm)	e (mm)	kg/ad. (kg/pce.)
H 312-1015	125	100	1.50	4,200
H 316-1015	165	100	1.50	4,800
H 320-1015	205	100	1.50	5,250
H 326-1015	265	100	1.50	5,600
H 330-1020	305	100	2.00	8,700
H 340-1020	405	100	2.00	10,750
H 350-1020	505	100	2.00	13,150
H 360-1020	605	100	2.00	15,830

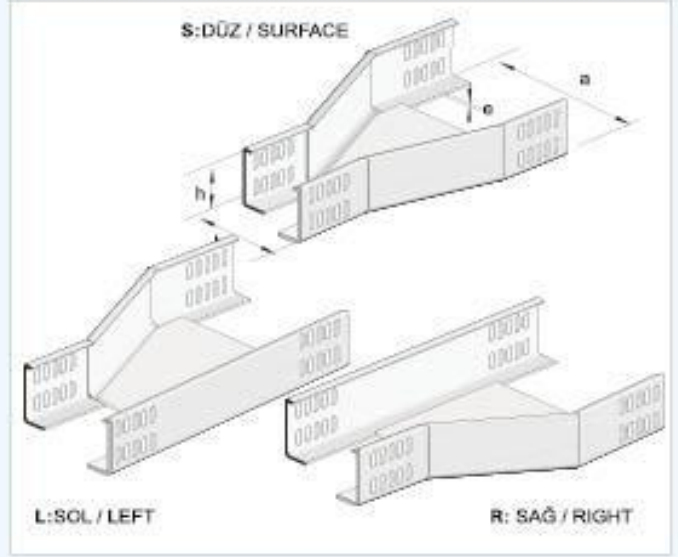


AĞIR HİZMET KABLO KANALLARI HEAVY DUTY CABLE TRAYS



REDÜKSİYONLAR REDUCING ANGLES

SİP. KODU (Order Code)	a (mm)	h (mm)	e (mm)	kg/ad. (kg/pce.)
H 416-1015	165	100	1.50	1.630
H 420-1015	205	100	1.50	1.930
H 426-1015	265	100	1.50	2.450
H 430-1020	305	100	2.00	3.775
H 440-1020	405	100	2.00	5.400
H 450-1020	505	100	2.00	7.280
H 460-1020	605	100	2.00	9.500



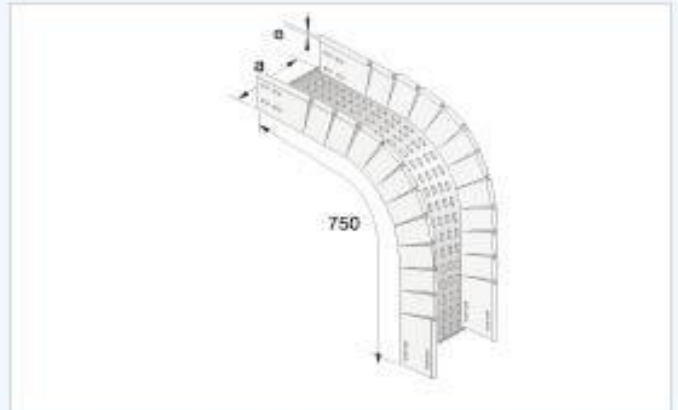
İÇ BÜKEY ELEMANLAR VERTICAL ADJUSTABLE INSIDE BENDS

SİP. KODU (Order Code)	a (mm)	h (mm)	e (mm)	kg/ad. (kg/pce.)
H 512-1015	105	100	1.50	2.506
H 516-1015	165	100	1.50	2.810
H 520-1015	205	100	1.50	3.110
H 526-1015	265	100	1.50	3.560
H 530-1020	305	100	2.00	5.150
H 540-1020	405	100	2.00	6.125
H 550-1020	505	100	2.00	7.125
H 560-1020	605	100	2.00	8.130



DIŞ BÜKEY ELEMANLAR VERTICAL ADJUSTABLE OUTSIDE BENDS

SİP. KODU (Order Code)	a (mm)	h (mm)	e (mm)	kg/ad. (kg/pce.)
H 612-1015	105	100	1.50	2.506
H 616-1015	165	100	1.50	2.810
H 620-1015	205	100	1.50	3.110
H 626-1015	265	100	1.50	3.560
H 630-1020	305	100	2.00	5.150
H 640-1020	405	100	2.00	6.125
H 650-1020	505	100	2.00	7.125
H 660-1020	605	100	2.00	8.130



KANAL AKSESUARLARI

ACCESSORIES FOR CABLE TRAYS

DISCOVERY

SEVİYE DEĞİŞTİRME ELEMANLARI

LEVEL CHANGE UNITS

SİP. KODU (Order Code)	a (mm)	L (mm)	e (mm)	kg/ad. (kg/pce.)
SD 4	40	150	2.00	0,500
SD 6	60	150	2.00	0,690
SD 10	100	150	2.00	1,100

KANAL ÜSTÜ PRİZ VE SİGORTA MONTAJ ELEMANI

SOCKETS AND FUSES FIXING UNIT ON THE TRAYS

SİP. KODU (Order Code)	a (mm)	h (mm)	e (mm)	kg/ad. (kg/pce.)
PK 07	74	135	1.00	0.442
PK 10	104	135	1.00	0.480
PK 12	124	135	1.00	0.507
PK 16	164	135	1.50	0.840
PK 20	204	135	1.50	0.917

SEPERATÖRLER

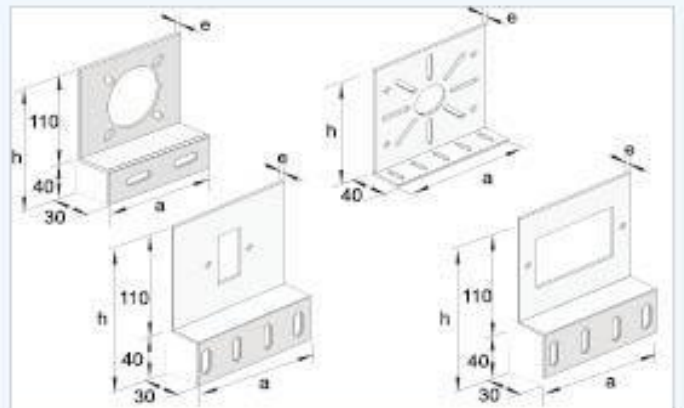
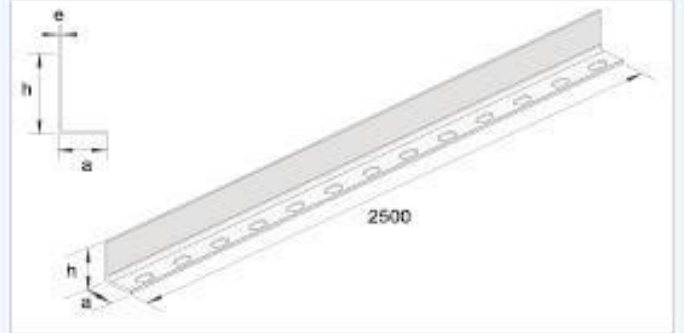
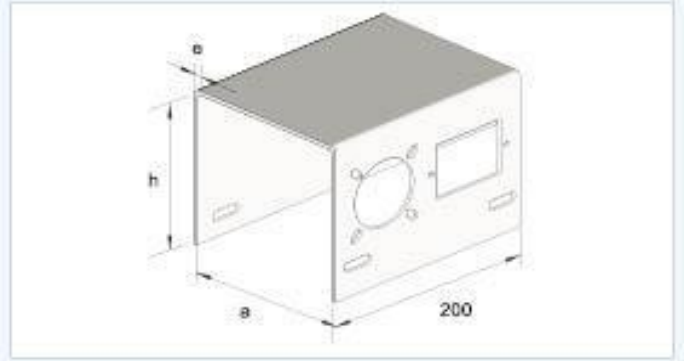
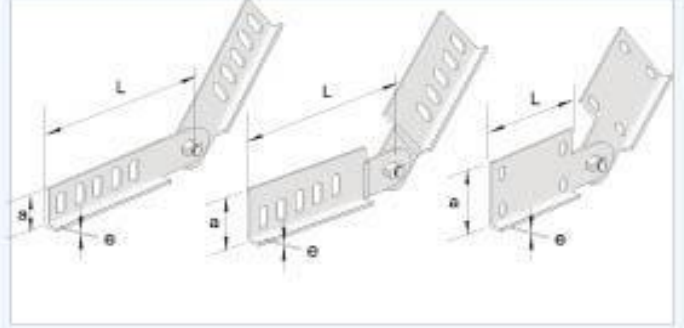
SEPARATORS

SİP. KODU (Order Code)	a (mm)	h (mm)	e (mm)	kg/mt (kg/mt)
SP 40	20	33	1,50	0,540
SP 60	20	53	1,50	0,750
SP 100	20	77	1,50	1,320

KANAL PRİZ TAŞIYICILAR

SOCKET FIXING UNIT ON THE TRAYS

SİP. KODU (Order Code)	a (mm)	h (mm)	e (mm)	kg/ad. (kg/pce.)
PT 1	100	150	2.00	0.250
PT 2	100	150	2.00	0.250
PT 3	100	150	200	0.250



KANAL AKSESUARLARI ACCESSORIES FOR CABLE TRAYS

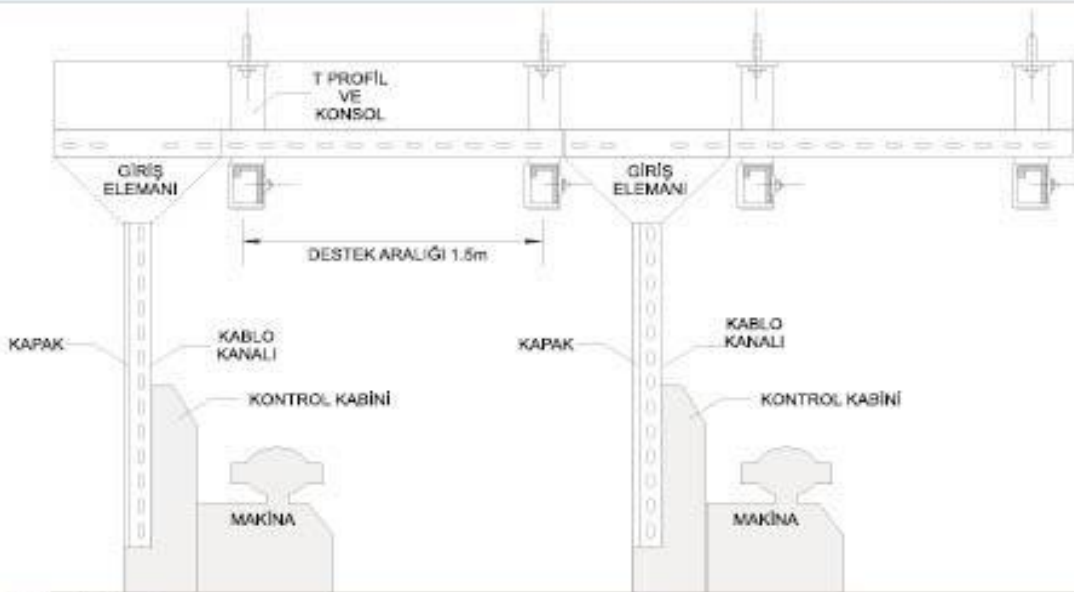
DISCOVERY

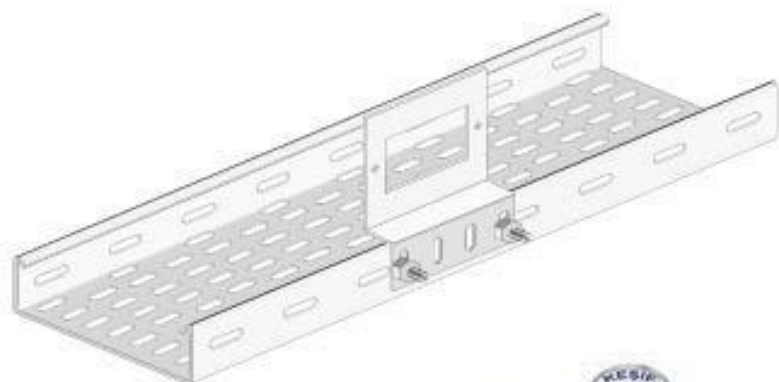
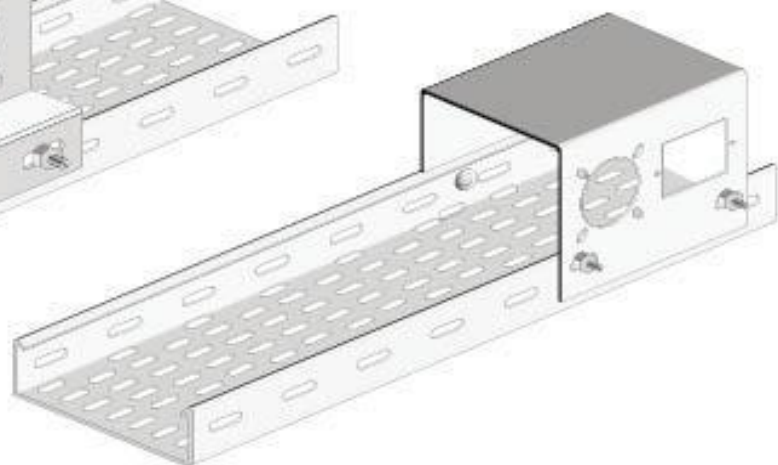
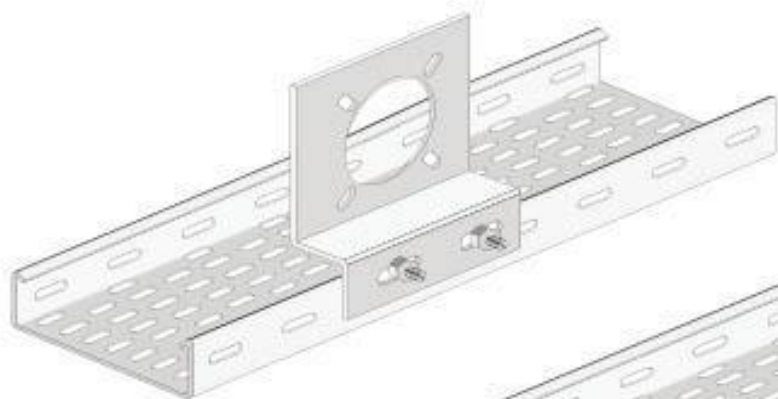
DİKEY T BAĞLANTILAR VERTICAL TEES

SİP. KODU (Order Code)	L (mm)	a (mm)	y (mm)	e (mm)	kg/ad. (kg/pce.)
D210-415	360	100	150	1,50	2,150
D212-415	400	120	150	1,50	2,430
D216-415	480	160	150	1,50	2,970
D220-415	560	200	150	1,50	3,520
D226-415	680	260	250	1,50	6,600
D230-415	760	300	250	1,50	9,900
D240-420	960	400	350	2,00	17,100
D250-420	1160	500	350	2,00	20,250
D260-420	1360	600	350	2,00	24,650

DİKEY T BAĞLANTILAR VERTICAL TEES

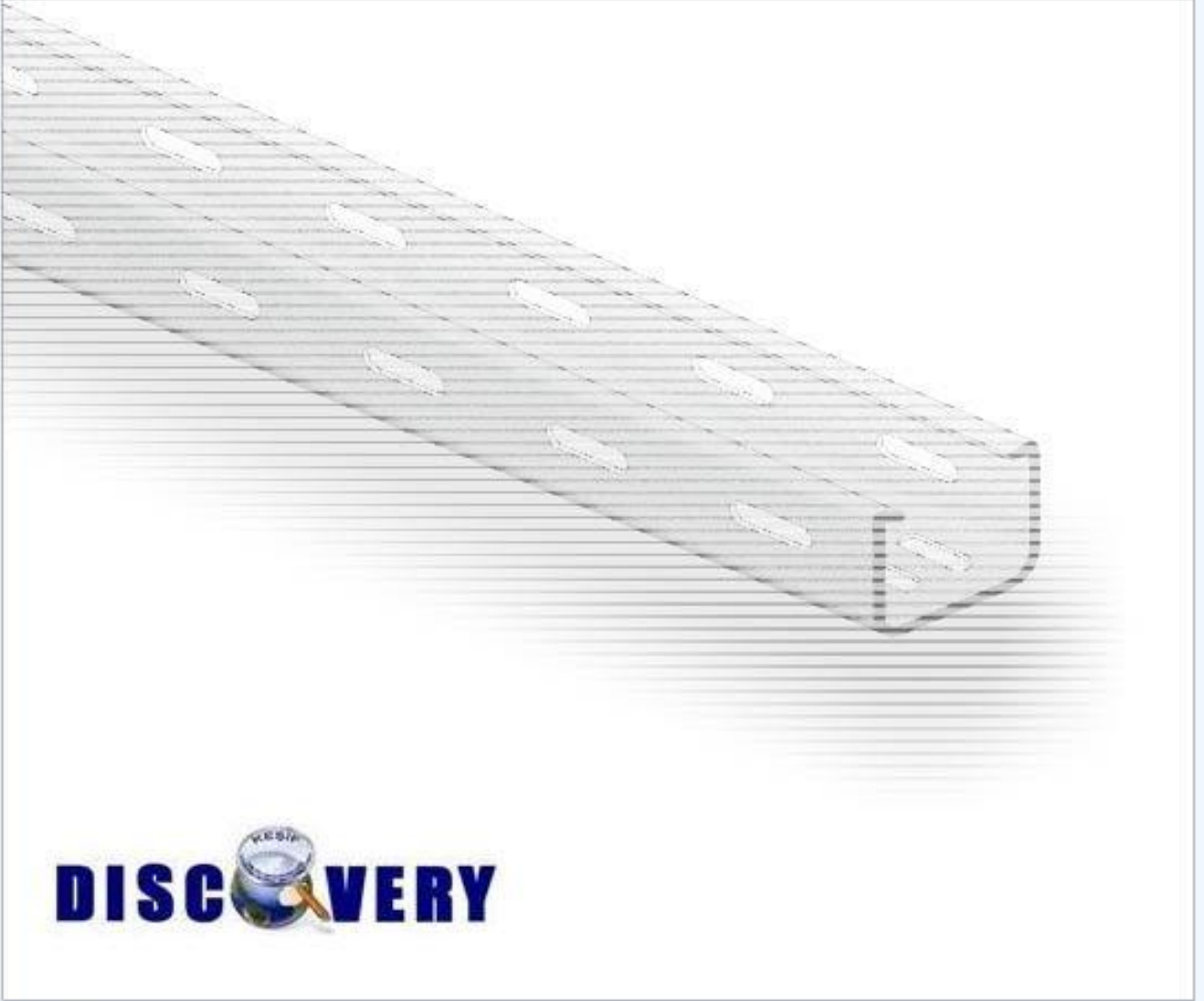
SİP. KODU (Order Code)	L (mm)	a (mm)	y (mm)	e (mm)	kg/ad. (kg/pce.)
D210-615	360	100	150	1,50	2,320
D212-615	400	120	150	1,50	2,620
D216-615	480	160	150	1,50	3,200
D220-615	560	200	150	1,50	3,800
D226-615	680	260	250	1,50	6,930
D230-615	760	300	250	1,50	10,430
D240-620	960	400	350	2,00	17,700
D250-620	1160	500	350	2,00	21,600
D260-620	1360	600	350	2,00	25,500



MONTAJ ÖRNEKLERİ
MOUNTING EXAMPLES**DISC**  **VERY**

ARMATÜR KANALLARI ARMATURE CABLE TRAYS

ARMATÜR



Yüzey koruma:

Sıcak daldırma galvaniz TS 914

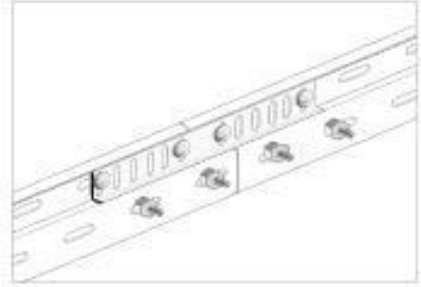
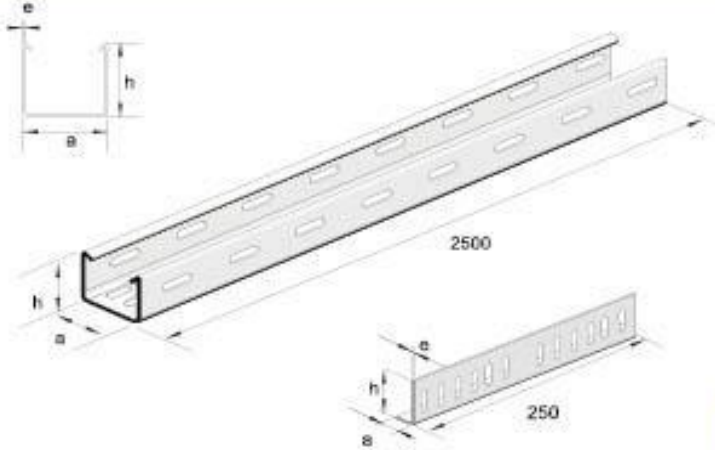
Beyaz elektro galvaniz TS 149

Sarı elektro galvaniz TS 149

Elektrostatik toz boya

ARMATÜR KANALLARI

ARMATURE CABLE TRAYS



DISCOVERY

ARMATÜR KANALLARI

ARMATURE CABLE TRAYS

SİP. KODU (Order Code)	a (mm)	h (mm)	e (mm)	kg/mt (kg/mt)
A 05-310	50	32	1,00	0,870
A 05-315	50	32	1,50	1,280

EK ELEMANI

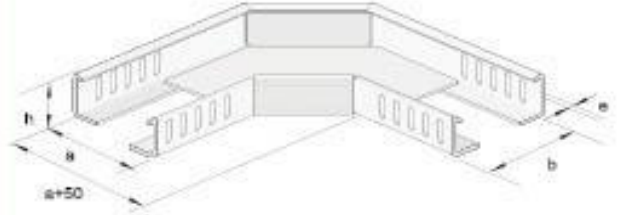
STRAIGHT CONNECTOR

SİP. KODU (Order Code)	a (mm)	h (mm)	e (mm)	kg/ad. (kg/pce.)
A 1-5	15	28	1,50	0,110

ARMATÜR KANALLARI ARMATURE CABLE TRAYS

90° DÖNÜŞ ELEMANI HORIZONTAL BENDS 90°

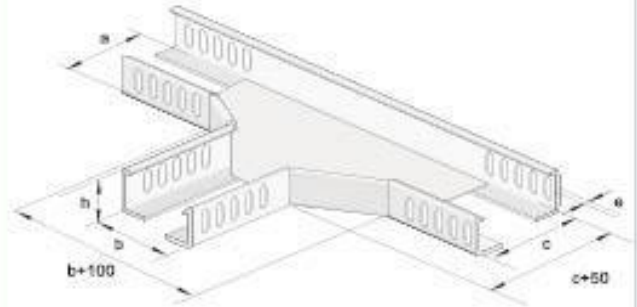
SİP. KODU (Order Code)	a (mm)	h (mm)	e (mm)	kg/ad. (kg/pce.)
A 105-315	55	32	1.50	0,345



DISCOVERY

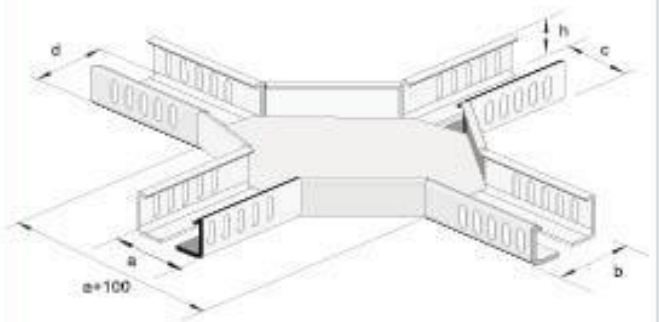
T DÖNÜŞ ELEMANI HORIZONTAL TEES

SİP. KODU (Order Code)	a (mm)	h (mm)	e (mm)	kg/ad. (kg/pce.)
A 205-315	55	32	1.50	0,565



DÖRTLÜ BAĞLANTILAR QUADRUPLE HORIZONTAL CROSSINGS

SİP. KODU (Order Code)	a (mm)	h (mm)	e (mm)	kg/ad. (kg/pce.)
3 A 305-315	55	32	1.50	0,695



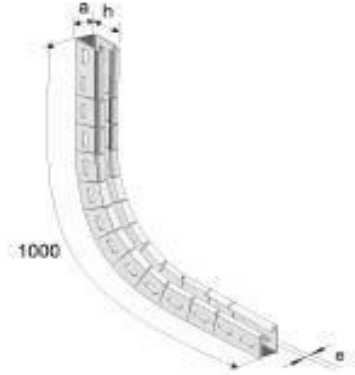
ARMATÜR KANALLARI

ARMATURE CABLE TRAYS

İÇ BÜKEY ELEMANLAR

VERTICAL ADJUSTABLE INSIDE BENS

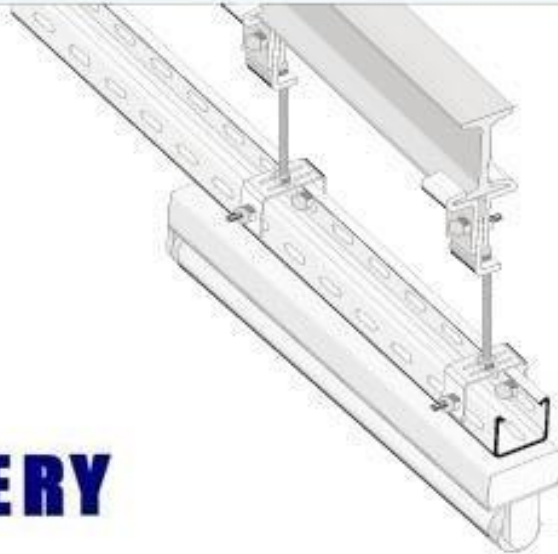
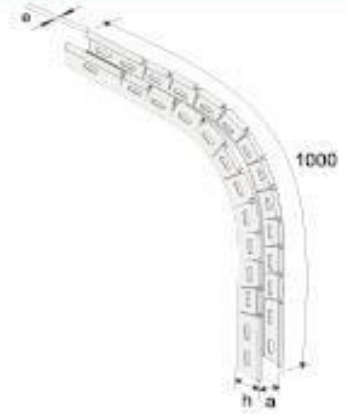
SİP. KODU (Order Code)	a (mm)	h (mm)	e (mm)	kg/ad. (kg/pce.)
A 505-315	50	32	1.50	0,960



DIŞ BÜKEY ELEMANLAR

VERTICAL ADJUSTABLE INSIDE BENS

SİP. KODU (Order Code)	a (mm)	h (mm)	e (mm)	kg/ad. (kg/pce.)
A 605-315	50	32	1.50	0,960



DISCOVERY

KANAL KAPAKLARI COVERS

KAPAK



Yüzey koruma:

Sıcak daldırma galvaniz TS 914

Pregalvaniz TS 822

Beyaz elektro galvaniz TS 149

Sarı elektro galvaniz TS 149

Elektrostatik toz boya

KANAL KAPAKLARI
COVERSKANAL KAPAKLARI
COVERS

SİP. KODU (Order Code)	a (mm)	h (mm)	e (mm)	kg/mt (kg/mt)
K 05-10	54	15	1.00	0.630
K 07-10	74	15	1.00	0.780
K 10-10	104	15	1.00	1.020
K 12-10	124	15	1.00	1.180
K 16-10	164	15	1.00	1.491
K 20-10	204	15	1.00	1.805
K 26-10	264	15	1.00	2.276
K 30-15	304	15	1.50	3.870
K 40-15	404	15	1.50	5.063
K 50-15	504	15	1.50	6.240
K 60-15	604	15	1.50	7.418

KAPAK KELEPÇELERİ
COVER CLAMP

SİP. KODU (Order Code)	a (mm)	h (mm)	e (mm)	kg/ad (kg/pce.)
KT-4	25	40	2.00	0.027
KT-5	25	50	2.00	0.030
KT-6	25	60	2.00	0.030
KT-7	25	70	2.00	0.036
KT-10	25	100	2.00	0.045



KANAL KAPAKLARI
COVERS90° DÖNÜŞ KAPAKLARI
COVER BENDS 90°

SİP KODU (Order Code)	a (mm)	h (mm)	e (mm)	kg/ad (kg/pce.)
K 107-10	74	15	1.00	0.190
K 110-10	104	15	1.00	0.270
K 112-10	124	15	1.00	0.330
K 116-10	164	15	1.00	0.475
K 120-10	204	15	1.00	0.630
K 126-10	264	15	1.00	0.935
K 130-15	304	15	1.50	1.750
K 140-15	404	15	1.50	2.770
K 150-15	504	15	1.50	4.030
K 160-15	604	15	1.50	5.495

T DÖNÜŞ KAPAKLARI
COVER TEES

SİP KODU (Order Code)	a (mm)	h (mm)	e (mm)	kg/ad (kg/pce.)
K 205-10	54	15	1.00	0.190
K 207-10	74	15	1.00	0.240
K 210-10	104	15	1.00	0.320
K 212-10	124	15	1.00	0.385
K 216-10	164	15	1.00	0.530
K 220-10	204	15	1.00	0.700
K 226-10	264	15	1.00	1.000
K 230-15	304	15	1.50	1.790
K 240-15	404	15	1.50	2.870
K 250-15	504	15	1.50	4.130
K 260-15	604	15	1.50	5.620

DÖRTLÜ DÖNÜŞ KAPAKLARI
COVER CROSSINGS

SİP KODU (Order Code)	a (mm)	h (mm)	e (mm)	kg/ad (kg/pce.)
K 305-10	54	15	1.00	0.245
K 307-10	74	15	1.00	0.295
K 310-10	104	15	1.00	0.385
K 312-10	124	15	1.00	0.450
K 316-10	164	15	1.00	0.600
K 320-10	204	15	1.00	0.760
K 326-10	264	15	1.00	0.865
K 330-15	304	15	1.50	1.985
K 340-15	404	15	1.50	3.035
K 350-15	504	15	1.50	4.315
K 360-15	604	15	1.50	5.825

Ölçüler mm. dir. (Dimensions in mm.)

DISCOVERY



REDÜKSİYON KAPAKLARI
COVER REDUCING

SİP. KODU (Order Code)	a (mm)	h (mm)	e (mm)	kg/ad (kg/pce.)
K 407-10	74	15	1.00	0.078
K 410-10	104	15	1.00	0.128
K 412-10	124	15	1.00	0.170
K 416-10	164	15	1.00	0.275
K 420-10	204	15	1.00	0.405
K 426-10	264	15	1.00	0.640
K 430-15	304	15	1.50	1.245
K 440-15	404	15	1.50	2.105
K 450-15	504	15	1.50	3.190
K 460-15	604	15	1.50	4.500

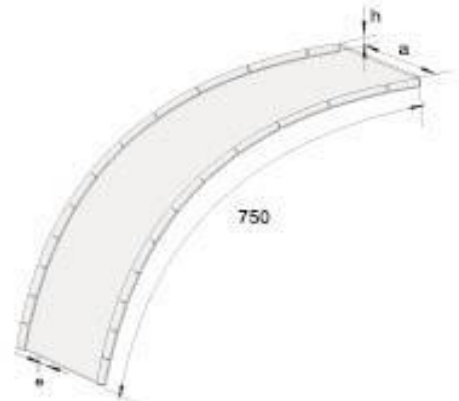
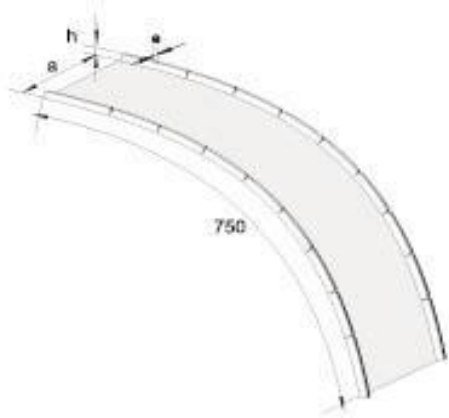
İÇ BÜKEY DÖNÜŞ KAPAKLARI
COVER VERTICAL INSIDE BENDS

SİP. KODU (Order Code)	a (mm)	h (mm)	e (mm)	kg/ad (kg/pce.)
K 505-10	54	15	1.00	0.470
K 507-10	74	15	1.00	0.590
K 510-10	104	15	1.00	0.765
K 512-10	124	15	1.00	0.883
K 516-10	164	15	1.00	1.118
K 520-10	204	15	1.00	1.354
K 526-10	264	15	1.00	1.707
K 530-15	304	15	1.50	2.914
K 540-15	404	15	1.50	3.797
K 550-15	504	15	1.50	4.680
K 560-15	604	15	1.50	5.564

DİŞBÜKEY DÖNÜŞ KAPAKLARI
COVER VERTICAL INSIDE BENDS

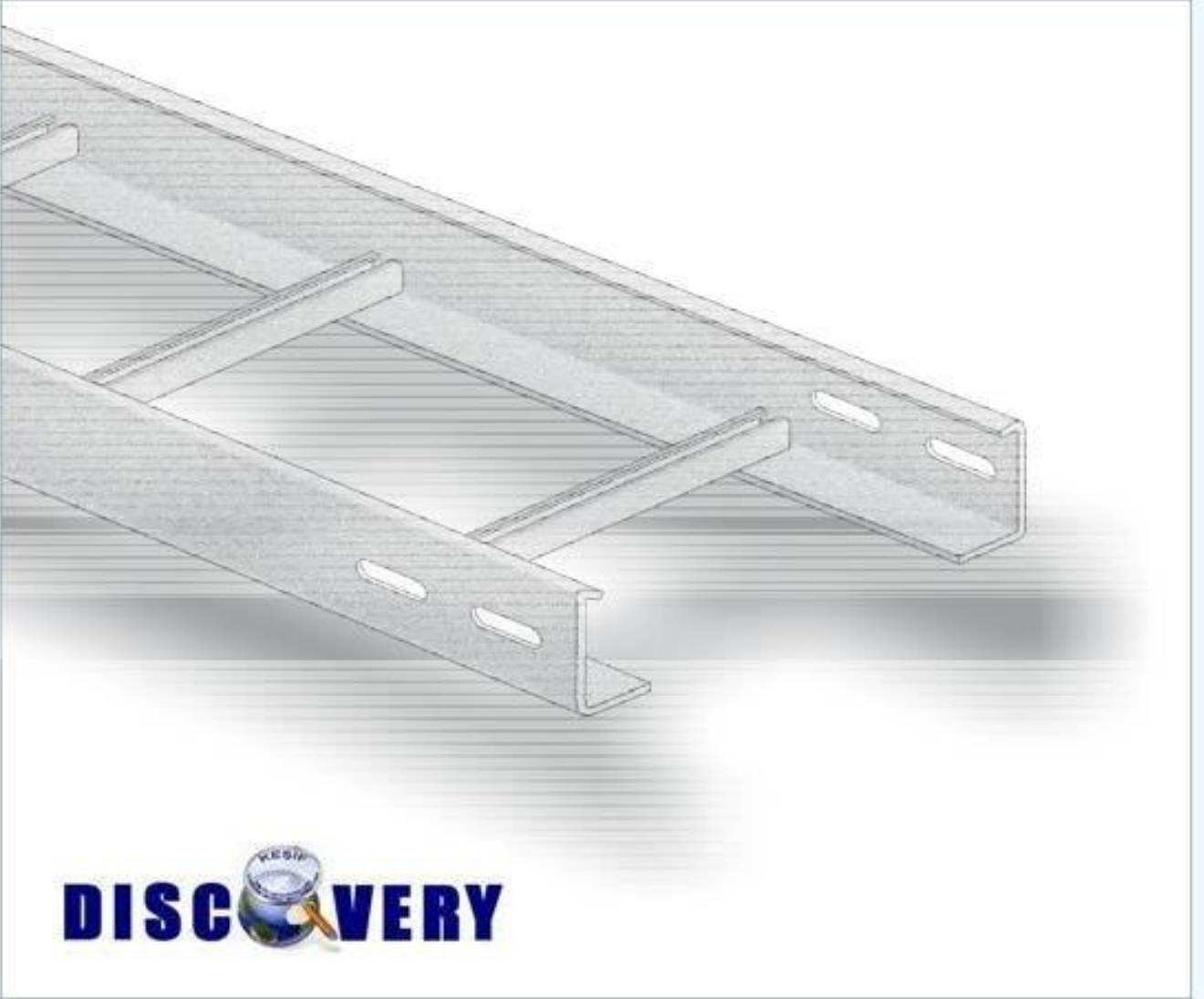
SİP. KODU (Order Code)	a (mm)	h (mm)	e (mm)	kg/ad (kg/pce.)
K 605-10	54	15	1.00	0.470
K 607-10	74	15	1.00	0.590
K 610-10	104	15	1.00	0.765
K 612-10	124	15	1.00	0.883
K 616-10	164	15	1.00	1.118
K 620-10	204	15	1.00	1.354
K 626-10	264	15	1.00	1.707
K 630-15	304	15	1.50	2.914
K 640-15	404	15	1.50	3.797
K 650-15	504	15	1.50	4.680
K 660-15	604	15	1.50	5.564

DISCOVERY



HAFIF TİP KABLO MERDİVENLERİ LIGHT TYPE CABLE LADDERS

HAFIF MERD.



DISCOVERY

Yüzey koruma:

Sıcak daldırma galvaniz TS 914

Pregalvaniz TS 822

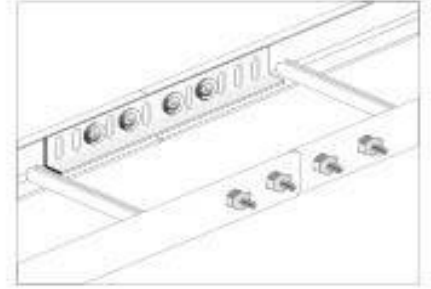
Beyaz elektro galvaniz TS 149

Sarı elektro galvaniz TS 149

Elektrostatik toz boya

HAFIF TİP KABLO MERDİVENLERİ

LIGHT TYPE CABLE LADDERS



DISCOVERY

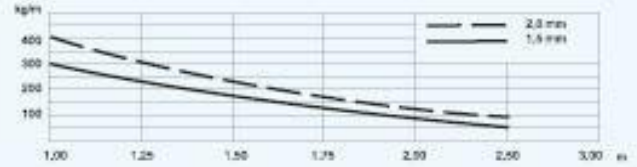
HAFIF TİP KABLO MERDİVENLERİ

LIGHT TYPE CABLE LADDERS

SİP. KODU (Order Code)	a (mm)	h (mm)	e (mm)	kg/mt (kg/mt)
M 10-515	100	50	1,50	2.270
M 16-515	160	50	1,50	2.360
M 20-515	200	50	1,50	2.420
M 26-515	260	50	1,50	2.530
M 30-515	300	50	1,50	2.590
M 40-520	400	50	2,00	3.430
M 50-520	500	50	2,00	3.580
M 60-520	600	50	2,00	3.750

STATİK DEĞERLER

STATIC VALUES



EK ELEMANI

STRAIGHT CONNECTOR

SİP. KODU (Order Code)	a (mm)	h (mm)	e (mm)	kg/ad (kg/pce.)
M 1-5	15	43	1,50	0,160

HAFİF TİP KABLO MERDİVENLERİ

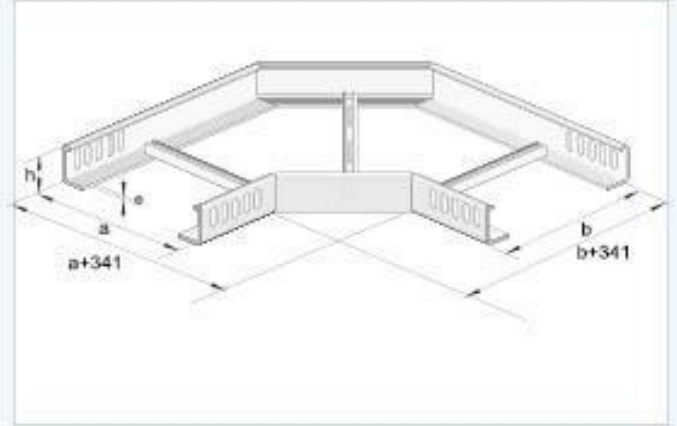
LIGHT TYPE CABLE LADDERS

DISCOVERY

90° DÖNÜŞ ELEMANI

HORIZONTAL BENDS 90°

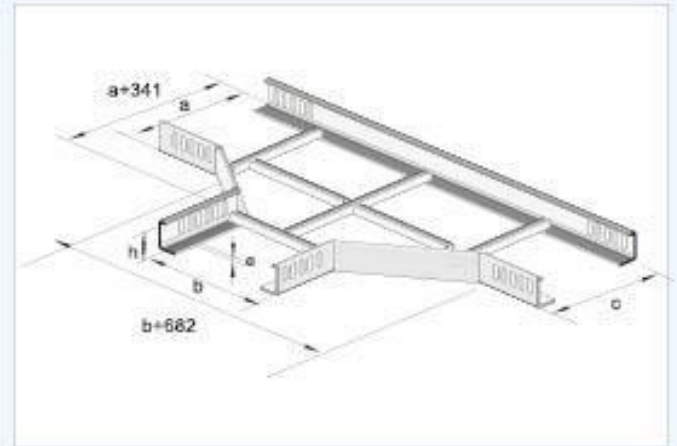
SİP. KODU (Order Code)	a (mm)	h (mm)	e (mm)	kg/ad (kg/pce.)
M 110-515	105	50	1,50	1.650
M 116-515	165	50	1,50	1.875
M 120-515	205	50	1,50	2.030
M 126-515	265	50	1,50	2.275
M 130-515	305	50	1,50	2.430
M 140-520	405	50	2,00	3.460
M 150-520	505	50	2,00	3.890
M 160-520	605	50	2,00	4.350



T DÖNÜŞ ELEMANI

HORIZONTAL TEES

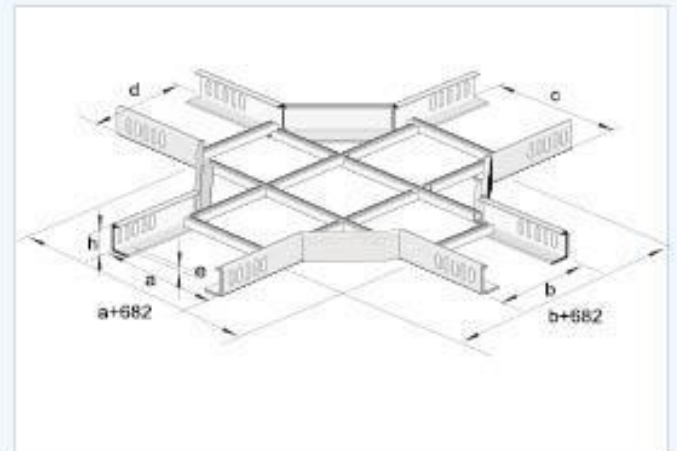
SİP. KODU (Order Code)	a (mm)	h (mm)	e (mm)	kg/ad (kg/pce.)
M 210-515	105	50	1,50	2,410
M 216-515	165	50	1,50	2,690
M 220-515	205	50	1,50	2,860
M 226-515	265	50	1,50	3,190
M 230-515	305	50	1,50	3,330
M 240-520	405	50	2,00	4,580
M 250-520	505	50	2,00	5,070
M 260-520	605	50	2,00	5,560



DÖRTLÜ BAĞLANTILAR

QUADRUPLE HORIZONTAL CROSSINGS

SİP. KODU (Order Code)	a (mm)	h (mm)	e (mm)	kg/ad (kg/pce.)
M 310-515	105	50	1,50	3,000
M 316-515	165	50	1,50	3,275
M 320-515	205	50	1,50	3,460
M 326-515	265	50	1,50	3,800
M 330-515	305	50	1,50	3,975
M 340-520	405	50	2,00	5,300
M 350-520	505	50	2,00	5,770
M 360-520	605	50	2,00	6,260



HAFİF TİP KABLO MERDİVENLERİ

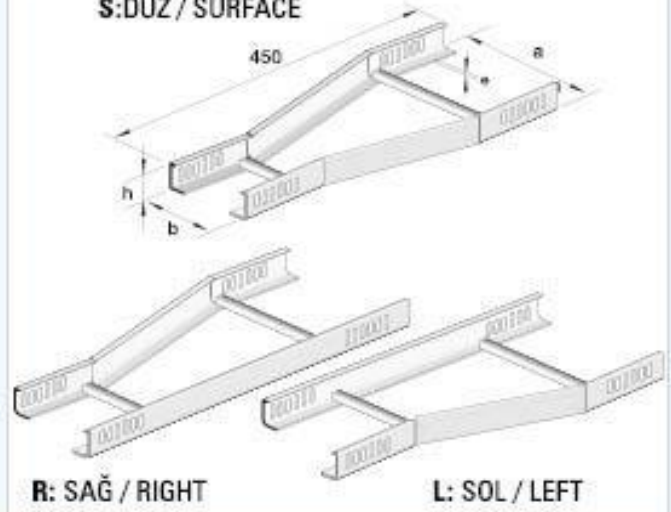
LIGHT TYPE CABLE LADDERS

REDÜKSİYON ELEMANLARI

REDUCING ANGLES

SİP. KODU (Order Code)	a (mm)	h (mm)	e (mm)	kg/ad (kg/pce.)
M 416-515	165	50	1,50	1.080
M 420-515	205	50	1,50	1.130
M 426-515	265	50	1,50	1.200
M 430-515	305	50	1,50	1.550
M 440-520	405	50	2,00	1.650
M 450-520	505	50	2,00	1.750
M 460-520	605	50	2,00	1.860

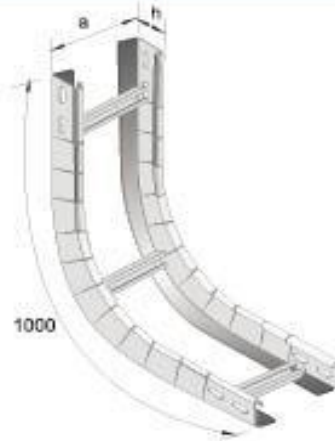
S:DÜZ / SURFACE



İÇ BÜKEY DÖNÜŞLER

VERTICAL ADJUSTABLE INSIDE BENDS

SİP. KODU (Order Code)	a (mm)	h (mm)	e (mm)	kg/ad (kg/pce.)
M 510-515	100	50	1,50	2.270
M 516-515	160	50	1,50	2.360
M 520-515	200	50	1,50	2.420
M 526-515	260	50	1,50	2.530
M 530-515	300	50	1,50	2.590
M 540-520	400	50	2,00	3.430
M 550-520	500	50	2,00	3.580
M 560-520	600	50	2,00	3.750



DIŞ BÜKEY DÖNÜŞLER

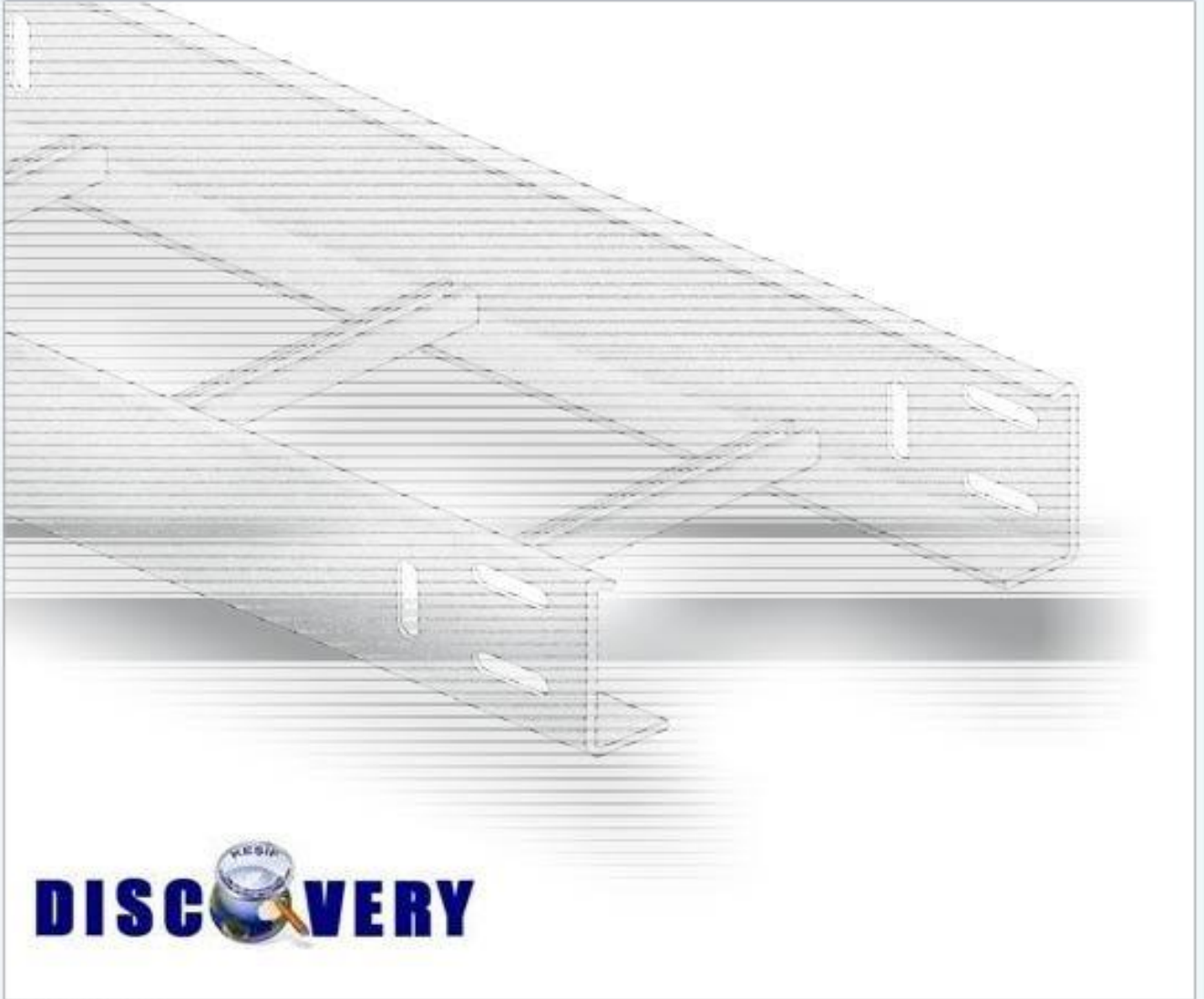
VERTICAL ADJUSTABLE OUTSIDE BENDS

SİP. KODU (Order Code)	a (mm)	h (mm)	e (mm)	kg/ad (kg/pce.)
M 610-515	100	50	1,50	2.270
M 616-515	160	50	1,50	2.360
M 620-515	200	50	1,50	2.420
M 626-515	260	50	1,50	2.530
M 630-515	300	50	1,50	2.590
M 640-520	400	50	2,00	3.430
M 650-520	500	50	2,00	3.580
M 660-520	600	50	2,00	3.750



STANDART TİP KABLO MERD.
STANDART TYPE CABLE LAD.

STANDART



Yüzey koruma:

Sıcak daldırma galvaniz TS 914

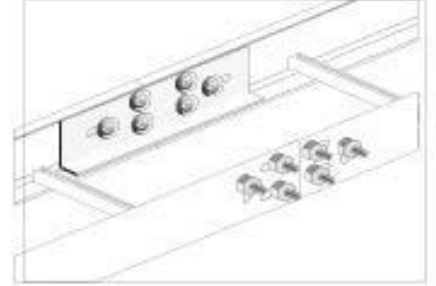
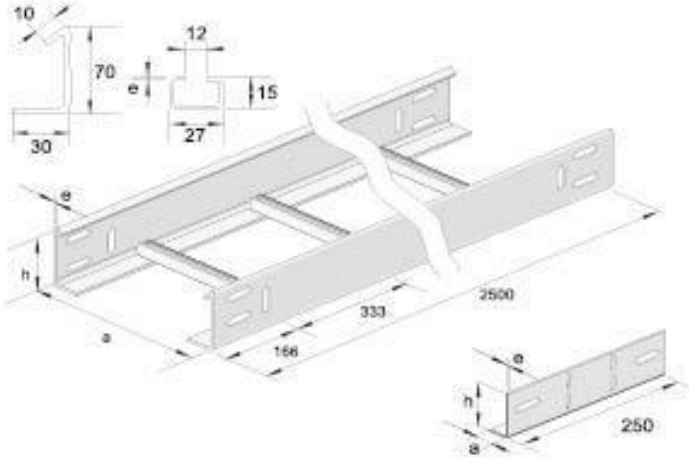
Pregalvaniz TS 822

Beyaz elektro galvaniz TS 149

Sarı elektro galvaniz TS 149

Elektrostatik toz boya

STANDART TİP KABLO MERD. STANDART TYPE CABLE LAD.

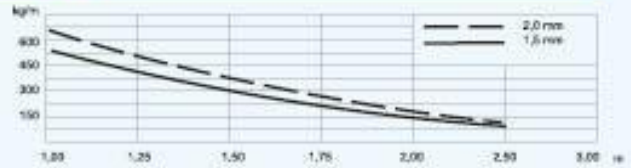


DISCOVERY

STANDART TİP KABLO MERDİVENLERİ STANDART TYPE CABLE LADDERS

SİP. KODU (Order Code)	a (mm)	h (mm)	e (mm)	kg/mt (kg/mt)
M 10-715	100	70	1.50	2.790
M 16-715	160	70	1.50	2.925
M 20-715	200	70	1.50	3.010
M 26-715	260	70	1.50	3.140
M 30-715	300	70	1.50	3.230
M 40-720	400	70	2.00	4.280
M 50-720	500	70	2.00	4.500
M 60-720	600	70	2.00	4.730

STATİK DEĞERLER STATIC VALUES



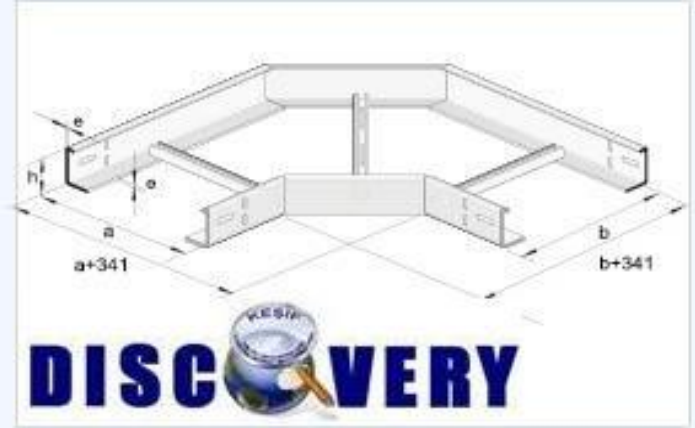
BİRLEŞTİRME PARÇASI STRAIGHT CONNECTOR

SİP. KODU (Order Code)	a (mm)	h (mm)	e (mm)	kg/ad (kg/pce.)
M 1-7	15	65	2,00	0,290

STANDART TİP KABLO MERD. STANDART TYPE CABLE LAD.

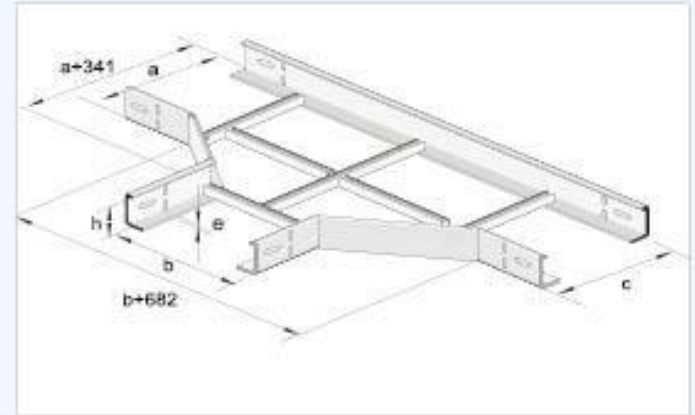
90° DÖNÜŞ ELEMANI HORIZONTAL BENDS 90°

SİP. KODU (Order Code)	a (mm)	h (mm)	e (mm)	kg/ad (kg/pce.)
M 110-715	105	70	1.50	2,035
M 116-715	165	70	1.50	2,340
M 120-715	205	70	1.50	2,550
M 126-715	265	70	1.50	2,850
M 130-715	305	70	1.50	3,050
M 140-720	405	70	2.00	4,330
M 150-720	505	70	2.00	4,900
M 160-720	605	70	2.00	5,480



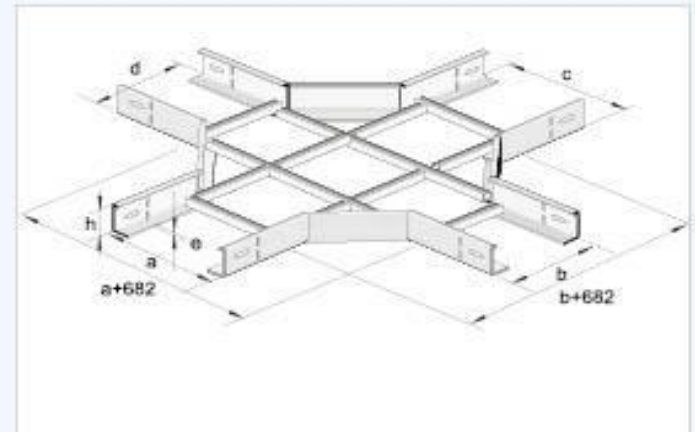
T DÖNÜŞ ELEMANI HORIZONTAL TEES

SİP. KODU (Order Code)	a (mm)	h (mm)	e (mm)	kg/ad (kg/pce.)
M 210-715	105	70	1.50	3,000
M 216-715	165	70	1.50	3,360
M 220-715	205	70	1.50	3,600
M 226-715	265	70	1.50	3,960
M 230-715	305	70	1.50	4,200
M 240-720	405	70	2.00	5,760
M 250-720	505	70	2.00	6,400
M 260-720	605	70	2.00	7,070



DÖRTLÜ BAĞLANTILAR QUADRUPLE HORIZONTAL CROSSINGS

SİP. KODU (Order Code)	a (mm)	h (mm)	e (mm)	kg/ad (kg/pce.)
M 310-715	105	70	1.50	3,700
M 316-715	165	70	1.50	4,100
M 320-715	205	70	1.50	4,370
M 326-715	265	70	1.50	4,740
M 330-715	305	70	1.50	5,020
M 340-720	405	70	2.00	6,670
M 350-720	505	70	2.00	7,320
M 360-720	605	70	2.00	8,020

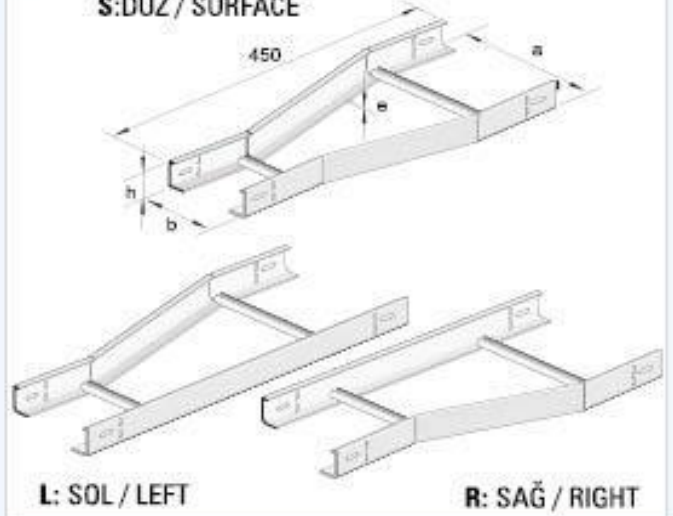


STANDART TİP KABLO MERD. STANDART TYPE CABLE LAD.

REDÜKSİYONLAR REDUCING ANGLES

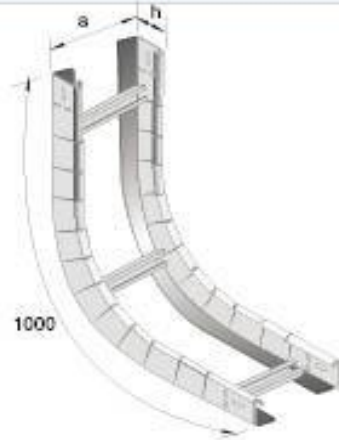
SİP KODU (Order Code)	a (mm)	h (mm)	e (mm)	kg/ad (kg/pce.)
M 416-715	165	70	1.50	1,340
M 420-715	205	70	1.50	1,420
M 426-715	265	70	1.50	1,490
M 430-715	305	70	1.50	1,940
M 440-720	405	70	2.00	2,060
M 450-720	505	70	2.00	2,200
M 460-720	605	70	2.00	2,350

S:DÜZ / SURFACE



İÇ BÜKEY ELEMANLARI VERTICAL ADJUSTABLE INSIDE BENDS

SİP KODU (Order Code)	a (mm)	h (mm)	e (mm)	kg/ad (kg/pce.)
M 510-715	100	70	1.50	2,790
M 516-715	160	70	1.50	2,925
M 520-715	200	70	1.50	3,010
M 526-715	260	70	1.50	3,140
M 530-715	300	70	1.50	3,230
M 540-720	400	70	2.00	4,280
M 550-720	500	70	2.00	4,500
M 560-720	600	70	2.00	4,730



DIŞ BÜKEY ELEMANLARI VERTICAL ADJUSTABLE OUTSIDE BENDS

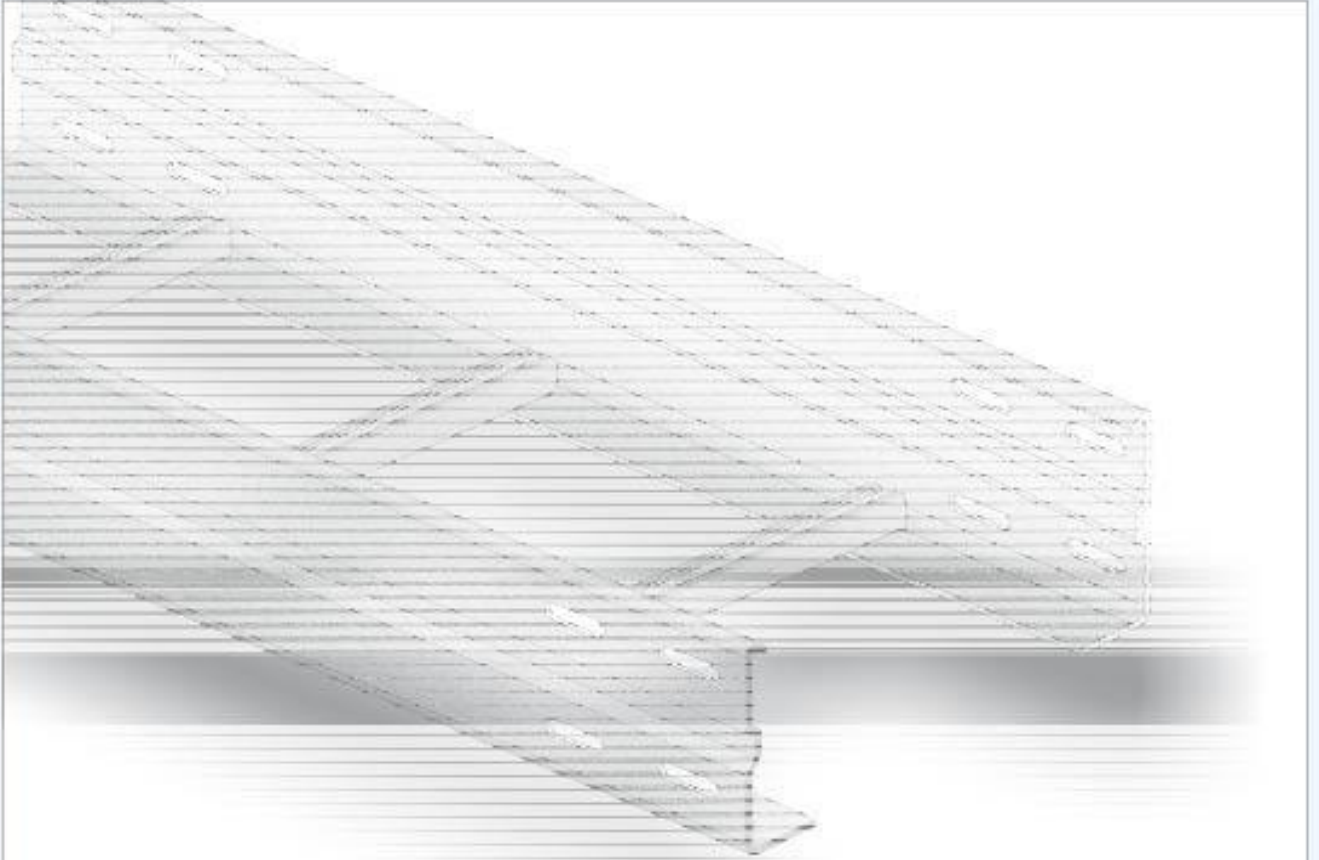
SİP KODU (Order Code)	a (mm)	h (mm)	e (mm)	kg/ad (kg/pce.)
M 610-715	100	70	1.50	2,790
M 616-715	160	70	1.50	2,925
M 620-715	200	70	1.50	3,010
M 626-715	260	70	1.50	3,140
M 630-715	300	70	1.50	3,230
M 640-720	400	70	2.00	4,280
M 650-720	500	70	2.00	4,500
M 660-720	600	70	2.00	4,730



DISCOVERY

AĞIR TİP KABLO MERDİVENLERİ HEAVY DUTY TYPE CABLE LAD.

AĞIR MER.



DISCOVERY

Yüzey koruma:

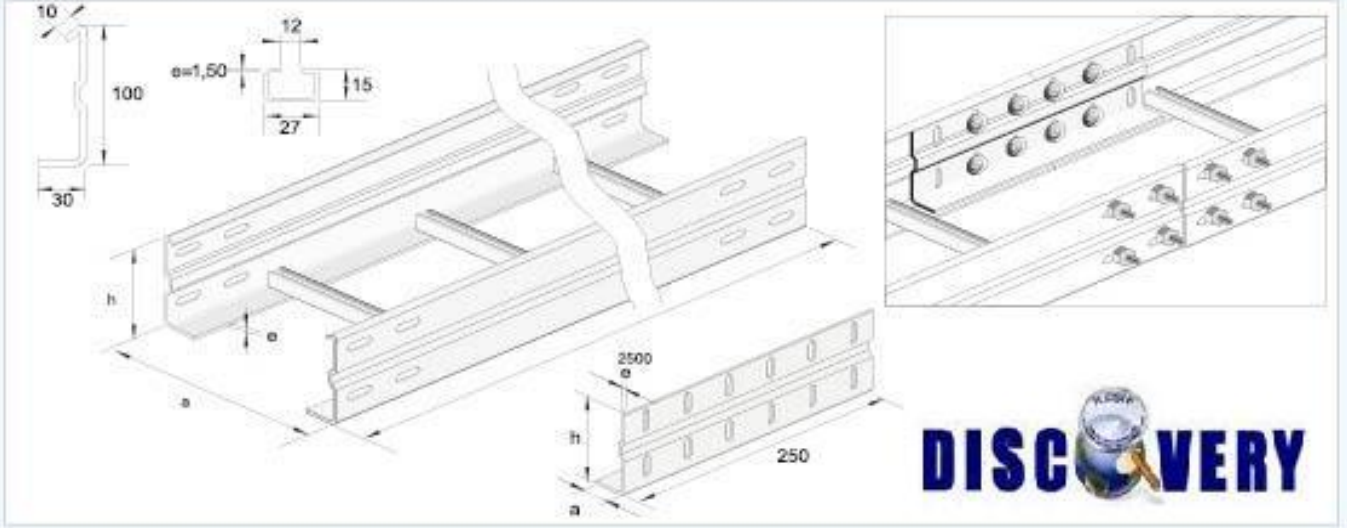
Sıcak daldırma galvaniz TS 914

Beyaz elektro galvaniz TS 149

Sarı elektro galvaniz TS 149

Elektrostatik toz boya

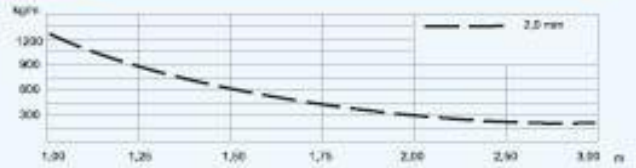
AGIR TIP KABLO MERDIVENLERI HEAVY DUTY TYPE CABLE LAD.



AGIR HIZMET TİPİ KABLO MERDIVENLERİ-Formlu tip HEAVY DUTY TYPE CABLE LADDERS

SİP KODU (Order Code)	a (mm)	h (mm)	e (mm)	kg/mt (kg/mt)
MF 10-1020	100	100	2.00	5,030
MF 16-1020	160	100	2.00	5,200
MF 20-1020	200	100	2.00	5,300
MF 26-1020	260	100	2.00	5,460
MF 30-1020	300	100	2.00	5,570
MF 40-1020	400	100	2.00	5,820
MF 50-1020	500	100	2.00	6,100
MF 60-1020	600	100	2.00	6,360

STATİK DEĞERLER STATIC VALUES

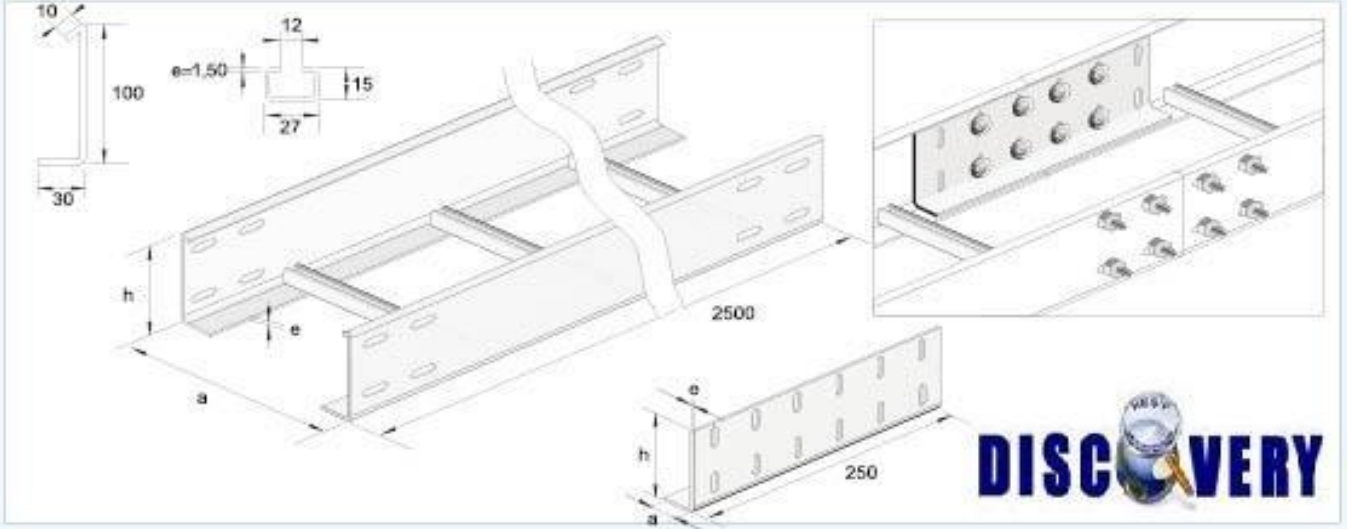


BİRLEŞTİRME PARÇASI STRAIGHT CONNECTOR

SİP KODU (Order Code)	a (mm)	h (mm)	e (mm)	kg/ad (kg/pce.)
MF 1-10	20	95	2,00	0,400

AĞIR TİP KABLO MERDİVENLERİ HEAVY DUTY TYPE CABLE LAD.

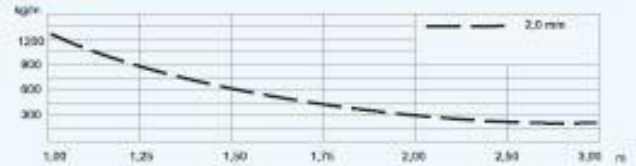
AGIR MER.



AĞIR HİZMET TİPİ KABLO MERDİVENLERİ-Düz tip- HEAVY DUTY TYPE CABLE LADDERS

SİP KODU (Order Code)	a (mm)	h (mm)	e (mm)	kg/mt (kg/mt)
M 10-1020	100	100	2.00	5,030
M 16-1020	160	100	2.00	5,200
M 20-1020	200	100	2.00	5,300
M 26-1020	260	100	2.00	5,460
M 30-1020	300	100	2.00	5,570
M 40-1020	400	100	2.00	5,820
M 50-1020	500	100	2.00	6,100
M 60-1020	600	100	2.00	6,360

STATİK DEĞERLER STATIC VALUES



BİRLEŞTİRME PARÇASI STRAIGHT CONNECTOR

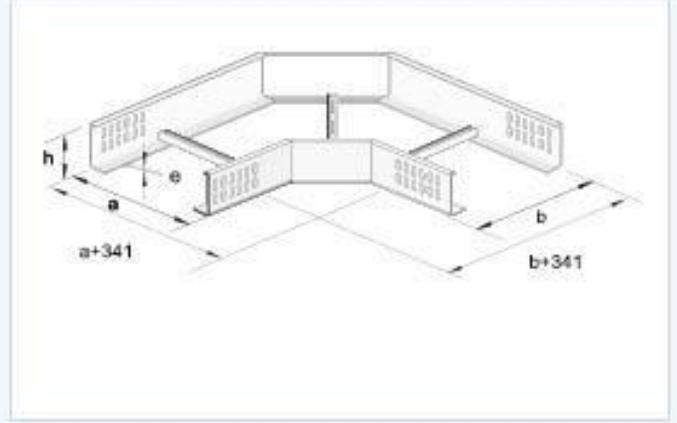
SİP KODU (Order Code)	a (mm)	h (mm)	e (mm)	kg/ad (kg/pce.)
M 1-10	20	95	2,00	0,400

AĞIR TİP KABLO MERDİVENLERİ HEAVY DUTY TYPE CABLE LAD.

DISCOVERY

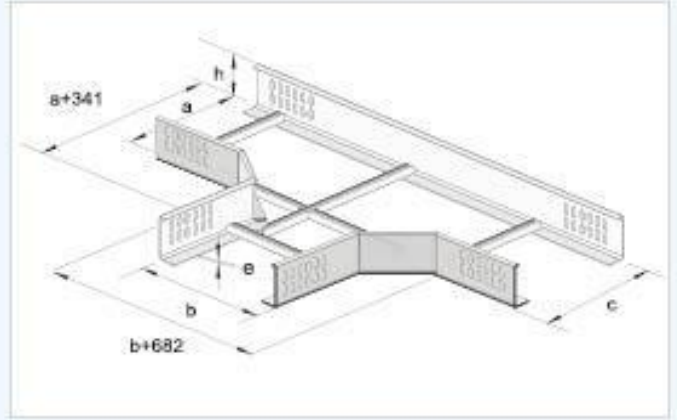
90° DÖNÜŞ ELEMANI HORIZONTAL BENDS 90°

SİP. KODU (Order Code)	a (mm)	h (mm)	e (mm)	kg/ad (kg/pce.)
M 110-1020	105	100	2.00	3,650
M 116-1020	165	100	2.00	4,100
M 120-1020	205	100	2.00	4,400
M 126-1020	265	100	2.00	4,850
M 130-1020	305	100	2.00	5,150
M 140-1020	405	100	2.00	5,910
M 150-1020	505	100	2.00	6,660
M 160-1020	605	100	2.00	7,420



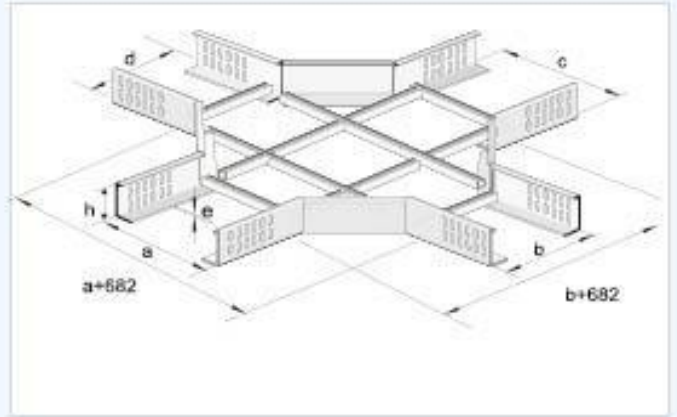
T DÖNÜŞ ELEMANI HORIZONTAL TEES

SİP. KODU (Order Code)	a (mm)	h (mm)	e (mm)	kg/ad (kg/pce.)
M 210-1020	105	100	2.00	5,330
M 216-1020	165	100	2.00	5,820
M 220-1020	205	100	2.00	6,140
M 226-1020	265	100	2.00	6,630
M 230-1020	305	100	2.00	6,960
M 240-1020	405	100	2.00	7,780
M 250-1020	505	100	2.00	8,600
M 260-1020	605	100	2.00	9,400



DÖRTLÜ BAĞLANTILAR QUADRUPLE HORIZONTAL CROSSINGS

SİP. KODU (Order Code)	a (mm)	h (mm)	e (mm)	kg/ad (kg/pce.)
M 310-1020	105	100	2.00	6,540
M 316-1020	165	100	2.00	7,030
M 320-1020	205	100	2.00	7,340
M 326-1020	265	100	2.00	7,820
M 330-1020	305	100	2.00	8,140
M 340-1020	405	100	2.00	8,930
M 350-1020	505	100	2.00	9,710
M 360-1020	605	100	2.00	10,500



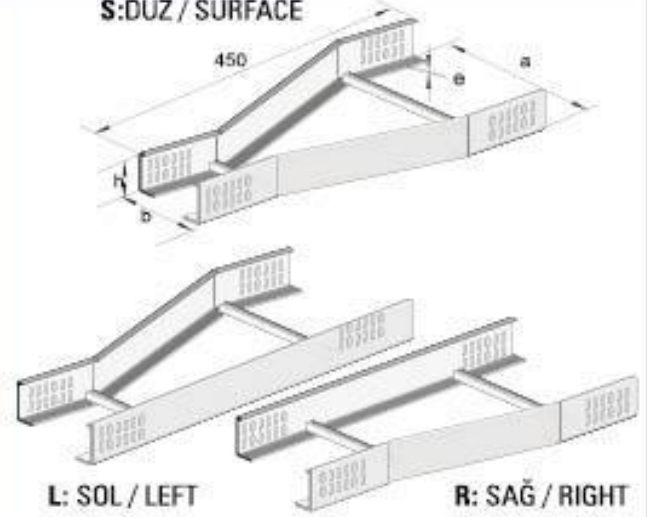
AGIR TIP KABLO MERDİVENLERİ HEAVY DUTY TYPE CABLE LAD.

DISCOVERY

REDÜKSİYONLAR REDUCING ANGLES

SİP. KODU (Order Code)	a (mm)	h (mm)	e (mm)	kg/ad (kg/pce.)
M 416-1020	165	100	2.00	2,370
M 420-1020	205	100	2.00	2,460
M 426-1020	265	100	2.00	2,550
M 430-1020	305	100	2.00	2,640
M 440-1020	405	100	2.00	2,780
M 450-1020	505	100	2.00	2,950
M 460-1020	605	100	2.00	3,130

S:DÜZ / SURFACE



İÇ BÜKEY ELEMANLARI VERTICAL ADJUSTABLE INSIDE BENDS

SİP. KODU (Order Code)	a (mm)	h (mm)	e (mm)	kg/ad (kg/pce.)
M 510-1020	100	100	2.00	5,030
M 516-1020	160	100	2.00	5,200
M 520-1020	200	100	2.00	5,300
M 526-1020	260	100	2.00	5,460
M 530-1020	300	100	2.00	5,570
M 540-1020	400	100	2.00	5,820
M 550-1020	500	100	2.00	6,100
M 560-1020	600	100	2.00	6,360



DIŞ BÜKEY ELEMANLARI VERTICAL ADJUSTABLE OUTSIDE BENDS

SİP. KODU (Order Code)	a (mm)	h (mm)	e (mm)	kg/ad (kg/pce.)
M 610-1020	100	100	2.00	5,030
M 616-1020	160	100	2.00	5,200
M 620-1020	200	100	2.00	5,300
M 626-1020	260	100	2.00	5,460
M 630-1020	300	100	2.00	5,570
M 640-1020	400	100	2.00	5,820
M 650-1020	500	100	2.00	6,100
M 660-1020	600	100	2.00	6,360



KABLO MERDİVENİ AKSESUARLARI ACCESSORIES FOR CABLE LADD.

DISCOVERY

SEPERATÖRLER SEPARATORS

SİP. KODU (Order Code)	a (mm)	h (mm)	e (mm)	kg/ad (kg/ad)
SP 33	20	33	1,50	0,540
SP 53	20	53	1,50	0,750
SP 77	20	77	1,50	1,320

SEVİYE DEĞİŞTİRME ELEMANLARI LEVEL CHANGE UNITS

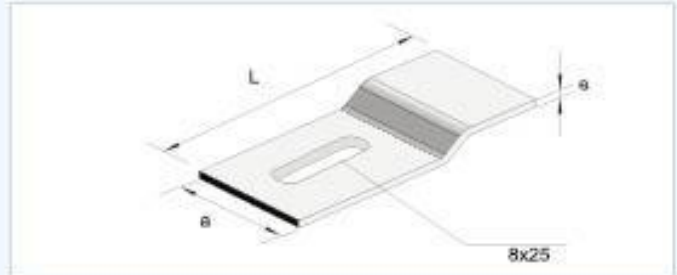
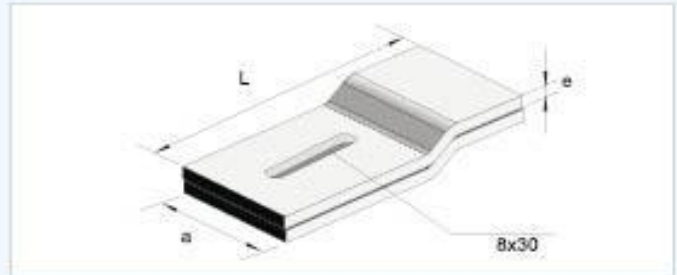
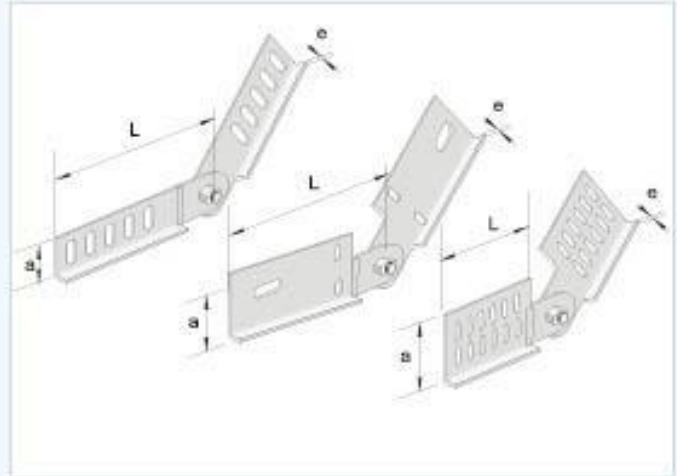
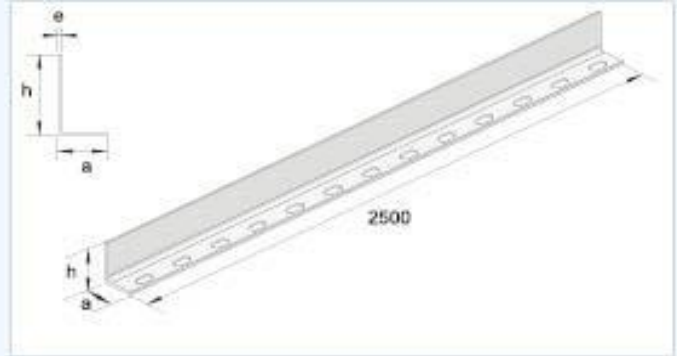
SİP. KODU (Order Code)	a (mm)	L (mm)	e (mm)	kg/ad (kg/pce.)
SD 5	50	150	2,00	0,560
SD 7	70	150	2,00	0,820
SD 10	100	150	2,00	1,105

MERDİVENİ DUVARA TESPİT ELEMANI FIXING UNIT THE LADDER WALL

SİP. KODU (Order Code)	a (mm)	L (mm)	e (mm)	kg/ad (kg/pce.)
MDT	40	75	3,00	0,100

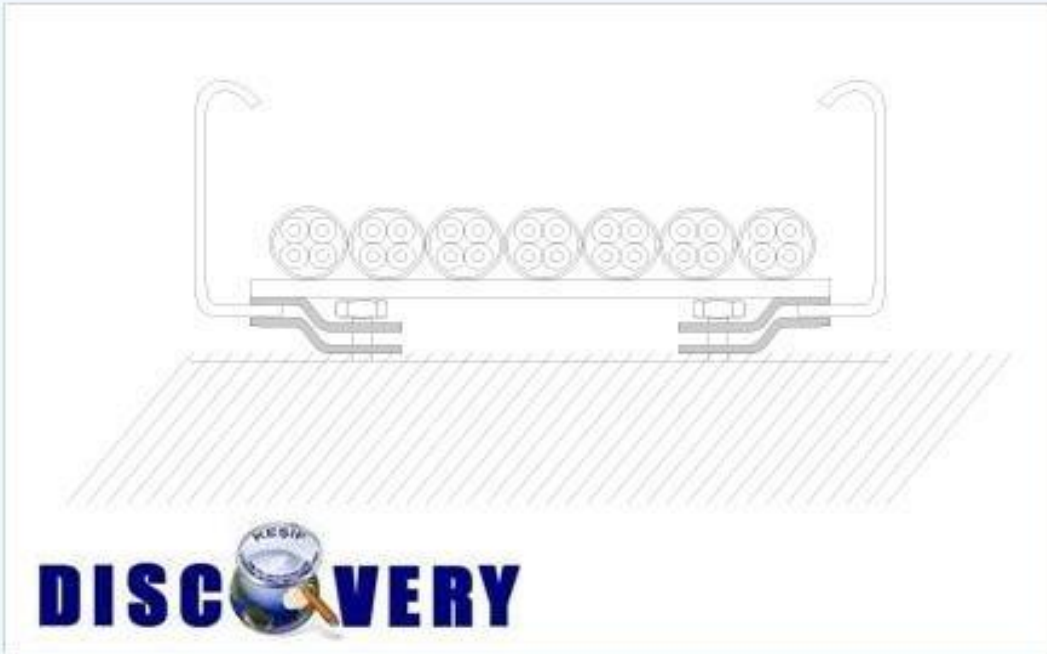
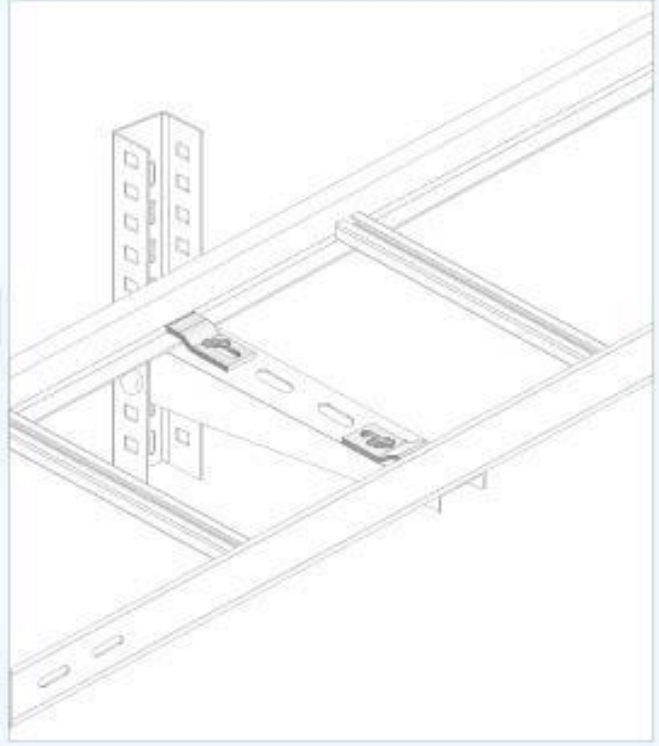
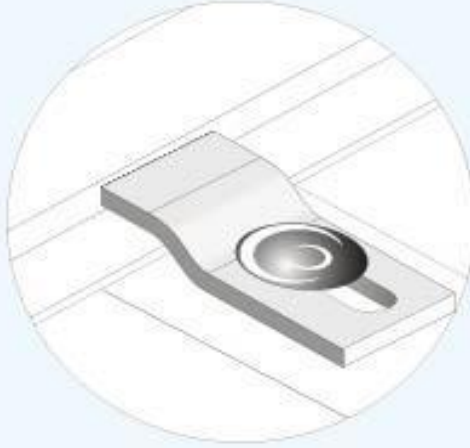
MERDİVENİ KONSOLA TESPİT ELEMANI FIXING UNIT FOR THE LADDER TO BRACKET

SİP. KODU (Order Code)	a (mm)	L (mm)	e (mm)	kg/ad (kg/pce.)
MKT	30	50	2,00	0,030



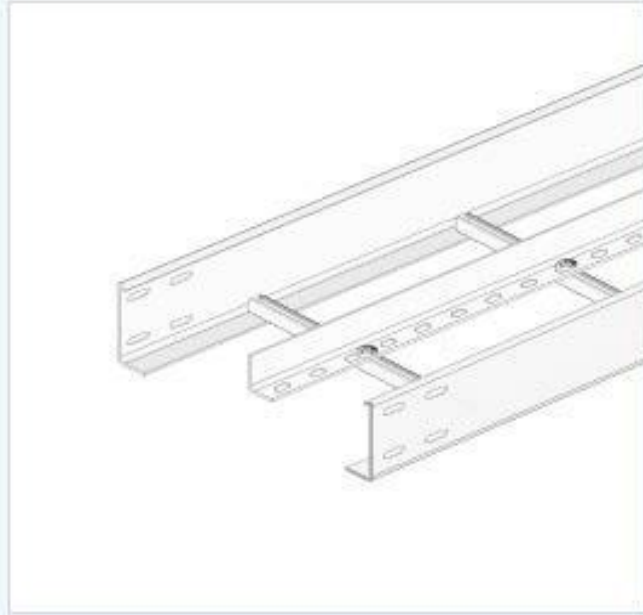
AĞIR TİP KABLO MERDİVENLERİ HEAVY DUTY TYPE CABLE LAD.

AGIR MER.



DISCOVERY

AĞIR TİP KABLO MERDİVENLERİ HEAVY DUTY TYPE CABLE LAD.



BORU SİSTEMİ PIPE SYSTEM

BORU



DISCOVERY

Yüzey koruma:

Sıcak daldırma galvaniz TS 914

Pregalvaniz TS 822

Beyaz elektro galvaniz TS 149

Sarı elektro galvaniz TS 149

Elektrostatik toz boya

BORU SİSTEMİ

PIPE SYSTEM

BORU

STELL TUBE

SİP. KODU (Order Code)	L (mm)	ϕ (mm)	e (mm)	kg/mt (kg/mt)
B42-15	3000	42	1,50	1,540
B25-10	3000	25	1,00	0,620



BİRLEŞTİRME PARÇASI

STEEVE CONNECTOR

SİP. KODU (Order Code)	L (mm)	ϕ (mm)	e (mm)	kg/ad. (kg/pce.)
B42-EK	80	48	2,00	0,200
B25-EK	80	30	1,50	0,100



DÖNÜŞ ELEMANI

BENDING UNIT

SİP. KODU (Order Code)	L (mm)	ϕ (mm)	e (mm)	kg/ad. (kg/pce.)
B42-GD	597	42	1,50	0,920
B42-KD	597	42	1,50	0,920
B25-DD	67	25	1,00	0,150
B25-GD	160	25	1,00	0,280
B25-KD	160	25	1,00	0,280



TESPİT KROŞESİ

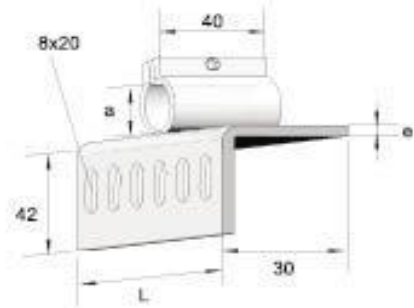
FIXING CRÖSHET

SİP. KODU (Order Code)	L (mm)	ϕ (mm)	e (mm)	kg/ad. (kg/pce.)
B42-DT	43	48	2,00	0,060
B25-DT	26	30	1,50	0,035



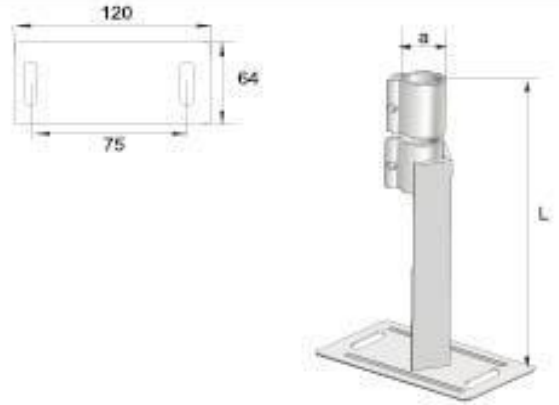
KANAL ÇIKIŞ ELEMANI TRAY OUTLETS

SİP. KODU (Order Code)	L (mm)	a (mm)	e (mm)	kg/ad. (kg/pce.)
B42-KÇ	125	48	1,50	0,120
B25-KÇ	80	30	1,50	0,200



YERE TESPİT ELEMANI FLOOR CLAMP

SİP. KODU (Order Code)	L (mm)	a (mm)	e (mm)	kg/ad. (kg/pce.)
B42-YT	250	48	2,00	1,015
B25-YT	250	2,00	1,115	



KABLO ÇIKIŞ ELEMANI CABLE OUTLETS

SİP. KODU (Order Code)	L (mm)	a (mm)	e (mm)	kg/ad. (kg/pce.)
B42-AÇ	250	48	2,00	0,835
B25-AÇ	250	30	2,00	1,035



MONTAJ ÖRNEKLERİ
MOUNTING EXAMPLES



**DÖŞEMEALTI KABLO
KANALLARI
UNDERFLOOR CABLE
TRAYS**

DÖŞEMEALTI



DISCOVERY

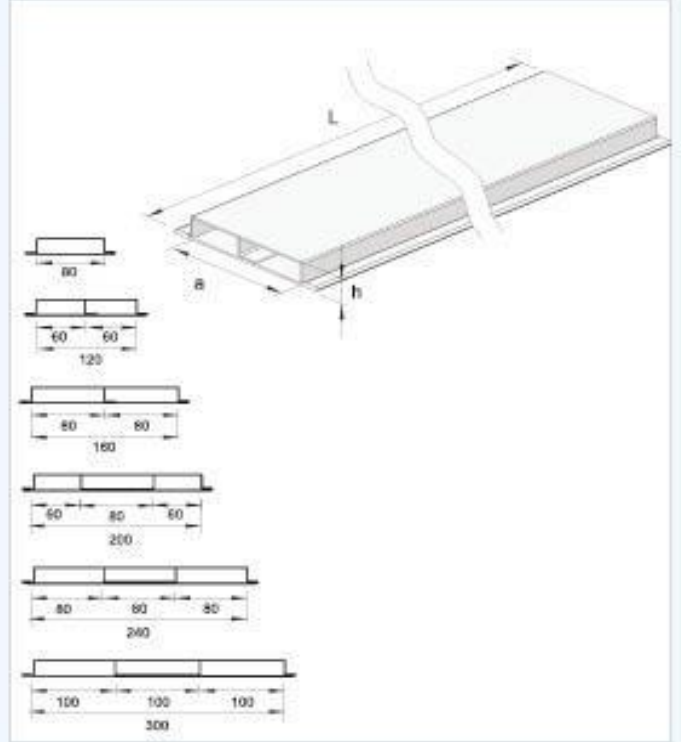
Yüzey koruma:
Pregalvaniz TS 822

DÖŞEMEALTI KABLO KANALLARI UNDERFLOOR CABLE TRAYS

DISCOVERY

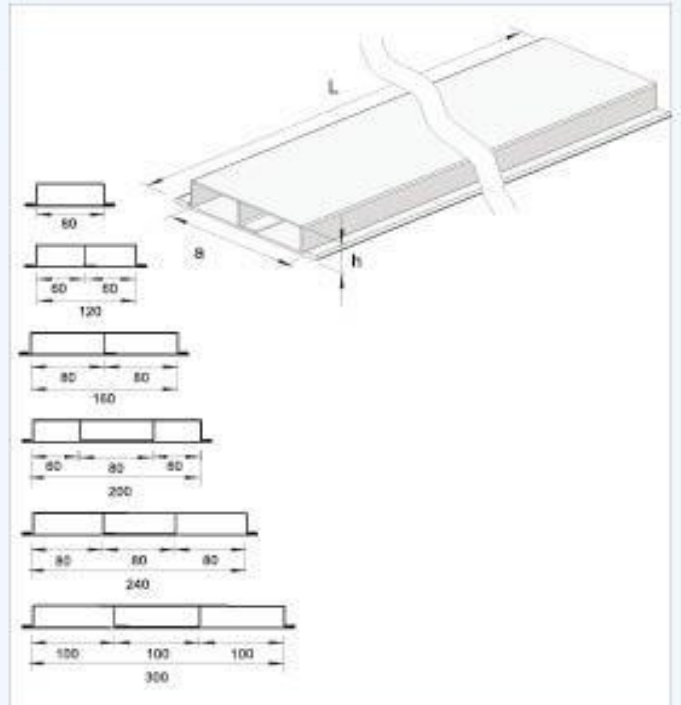
DÖŞEME ALTI KABLO KANALLARI h:30 UNDERFLOOR CABLE TRAYS h:30

SİP. KODU (Order Code)	a (mm)	h (mm)	e (mm)	kg/mt (kg/mt)
D08-312	80	30	1,20	2.620
D12-312	120	30	1,20	3.650
D16-312	160	30	1,20	4.630
D20-312	200	30	1,20	5.880
D24-312	240	30	1,20	7.000
D30-312	300	30	1,20	8.130



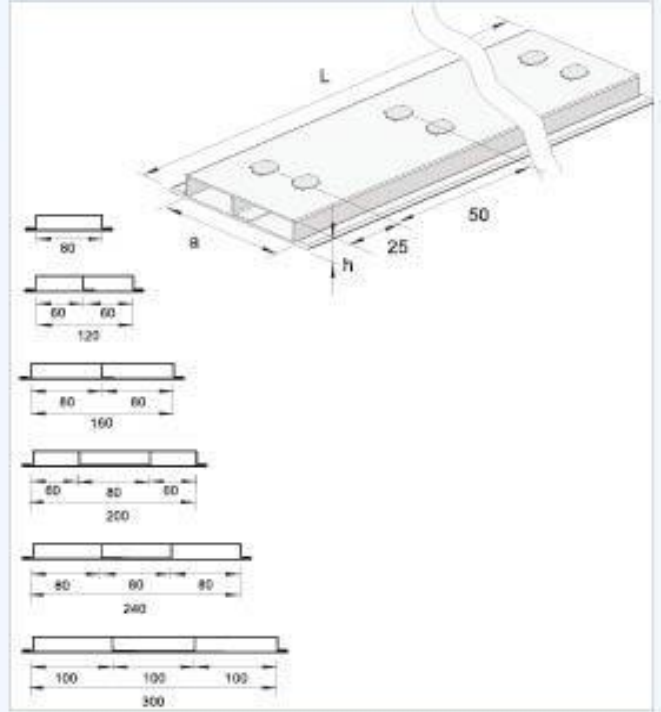
DÖŞEME ALTI KABLO KANALLARI h:40 UNDERFLOOR CABLE TRAYS h:40

SİP. KODU (Order Code)	a (mm)	h (mm)	e (mm)	kg/mt (kg/mt)
D08-412	80	40	1,20	2.815
D12-412	120	40	1,20	3.945
D16-412	160	40	1,20	4.925
D20-412	200	40	1,20	6.270
D24-412	240	40	1,20	7.400
D30-412	300	40	1,20	8.530



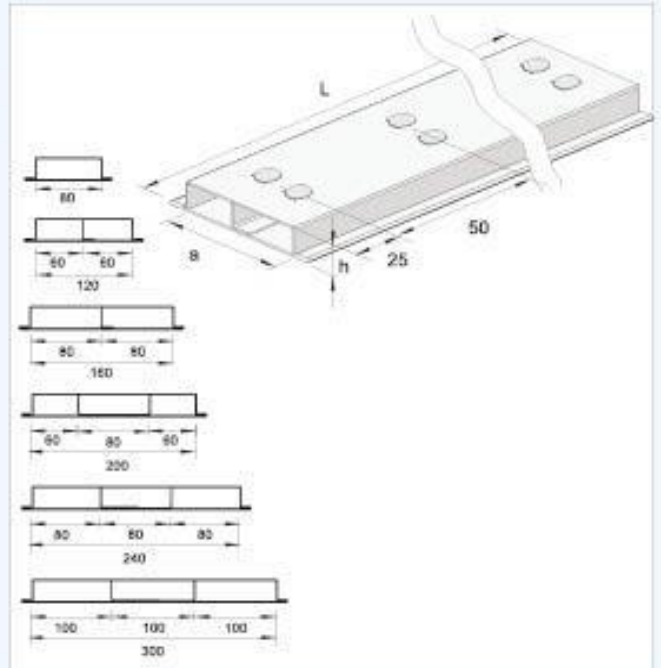
DÖŞEME ALTI KABLO KANALLARI h:30-patlatmalı tip UNDERFLOOR CABLE TRAYS h:30-ready hole

SİP. KODU (Order Code)	a (mm)	h (mm)	e (mm)	kg/mt (kg/mt)
DP08-312	80	30	1,20	2.620
DP12-312	120	30	1,20	3.650
DP16-312	160	30	1,20	4.630
DP20-312	200	30	1,20	5.880
DP24-312	240	30	1,20	7.000
DP30-312	300	30	1,20	8.130



DÖŞEME ALTI KABLO KANALLARI h:40-patlatmalı tip UNDERFLOOR CABLE TRAYS h:40-ready hole

SİP. KODU (Order Code)	a (mm)	h (mm)	e (mm)	kg/mt (kg/mt)
DP08-412	80	40	1,20	2.815
DP12-412	120	40	1,20	3.945
DP16-412	160	40	1,20	4.925
DP20-412	200	40	1,20	6.270
DP24-412	240	40	1,20	7.400
DP30-412	300	40	1,20	8.530

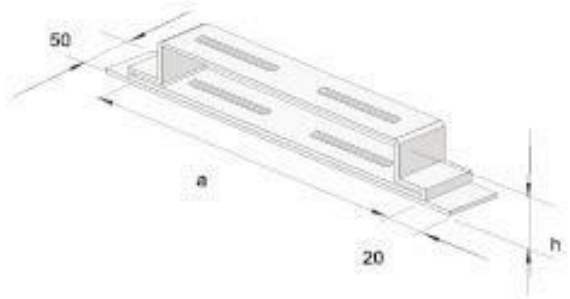


DÖŞEMEALTI KABLO KANALLARI UNDERFLOOR CABLE TRAYS

DÖŞEME ALTI EK PARÇALARI UNDERFLOOR CONNECTORS

SİP. KODU (Order Code)	a (mm)	h (mm)	e (mm)	kg/ad. (kg/mt)
DE08-30	84	30	1,20	0.170
DE12-30	124	30	1,20	0.200
DE16-30	164	30	1,20	0.240
DE20-30	205	30	1,20	0.275
DE24-30	244	30	1,20	0.315
DE30-30	304	30	1,20	0.355
DE08-40	84	40	1,20	0.180
DE12-40	124	40	1,20	0.210
DE16-40	164	40	1,20	0.250
DE20-40	205	40	1,20	0.285
DE24-40	244	40	1,20	0.325
DE30-40	304	40	1,20	0.365

DISCOVERY



90° YUKARI DÖNÜŞ ELEMANI BENDING UNIT 90°

SİP. KODU (Order Code)	a (mm)	h (mm)	e (mm)	kg/ad. (kg/ad.)
DYD 08-312	80	30	1,20	0,760
DYD 12-312	120	30	1,20	1,140
DYD 16-312	160	30	1,20	1,345
DYD 20-312	200	30	1,20	1,750
DYD 24-312	240	30	1,20	1,960
DYD 08-412	80	40	1,20	0,800
DYD 12-412	120	40	1,20	1,200
DYD 16-412	160	40	1,20	1,400
DYD 20-412	200	40	1,20	1,790
DYD 24-412	240	40	1,20	2,010

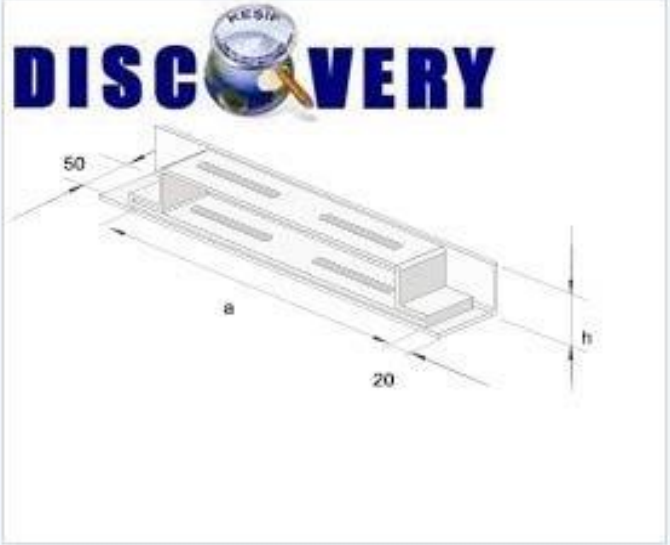


DÖŞEMEALTI KABLO KANALLARI UNDERFLOOR CABLE TRAYS

DÖŞEMEALTI

KANAL SONLANDIRMA ELEMANI ENDING UNIT

SİP. KODU (Order Code)	a (mm)	h (mm)	e (mm)	kg/ad. (kg/pce.)
DS08-30	84	30	1,20	0,200
DS12-30	124	30	1,20	0,245
DS16-30	164	30	1,20	0,300
DS20-30	204	30	1,20	0,350
DS24-30	244	30	1,20	0,400
DS30-30	304	30	1,20	0,450
DS08-40	84	40	1,20	0,220
DS12-40	124	40	1,20	0,270
DS16-40	164	40	1,20	0,325
DS20-40	204	40	1,20	0,380
DS24-40	244	40	1,20	0,435
DS30-40	304	40	1,20	0,485



KANAL SEVİYE DEĞİŞTİRME ELEMANI LEVEL ADJUSTMENT UNIT

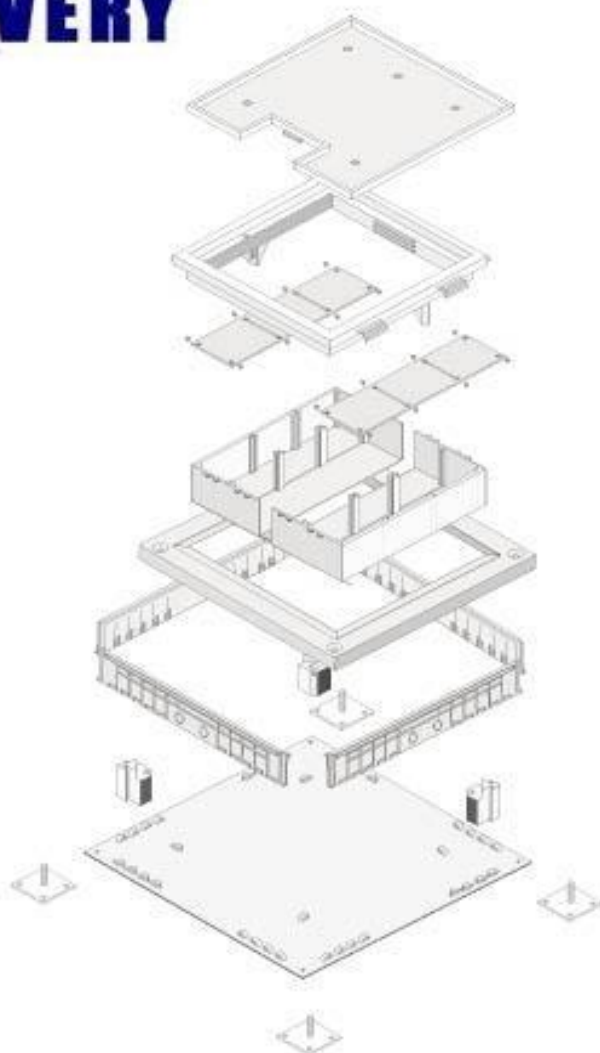
SİP. KODU (Order Code)	a (mm)	L (mm)	e (mm)	kg/ad. (kg/pce.)
DSA 08	80	140	2,00	0,175
DSA 12	120	180	2,00	0,200
DSA 16	160	220	2,00	0,240
DSA 20	200	260	2,00	0,270
DSA 24	240	300	2,00	0,300
DSA 30	300	360	2,00	0,340





DÖŞEMEALTI KABLO KANALLARI UNDERFLOOR CABLE TRAYS

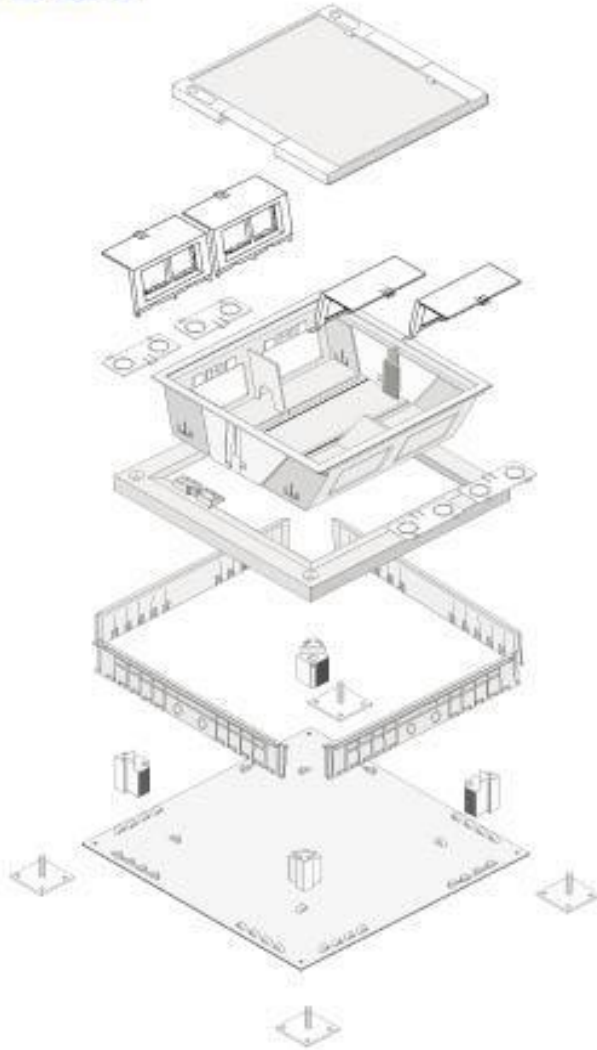
DISCOVERY



**DÖŞEMEALTI KABLO
KANALLARI**
UNDERFLOOR CABLE
TRAYS

DÖŞEMEALTI

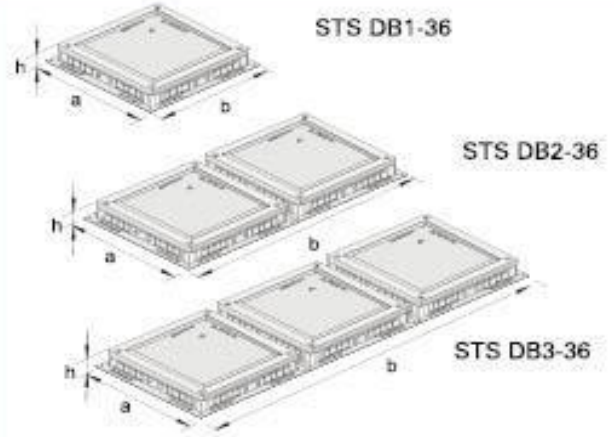
DISCOVERY



DÖŞEMEALTI KABLO KANALLARI UNDERFLOOR CABLE TRAYS

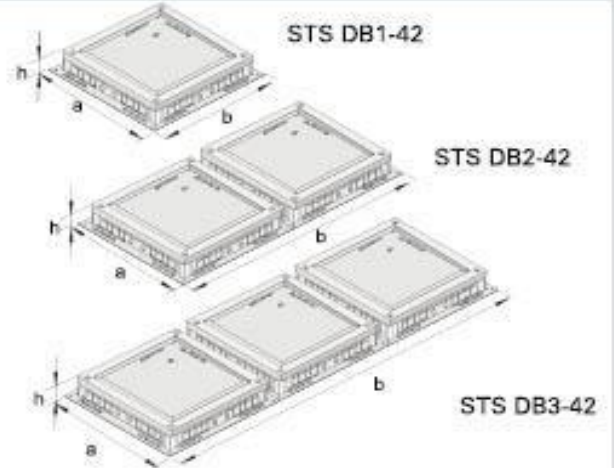
DÖŞEMEALTI BUATI JUNCTION BOX

SİP. KODU (Order Code)	a (mm)	b (mm)	h (mm)	kg/ad. (kg/pce.)
DB1-36	350	350	60-75	3600
DB2-36	350	670	60-75	6,700
DB3-36	350	995	10,000	



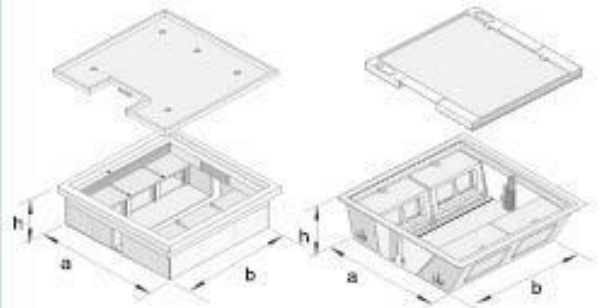
DÖŞEMEALTI BUATI JUNCTION BOX

SİP. KODU (Order Code)	a (mm)	b (mm)	h (mm)	kg/ad. (kg/pce.)
DB1-42	350	350	80-90	3400
DB2-42	350	670	80-90	6,600
DB3-42	350	995	80-90	9,600



BUAT İÇİ PRİZ KASALARI SOCKET CASES

SİP. KODU (Order Code)	a (mm)	b (mm)	h (mm)	kg/ad. (kg/pce.)
DPK 1	204	236	60	1,180
DPK 2	252	252	75	1,360

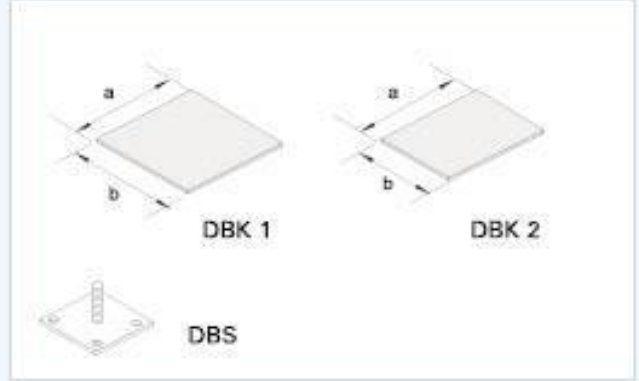




DÖŞEMEALTI KABLO KANALLARI UNDERFLOOR CABLE TRAYS

METAL KAPAKLAR METAL COVERS

SİP. KODU (Order Code)	a (mm)	b (mm)	h (mm)	kg/ad. (kg/pce.)
DBK 1	215	245	3,00	1,240
DBK 2	260	260	3,00	1,590
DBS	40	40	2,00	0,032



TIRNAKLI TİP PRİZLER SOCKETS

SİP. KODU (Order Code)		kg/ad. (kg/pce.)
DP 101	UPS PRİZ / UPS SOCKET	0,030
DP 102	TOPRAKLI PRİZ / POWER SOCKET	0,040
DP 103	TELEFON PRİZİ / TLP. SOCKET (RJ 12)	0,016
DP 104	DATA PRİZİ / DATA SOCKET (RJ 45)	0,016
DP 105	DATA PRİZ TAŞIYICI / DATA SOCKET SUP.	0,010

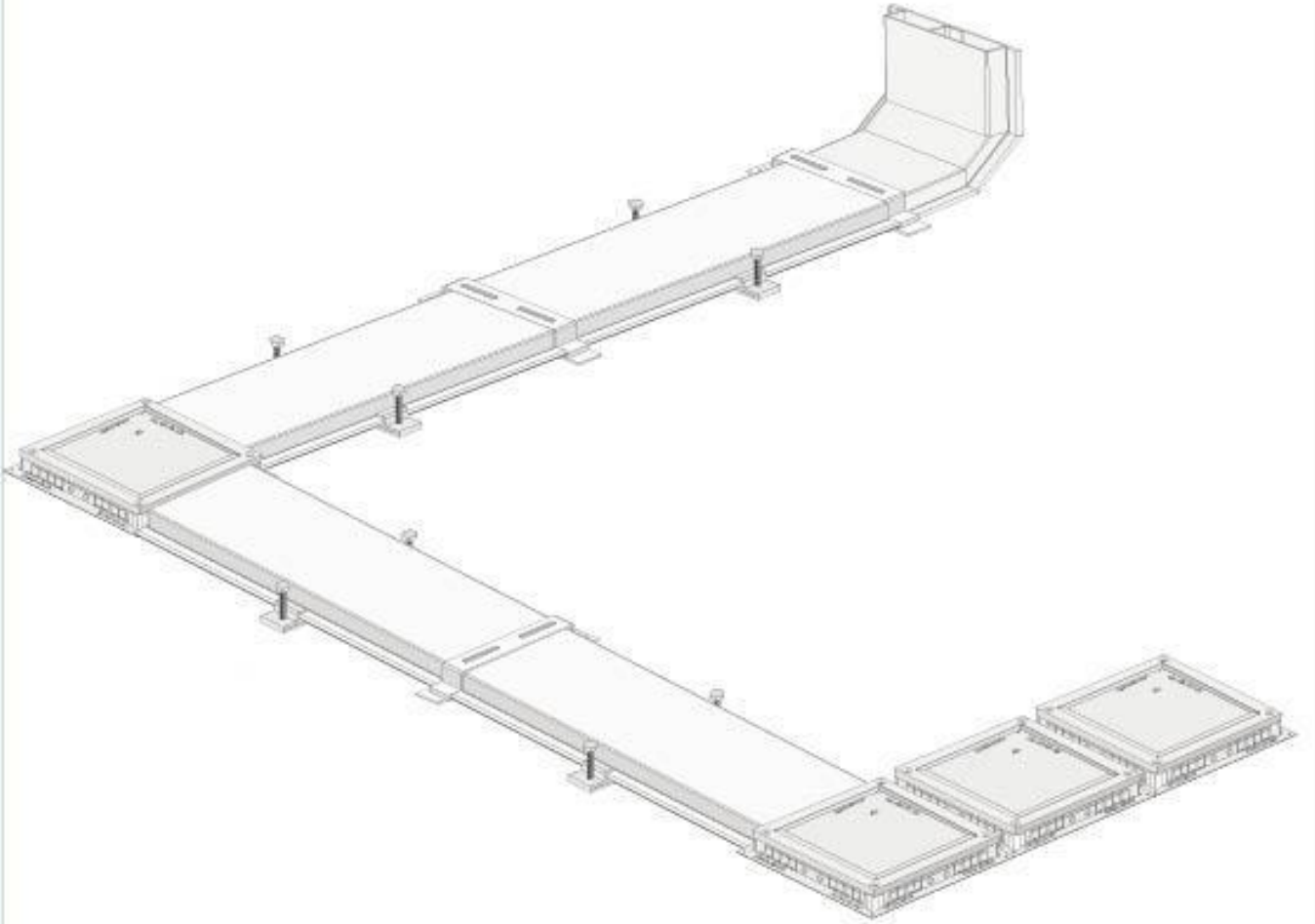


KIZAKLI P TİP PRİZLER SOCKETS

SİP. KODU (Order Code)		kg/ad. (kg/pce.)
DP 201	UPS PRİZ / UPS SOCKET	0,036
DP 202	TOPRAKLI PRİZ / POWER SOCKET	0,032
DP 203	TELEFON PRİZİ / TLP. SOCKET (RJ 12)	0,016
DP 204	DATA PRİZİ / DATA SOCKET (RJ 45)	0,016
DP 205	DATA PRİZ TAŞIYICI / DATA SOCKET SUP.	0,010



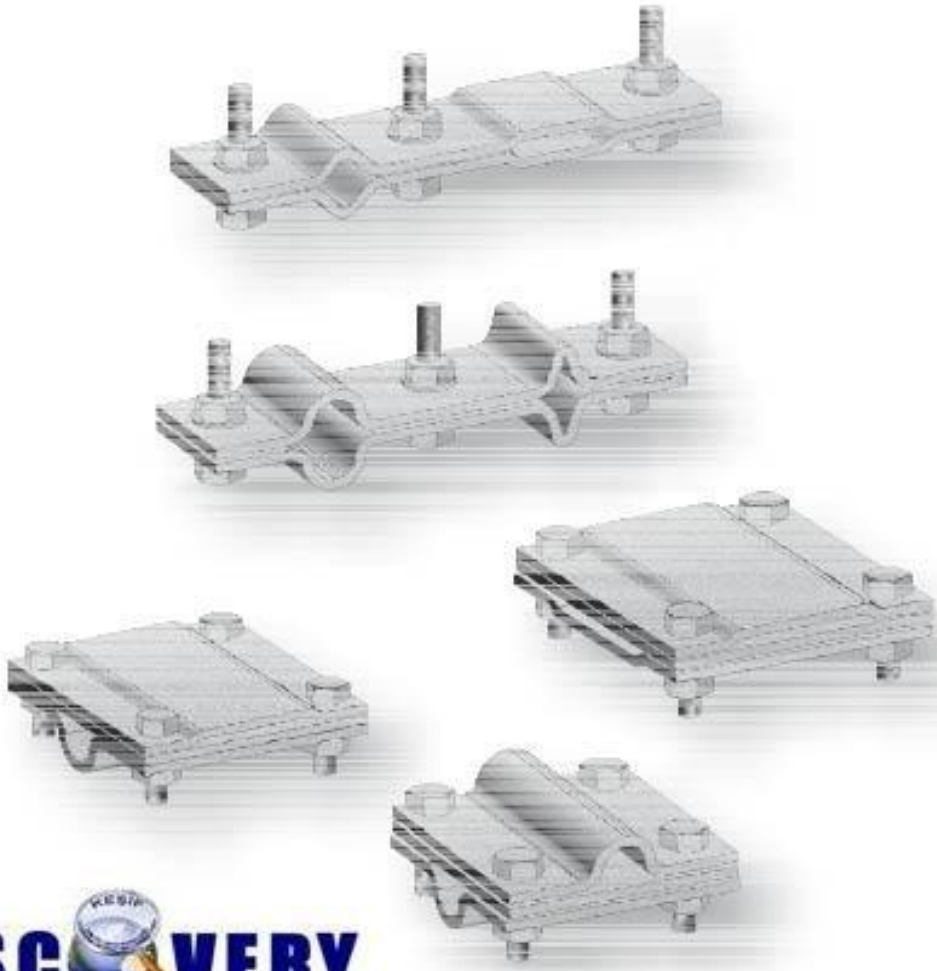
DISCOVERY



Yüzey koruma:
Pregalvaniz TS 822

BAĞLANTI ELEMANLARI CONNECTION UNITS

BAĞLANTI



DISCOVERY

LAMA İNŞAAT DEMİRİ YATAY BAĞLANTI ELEMANI
HORIZONTAL CONNECTOR FOR STRUCTURAL IRON AND BAR.

SİP. KODU (Order Code)	Φ (mm)	a (mm)	e (mm)	kg/ad. (kg/pce.)
YB 400	8	30	2,00	0,275
YB 401	14	30	2,00	0,275
YB 402	16	30	2,00	0,275
YB 403	20	30	2,00	0,275
YB 404	8	40	2,00	0,315
YB 405	14	40	2,00	0,315
YB 406	16	40	2,00	0,315
YB 407	20	40	2,00	0,315



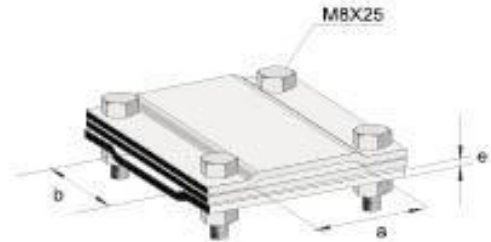
DISCOVERY

LAMA İNŞAAT DEMİRİ YATAY BAĞLANTI ELEMANI
VERTICAL CONNECTOR FOR STRUCTURAL IRON AND BAR.

SİP. KODU (Order Code)	Φ (mm)	a (mm)	e (mm)	kg/ad. (kg/pce.)
TB 400	8	30	2,00	0,275
TB 401	14	30	2,00	0,275
TB 402	16	30	2,00	0,275
TB 403	20	30	2,00	0,275
TB 404	8	40	2,00	0,315
TB 405	14	40	2,00	0,315
TB 406	16	40	2,00	0,315
TB 407	20	40	2,00	0,315

BAĞLANTI KLEMENSİ (GALVANİZ)
FIXING CLAMP (GALVANIZED)

SİP. KODU (Order Code)	a (mm)	a (mm)	e (mm)	kg/ad. (kg/pce.)
EK 700	30	30	2,00	0,300
EK 701	30	40	2,00	0,400
EK 702	40	40	2,00	0,400



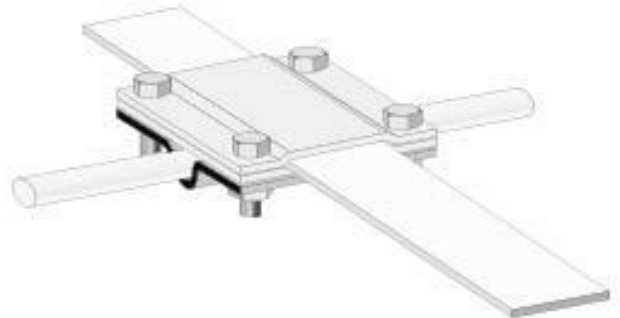
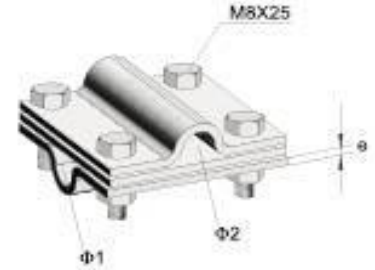
BAĞLANTI ELEMANLARI CONNECTION UNITS

BAĞLANTI KLEMENSİ (GALVANİZ) FIXING CLAMP (GALVANIZED)

SİP. KODU (Order Code)	Φ (mm)	a (mm)	e (mm)	kg/ad. (kg/pce.)
KS 800	8	30	2,00	0,315
KS 801	14	30	2,00	0,315
KS 802	16	30	2,00	0,315
KS 803	20	30	2,00	0,315
KS 804	8	40	2,00	0,415
KS 805	14	40	2,00	0,415
KS 806	16	40	2,00	0,415
KS 807	20	40	2,00	0,415

BAĞLANTI KLEMENSİ (GALVANİZ) FIXING CLAMP (GALVANIZED)

SİP. KODU (Order Code)	$\Phi 1$ (mm)	$\Phi 2$ (mm)	e (mm)	kg/ad. (kg/pce.)
KS 600	8	8	2,00	0,550
KS 601	8	14	2,00	0,550
KS 602	8	16	2,00	0,550
KS 603	8	20	2,00	0,550
KS 604	14	14	2,00	0,550
KS 605	14	16	2,00	0,550
KS 606	14	20	2,00	0,550
KS 607	16	16	2,00	0,550
KS 608	16	20	2,00	0,550
KS 609	20	20	2,00	0,550



DISCOVERY

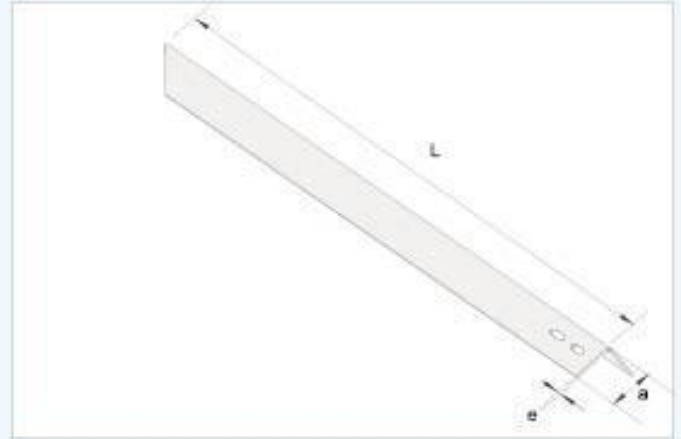
DISCOVERY

GALVANİZ TOPRAKLAMA LEVHASI
GALVANIZED EARTHING STREET

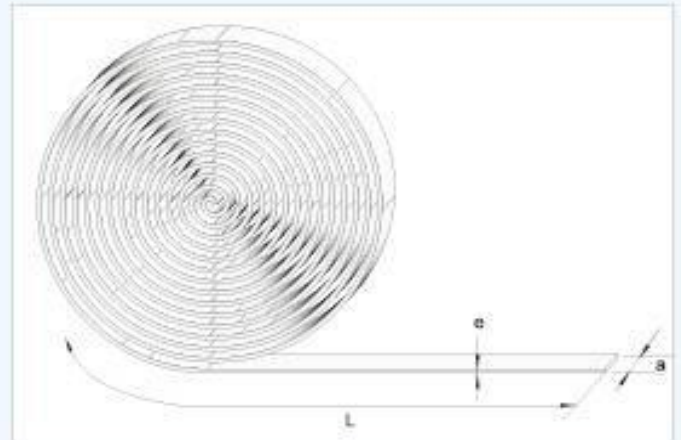
SİP. KODU (Order Code)	a (mm)	b (mm)	e (mm)	kg/ad. (kg/pce.)
GL 100	50	100	1,00	4,450
GL 101	50	100	1,50	6,550
GL 102	50	100	2,00	8,550
GL 103	50	100	3,00	12,450

KÖŞEBENT KAZIK
ANGLE IRON

SİP. KODU (Order Code)	a (mm)	L (mm)	e (mm)	kg/ad. (kg/pce.)
GK 200	40	1500	4,00	4,150
GK 201	50	1500	5,00	6,250
GK 202	60	1500	6,00	8,850

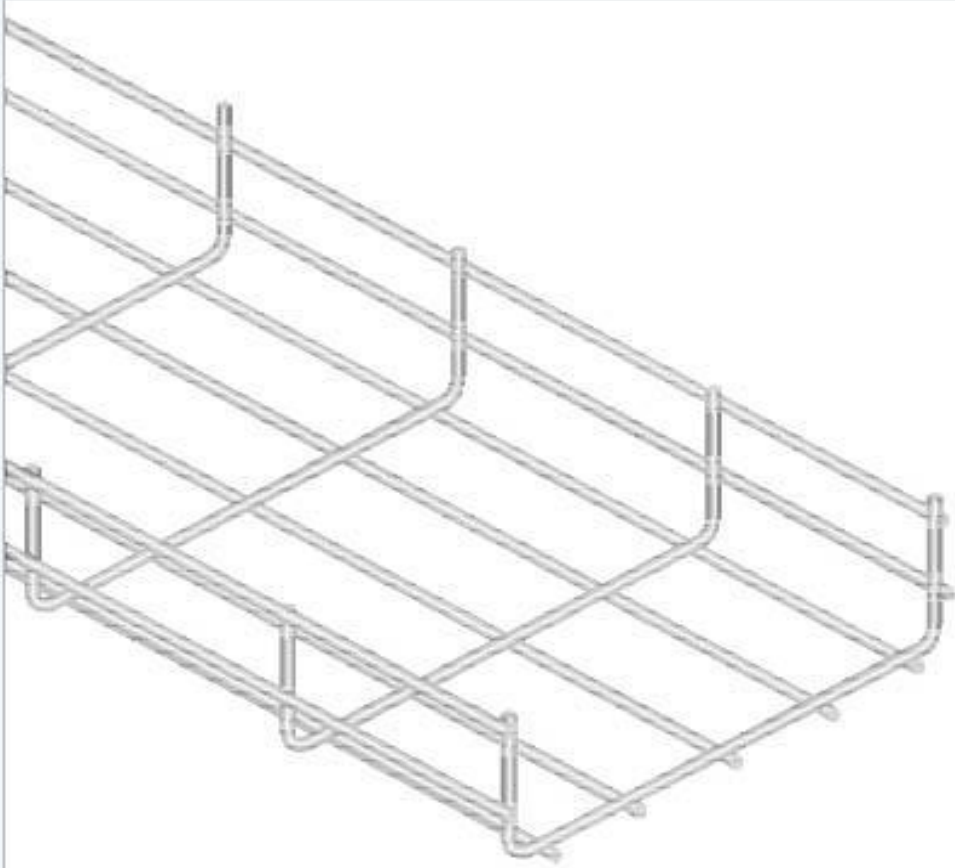
GALVANİZ TOPRAKLAMA ŞERİDİ RULO
GALVANIZED EARTHING TAPE

SİP. KODU (Order Code)	a (mm)	L (mm)	e (mm)	kg/mt (kg/mt)
GS 300	30	25 000	3,00	0,780
GS 301	40	25 000	4,00	1,280



TEL ÖRGÜ KANALLARI MESH WIRE TRAYS

TEL ÖRGÜ



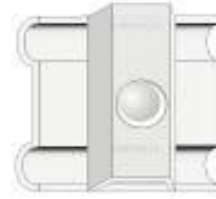
DISC  **VERY**

TEL ÖRGÜ KANALLARI MESH WIRE TRAYS



TEL ÖRGÜ KANALLARI AKSESUARLARI MESH WIRE CABLE TRAYS ACCESSORIES

SİP. KODU (Order Code)	ϕ (mm)	e (mm)	kg/ad. kg/pce.
TK-1		2,0	0.100
TK-2		2,0	0.060
TK-3	6,0	2,0	0.030
TK-4			0.020



STS TK-1



STS TK-2



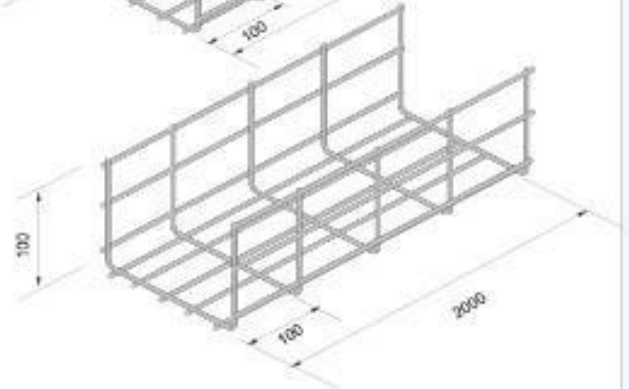
STS TK-3



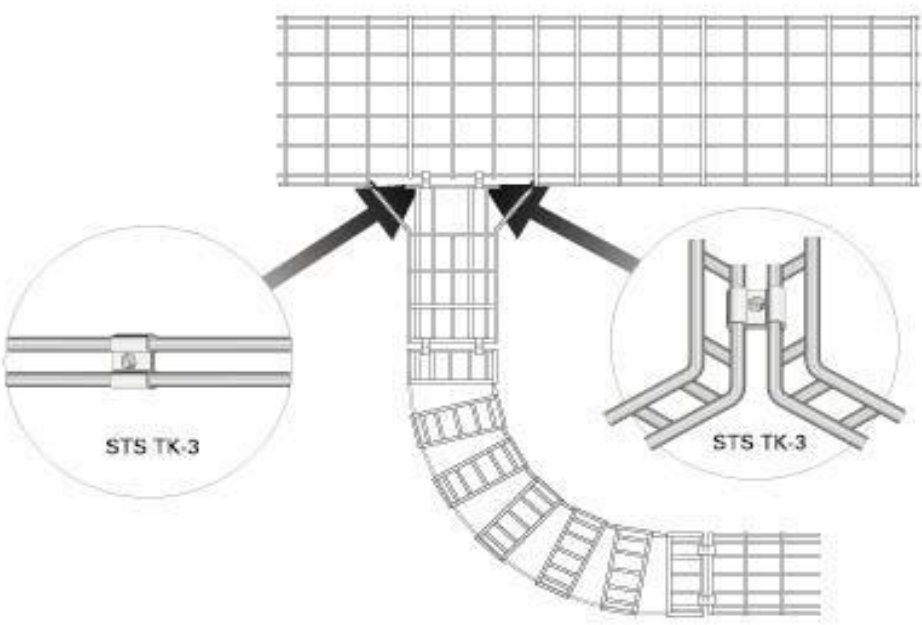
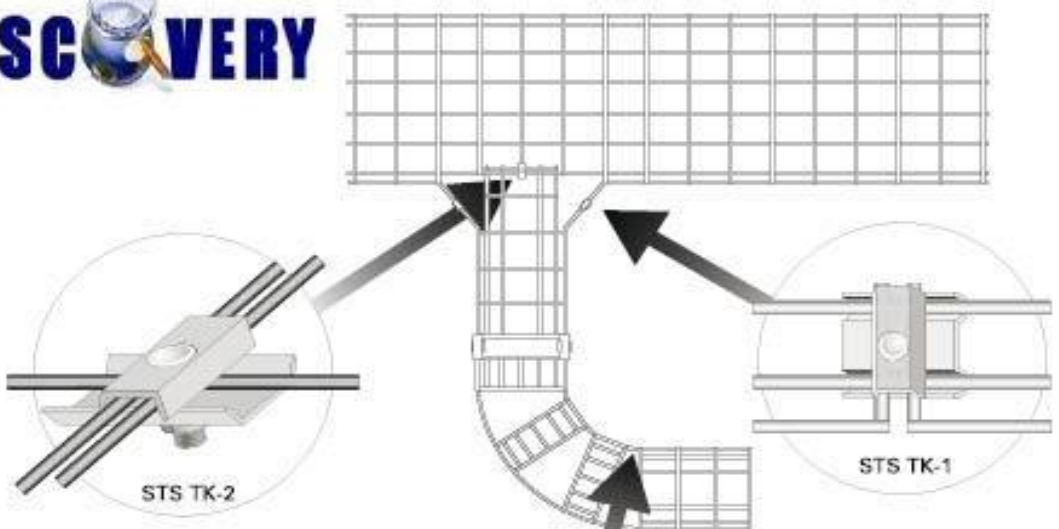
STS TK-4

TEL ÖRGÜ KABLO KANALLARI MESH WIRE CABLE TRAYS

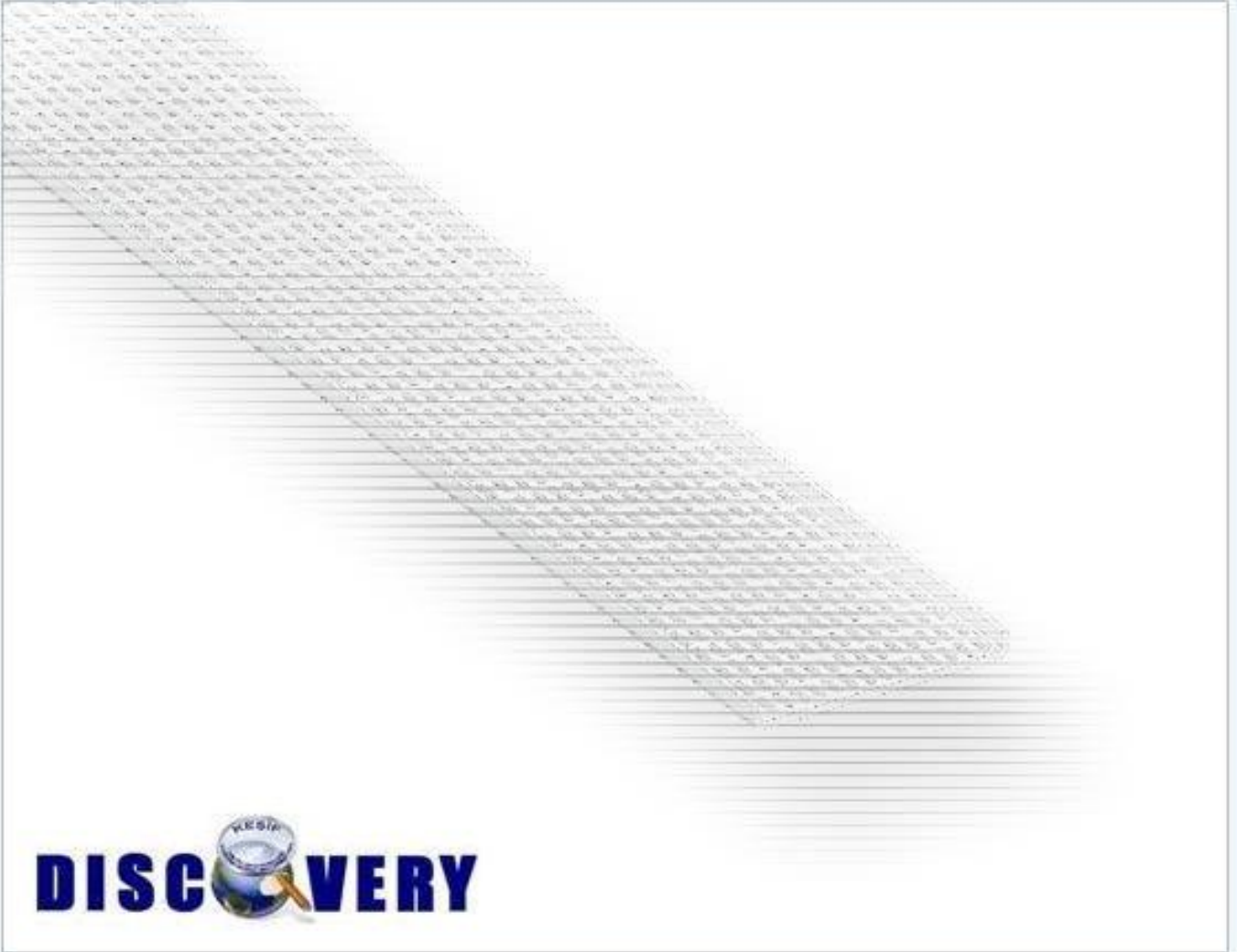
SİP. KODU (Order Code)	a (mm)	ϕ (mm)	kg/mt (kg/mt)
TK 15-4050	150	4	1.050
TK 20-4050	200	4	1.160
TK 25-4050	250	4	1.450
TK 30-5050	300	5	2.450
TK 40-5050	400	5	3.050
TK 50-5050	500	5	3.650
TK 60-10040	600	5	4.250
TK 15-10040	150	4	1.450
TK 20-10040	200	4	1.550
TK 25-10040	250	4	1.820
TK 30-10050	300	5	3.050
TK 40-10050	400	5	3.680
TK 50-10050	500	5	4.250
TK 60-10050	600	5	4.900



MONTAJ ÖRNEKLERİ
MOUNTING EXAMPLES



GEMİ TİPİ KABLO KANALLARI MARINE TYPE CABLE TRAYS



DISCOVERY

Yüzey koruma:

Sıcak daldırma galvaniz TS 914

Beyaz elektro galvaniz TS 149

Sarı elektro galvaniz TS 149

Elektrostatik toz boya

GEMİ TİPİ KABLO KANALLARI MARINE TYPE CABLE TRAYS



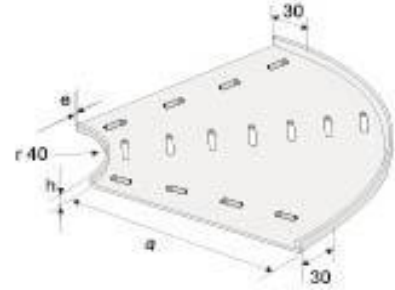
DISCOVERY

DELİKLİ KABLO KANALLARI PERFORATED CABLE TRAYS

SİP. KODU (Order Code)	a (mm)	h (mm)	e (mm)	kg/mt (kg/mt)
-G05-10	50	15	1,0	0,520
-G07-10	70	15	1,0	0,640
-G10-10	100	15	1,0	0,840
-G12-10	120	15	1,0	0,985
-G15-10	150	15	1,0	1,188
-G20-10	200	15	1,5	2,210
-G25-10	250	15	1,5	2,742
-G30-10	300	15	1,5	3,242
-GH05-10	50	30	1,0	0,760
-GH07-10	70	30	1,0	0,880
-GH10-10	100	30	1,0	1,080
-GH12-10	120	30	1,0	1,088
-GH15-10	150	30	1,0	1,390
-GH20-10	200	30	1,5	2,570
-GH25-10	250	30	1,5	3,042
-GH30-10	300	30	1,5	3,543

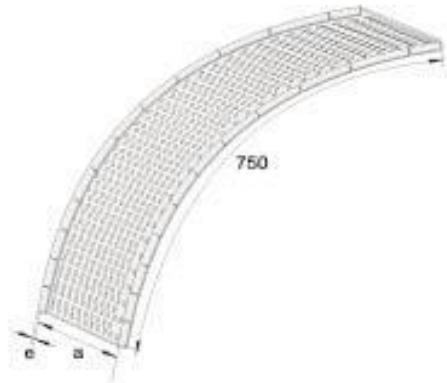
DELİKLİ KABLO KANALI 90° DÖNÜŞ ELEMANI HORIZONTAL BENDS 90°

SİP. KODU (Order Code)	a (mm)	h (mm)	e (mm)	kg/ad. (kg/pce.)
-G105-15	55	15	1,5	0,130
-G107-15	75	15	1,5	0,190
-G110-15	105	15	1,5	0,300
-G112-15	125	15	1,5	0,390
-G115-15	155	15	2,0	0,730
-G120-15	205	15	2,0	1,150
-G125-15	255	15	2,0	1,670
-G130-15	305	15	2,0	2,290
-GH105-15	55	30	1,5	0,150
-GH107-15	75	30	1,5	0,220
-GH110-15	105	30	1,5	0,350
-GH112-15	125	30	1,5	0,460
-GH115-15	155	30	2,0	0,850
-GH120-15	205	30	2,0	1,340
-GH125-15	255	30	2,0	1,950
-GH130-15	305	30	2,0	2,670



DELİKLİ KABLO KANALI BÜKEY DÖNÜŞÜ VERTICAL BENDS 90°

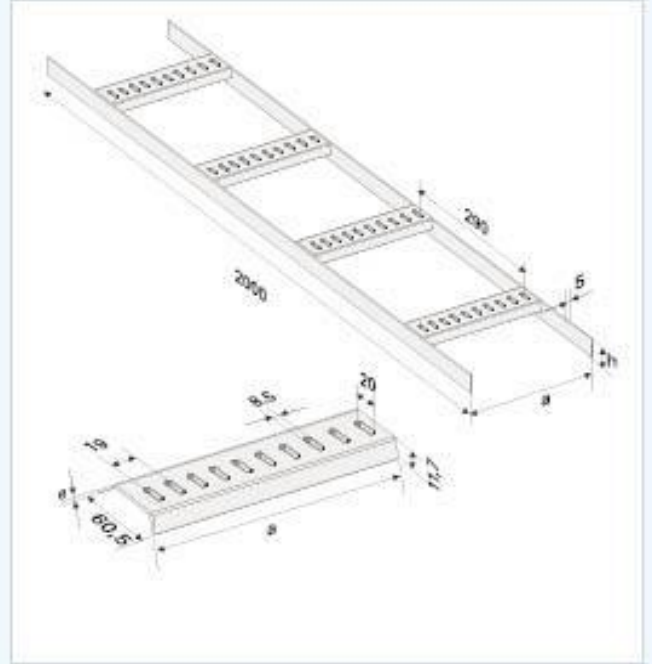
SİP. KODU (Order Code)	a (mm)	h (mm)	e (mm)	kg/ad. (kg/pce.)
G505-15	50	15	1,0	0,390
G507-15	70	15	1,0	0,480
G510-15	100	15	1,0	0,630
G512-15	120	15	1,5	0,730
G515-20	150	15	1,5	0,090
G520-20	200	15	1,5	1,650
G525-20	250	15	2,0	2,050
G530-20	300	15	2,0	2,430
GH505-15	50	30	1,0	0,570
GH507-15	70	30	1,0	0,660
GH510-15	100	30	1,0	0,810
GH512-15	120	30	1,5	0,890
GH515-20	150	30	1,5	1,040
GH520-20	200	30	1,5	1,920
GH525-20	250	30	2,0	2,280
GH530-20	300	30	2,0	2,650



GEMİ TİPİ KABLO KANALLARI MARINE TYPE CABLE TRAYS

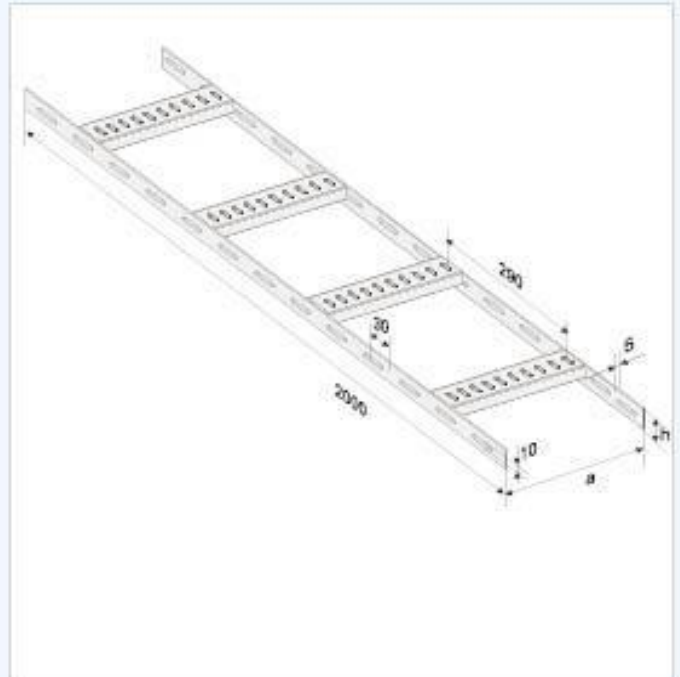
KABLO MERDİVENİ CABLE LADDERS

SİP. KODU (Order Code)	a (mm)	h (mm)	e (mm)	kg/mt (kg/mt)
GM10-415	100	40	1,5	3,510
GM20-415	200	40	1,5	3,710
GM30-415	300	40	1,5	3,990
GM40-420	400	40	2,0	4,590
GM50-420	500	40	2,0	4,940
GM60-420	600	40	2,0	5,290
GM10-515	100	50	1,5	4,300
GM20-515	200	50	1,5	4,540
GM30-515	300	50	1,5	4,780
GM40-520	400	50	2,0	5,390
GM50-520	500	50	2,0	5,740
GM60-520	600	50	2,0	6,090



DELİKLİ KABLO MERDİVENİ PERFORATED CABLE LADDERS

SİP. KODU (Order Code)	a (mm)	h (mm)	e (mm)	kg/mt (kg/mt)
DM10-415	100	40	1,5	2,950
DM20-415	200	40	1,5	3,190
DM30-415	300	40	1,5	3,430
DM40-420	400	40	2,0	4,030
DM50-420	500	40	2,0	4,380
DM60-420	600	40	2,0	4,730
DM10-515	100	50	1,5	3,600
DM20-515	200	50	1,5	3,840
DM30-515	300	50	1,5	4,080
DM40-520	400	50	2,0	4,690
DM50-520	500	50	2,0	5,040
DM60-520	600	50	2,0	5,390

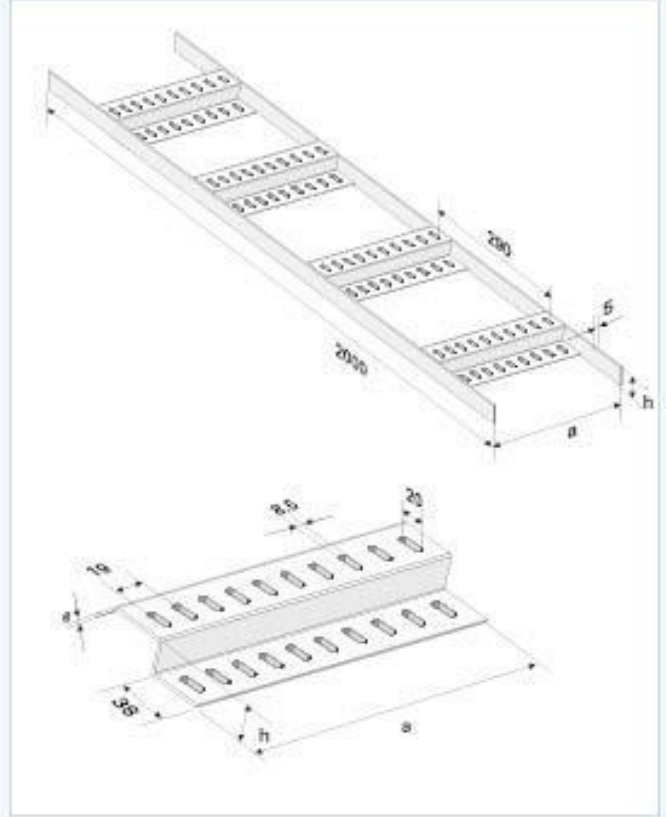




GEMİ TİPİ KABLO KANALLARI MARINE TYPE CABLE TRAYS

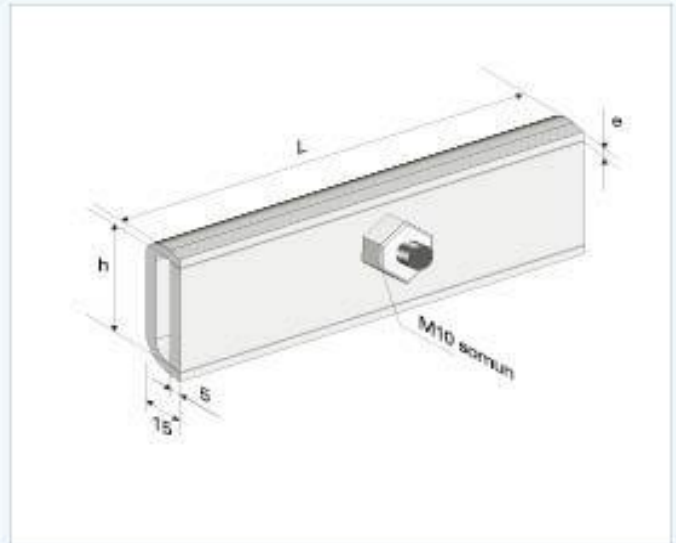
SİMETRİK KABLO MERDİVENİ SIMETRIC CABLE LADDERS

SİP. KODU (Order Code)	a (mm)	h (mm)	e (mm)	kg/mt (kg/mt)
SM10-415	100	40	1,5	4,010
SM20-415	200	40	1,5	4,250
SM30-415	300	40	1,5	4,490
SM40-420	400	40	2,0	5,250
SM50-420	500	40	2,0	5,600
SM60-420	600	40	2,0	5,950
SM10-515	100	50	1,5	4,880
SM20-515	200	50	1,5	5,120
SM30-515	300	50	1,5	5,360
SM40-520	400	50	2,0	6,170
SM50-520	500	50	2,0	6,520
SM60-520	600	50	2,0	6,870



KABLO MERDİVENİ EK PARÇASI CABLE LADDERS STRAIGHT CONNECTORS

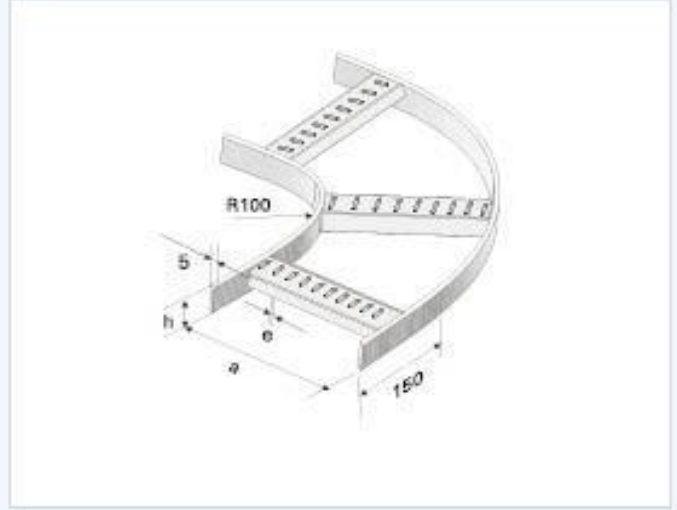
SİP. KODU (Order Code)	L (mm)	h (mm)	e (mm)	kg/ad. (kg/pce.)
G1-4	150	40	4,0	0,600
G1-5	150	50	4,0	0,700



GEMİ TİPİ KABLO KANALLARI MARINE TYPE CABLE TRAYS

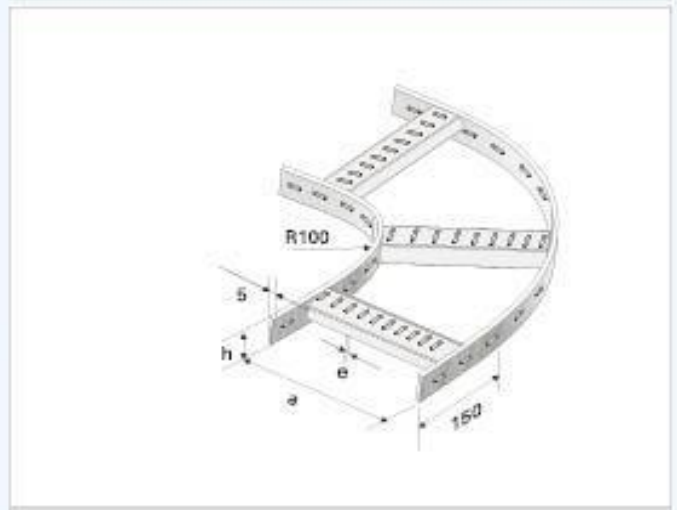
DELİKLİ KABLO MERDİVENİ KÖŞE DÖNÜŞLERİ PERFORATED CABLE LADDERS HORIZONTAL BENDS 90°

SİP. KODU (Order Code)	a (mm)	h (mm)	e (mm)	kg/ad. (kg/pce.)
GM10-415	100	40	1,5	1,970
GM20-415	200	40	1,5	2,430
GM30-415	300	40	1,5	2,890
GM40-420	400	40	2,0	3,650
GM50-420	500	40	2,0	4,210
GM60-420	600	40	2,0	4,760
SM10-515	100	50	1,5	2,410
SM20-515	200	50	1,5	2,930
SM30-515	300	50	1,5	3,450
SM40-520	400	50	2,0	4,270
SM50-520	500	50	2,0	4,900
SM60-520	600	50	2,0	5,510



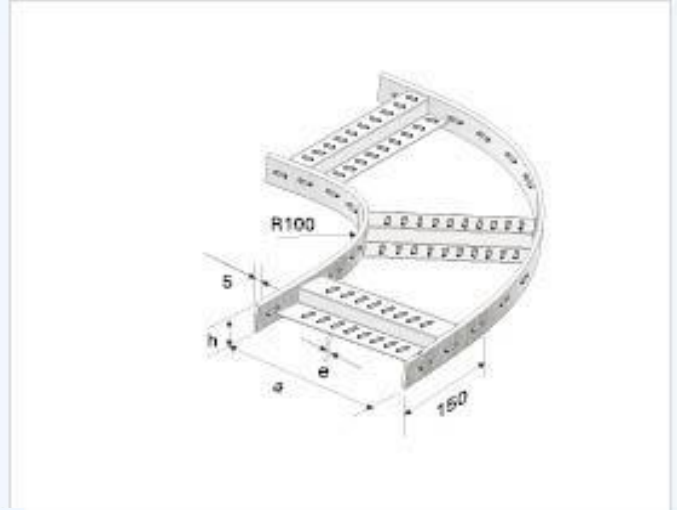
DELİKLİ KABLO MERDİVENİ KÖŞE DÖNÜŞLERİ PERFORATED CABLE LADDERS HORIZONTAL BENDS 90°

SİP. KODU (Order Code)	a (mm)	h (mm)	e (mm)	kg/ad. (kg/pce.)
DM10-415	100	40	1,5	1,540
DM20-415	200	40	1,5	1,820
DM30-415	300	40	1,5	2,100
DM40-420	400	40	2,0	2,470
DM50-420	500	40	2,0	2,800
DM60-420	600	40	2,0	3,100
DM10-515	100	50	1,5	1,910
DM20-515	200	50	1,5	2,240
DM30-515	300	50	1,5	2,560
DM40-520	400	50	2,0	2,990
DM50-520	500	50	2,0	3,380
DM60-520	600	50	2,0	3,730



SİMETRİK KABLO MERDİVENİ KÖŞE DÖNÜŞLERİ SIMMETRIC CABLE LADDERS HORIZONTAL BENDS 90°

SİP. KODU (Order Code)	a (mm)	h (mm)	e (mm)	kg/ad. (kg/pce.)
SM10-415	100	40	1,5	2,710
SM20-415	200	40	1,5	3,170
SM30-415	300	40	1,5	3,630
SM40-420	400	40	2,0	4,640
SM50-420	500	40	2,0	5,200
SM60-420	600	40	2,0	5,750
SM10-515	100	50	1,5	3,230
SM20-515	200	50	1,5	3,750
SM30-515	300	50	1,5	4,270
SM40-520	400	50	2,0	5,360
SM50-520	500	50	2,0	5,990
SM60-520	600	50	2,0	6,600

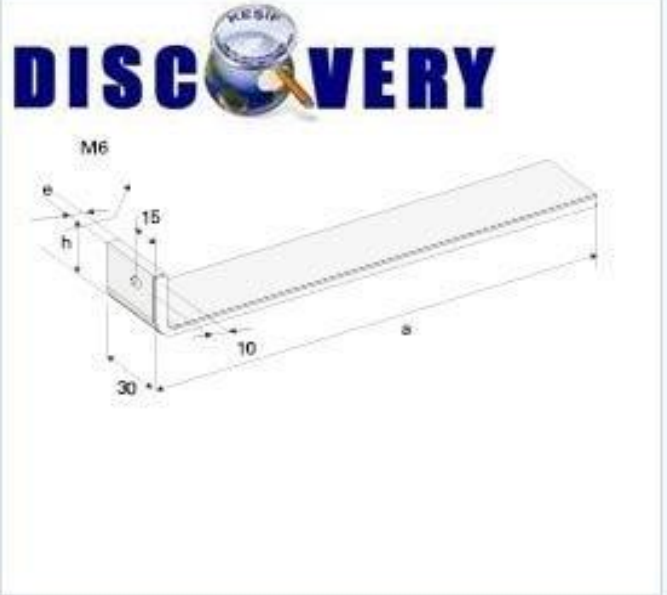


GEMİ TİPİ KABLO KANALLARI MARINE TYPE CABLE TRAYS

GEMİ

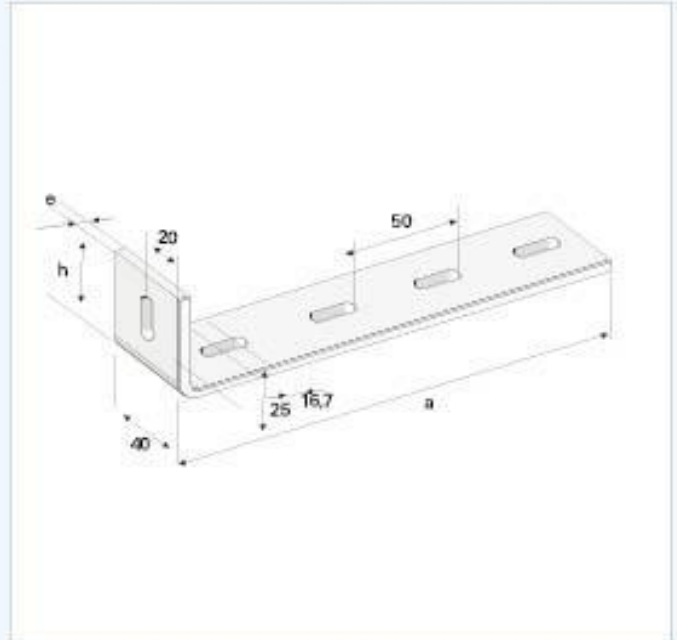
L ASKI AYIĞI TRAY HANGING SUPPORT

SİP. KODU (Order Code)	h (mm)	a (mm)	e (mm)	kg/ad. (kg/pce.)
.LA10-30	30	100	5.0	0,150
.LA20-30	30	200	5.0	0,270
.LA30-30	30	300	5.0	0,390
.LA40-30	30	400	5.0	0,510
.LA50-30	30	500	5.0	0,630
.LA60-30	30	600	5.0	0,750



DELİKLİ L ASKI AYIĞI TRAY HANGING PERFORATED SUPPORT

SİP. KODU (Order Code)	h (mm)	a (mm)	e (mm)	kg/ad. (kg/pce.)
.DLA10-50	50	100	5.0	0,210
.DLA20-50	50	200	5.0	0,350
.DLA30-50	50	300	5.0	0,490
.DLA40-50	50	400	5.0	0,630
.DLA50-50	50	500	5.0	0,770
.DLA60-50	50	600	5.0	0,910

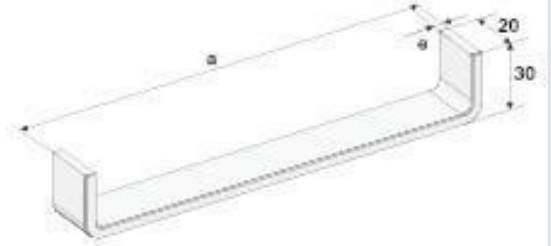


GEMİ TİPİ KABLO KANALLARI MARINE TYPE CABLE TRAYS

DAR U KONSOL NARROW U BRACKET

SİP. KODU (Order Code)	h (mm)	a (mm)	e (mm)	kg/ad. (kg/pce.)
UK10-20	30	100	5.0	0,120
UK20-20	30	200	5.0	0,200
UK30-20	30	300	5.0	0,280
UK40-20	30	400	5.0	0,360
UK50-20	30	500	5.0	0,440
UK60-20	30	600	5.0	0,520

DISCOVERY



U KONSOL U BRACKET

SİP. KODU (Order Code)	h (mm)	a (mm)	e (mm)	kg/ad. (kg/pce.)
UK10-30	30	100	5.0	0,170
UK20-30	30	200	5.0	0,290
UK30-30	30	300	5.0	0,410
UK40-30	30	400	5.0	0,530
UK50-30	30	500	5.0	0,650
UK60-30	30	600	5.0	0,770

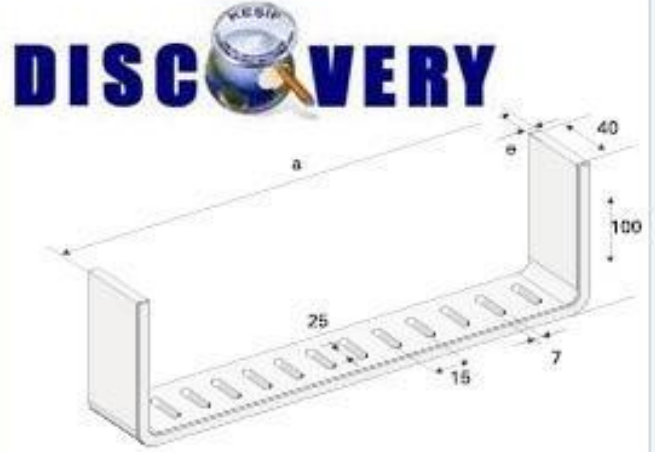


GEMİ TİPİ KABLO KANALLARI MARINE TYPE CABLE TRAYS

GEMİ

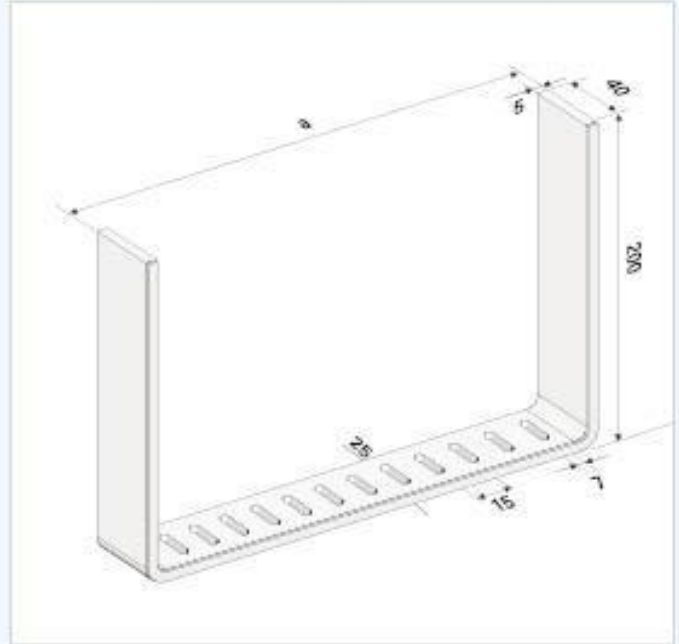
DELİKLİ U KONSOL PERFORATED U BRACKET

SİP. KODU (Order Code)	h (mm)	a (mm)	e (mm)	kg/ad. (kg/pce.)
DUK10-10	100	100	5.0	0.420
DUK20-10	100	200	5.0	0.540
DUK30-10	100	300	5.0	0.660
DUK40-10	100	400	5.0	0.780
DUK50-10	100	500	5.0	0.900
DUK60-10	100	600	5.0	1.020



DELİKLİ UZUN U KONSOL PERFORATED U LONG BRACKET

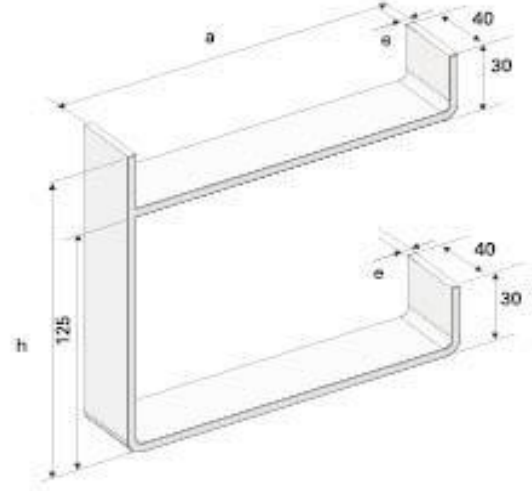
SİP. KODU (Order Code)	h (mm)	a (mm)	e (mm)	kg/ad. (kg/pce.)
DUK10-20	200	100	5.0	0,730
DUK20-20	200	200	5.0	0,850
DUK30-20	200	300	5.0	0,970
DUK40-20	200	400	5.0	1,090
DUK50-20	200	500	5.0	1,210
DUK60-20	200	600	5.0	1,330



GEMİ TİPİ KABLO KANALLARI MARINE TYPE CABLE TRAYS

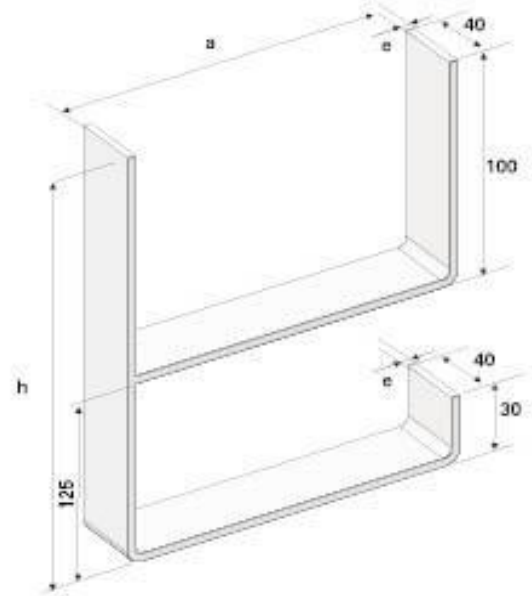
Y KONSOL Y TYPE BRACKET

SİP. KODU (Order Code)	h (mm)	a (mm)	e (mm)	kg/ad. (kg/pce.)
YK10-15	155	100	5.0	0,600
YK20-15	155	200	5.0	0,920
YK30-15	155	300	5.0	1,240
YK40-15	155	400	5.0	1,560
YK50-15	155	500	5.0	1,880
YK60-15	155	600	5.0	2,200



UZUN Y KONSOL Y TYPE LONG BRACKET

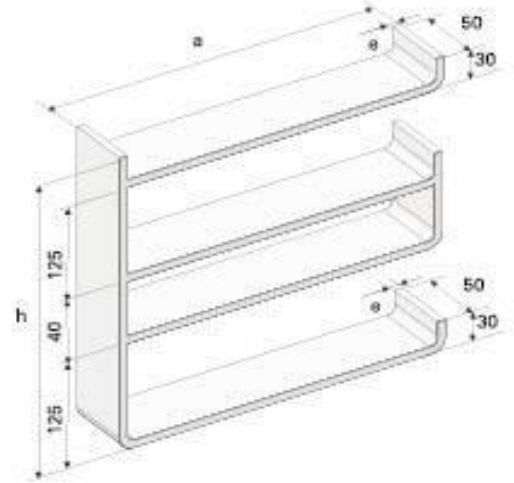
SİP. KODU (Order Code)	h (mm)	a (mm)	e (mm)	kg/mt (kg/mt)
YK10-25	255	100	5.0	0,820
YK20-25	255	200	5.0	1,140
YK30-25	255	300	5.0	1,460
YK40-25	255	400	5.0	1,780
YK50-25	255	500	5.0	2,100
YK60-25	255	600	5.0	2,420



GEMİ TİPİ KABLO KANALLARI MARINE TYPE CABLE TRAYS

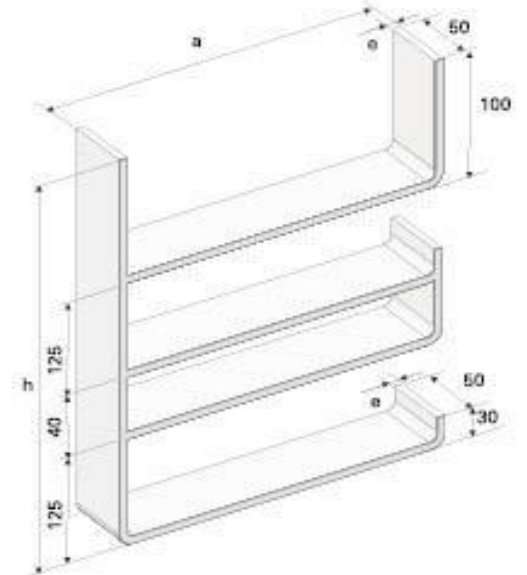
E KONSOL E TYPE BRACKET

SİP. KODU (Order Code)	h (mm)	a (mm)	e (mm)	kg/ad. (kg/pce.)
EK10-32	320	100	5.0	1,750
EK20-32	320	200	5.0	2,350
EK30-32	320	300	5.0	2,950
EK40-32	320	400	5.0	3,550
EK50-32	320	500	5.0	4,150
EK60-32	320	600	5.0	4,750



UZUN E KONSOL E TYPE LONG BRACKET

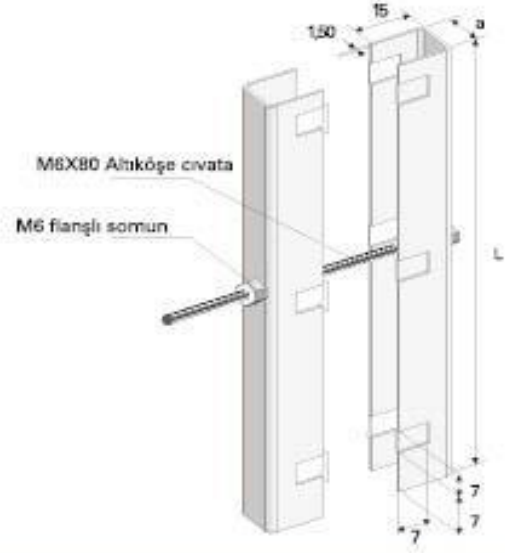
SİP. KODU (Order Code)	h (mm)	a (mm)	e (mm)	kg/ad. (kg/pce.)
EK10-39	390	100	5.0	2,030
EK20-39	390	200	5.0	2,630
EK30-39	390	300	5.0	3,230
EK40-39	390	400	5.0	3,830
EK50-39	390	500	5.0	4,430
EK60-39	390	600	5.0	5,030



GEMİ TİPİ KABLO KANALLARI MARINE TYPE CABLE TRAYS

F KONSOL KELEPÇESİ CLAMPS FOR F TYPE BRACKET

SİP. KODU (Order Code)	L (mm)	a (mm)	e (mm)	kg/ad. (kg/pce.)
FKK-1	155	15	1.5	0.160



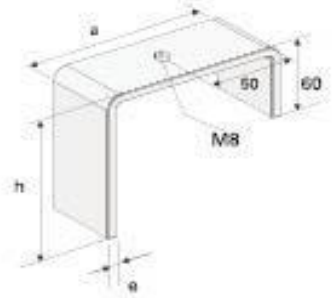
ŞAPKALI L ASKI AYIĞI L TYPE HUNGING SUPPORT

SİP. KODU (Order Code)	a (mm)	e (mm)	kg/ad. (kg/pce.)
AA10	100	5,0	0,270
AA20	200	5,0	0,390
AA30	300	5,0	0,510
AA40	400	5,0	0,630
AA50	500	5,0	0,750
AA60	600	5,0	0,870



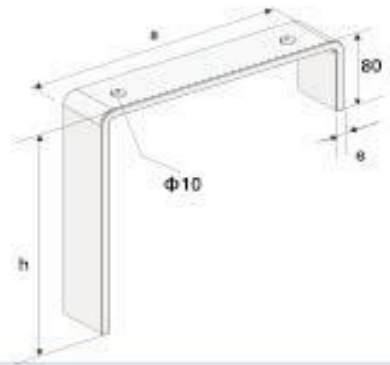
LAMBA AYIĞI SUPPORT FOR LAMP

SİP. KODU (Order Code)	h (mm)	a (mm)	e (mm)	kg/ad. (kg/pce.)
LA-1	100	100	5.0	0.490



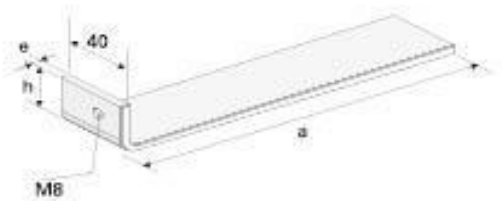
HARİCİ LAMBA AYIĞI SUPPORT FOR EXTERNAL LAMP

SİP. KODU (Order Code)	h (mm)	a (mm)	e (mm)	kg/ad. (kg/pce.)
HLA-1	200	100	5.0	0.630



PANO AYIĞI SUPPORT FOR CONTROL PANEL

SİP. KODU (Order Code)	h (mm)	a (mm)	e (mm)	kg/ad. (kg/pce.)
PA1-100	30	100	5.0	0.200
PA1-200	30	100	5.0	0,360
PA1-300	30	100	5.0	0,520
PA1-400	30	100	5.0	0,680
PA1-500	30	100	5.0	0,840
PA1-600	30	100	5.0	1,000



DISCOVERY

Foreign Trade Consultants & Marketing Solutions

Contact Detail:



Head Office Tel : +90 216 483 3565 Web Site : www.discovery-trd.com

Head Office Fax: +90 216 483 3526 E-Mails : og@discovery-trd.com

Mobile Number : +90 554 625 0015

Mobile Number : +90 532 611 2094

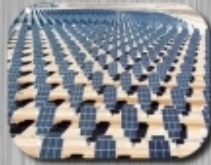
og_jo@discovery-trd.com

discovery@discovery-trd.com

bersan@discovery-trd.com

ahmet@discovery-trd.com

ilyas@discovery-trd.com



KEŞİF DİŞ TİCARET VE PAZARLAMA ÇÖZÜMLERİ

Aydınlı Yolu Cad. Bahçelievler Mah. Eryetis Sitesi B/Blok No: 33 Kat: 6 Daire: 21 Pendik - İstanbul

Tel: 0090 216 483 35 65 Fax: 0090 216 483 35 26

www.discovery-trd.com email: dscovey@discovery-trd.com